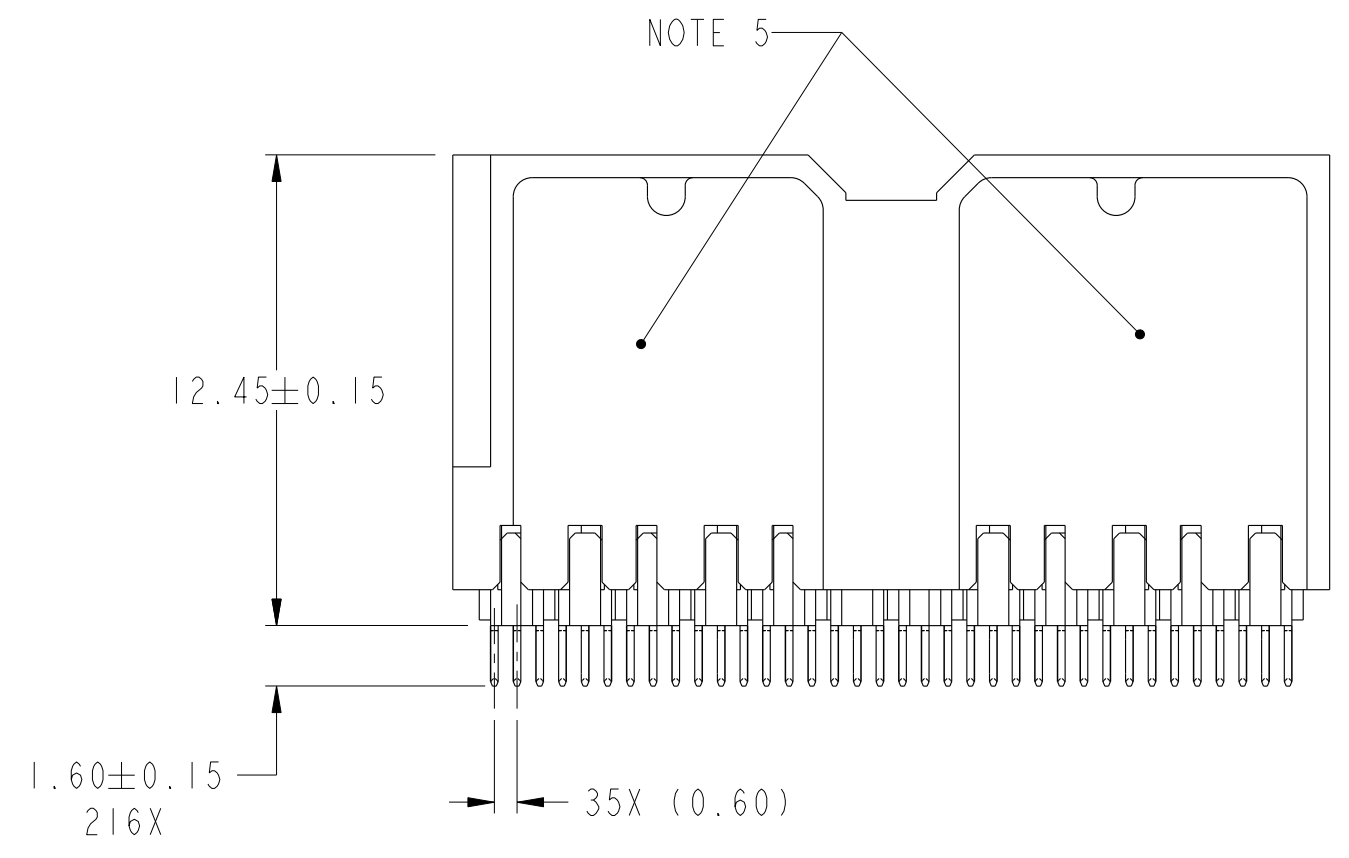
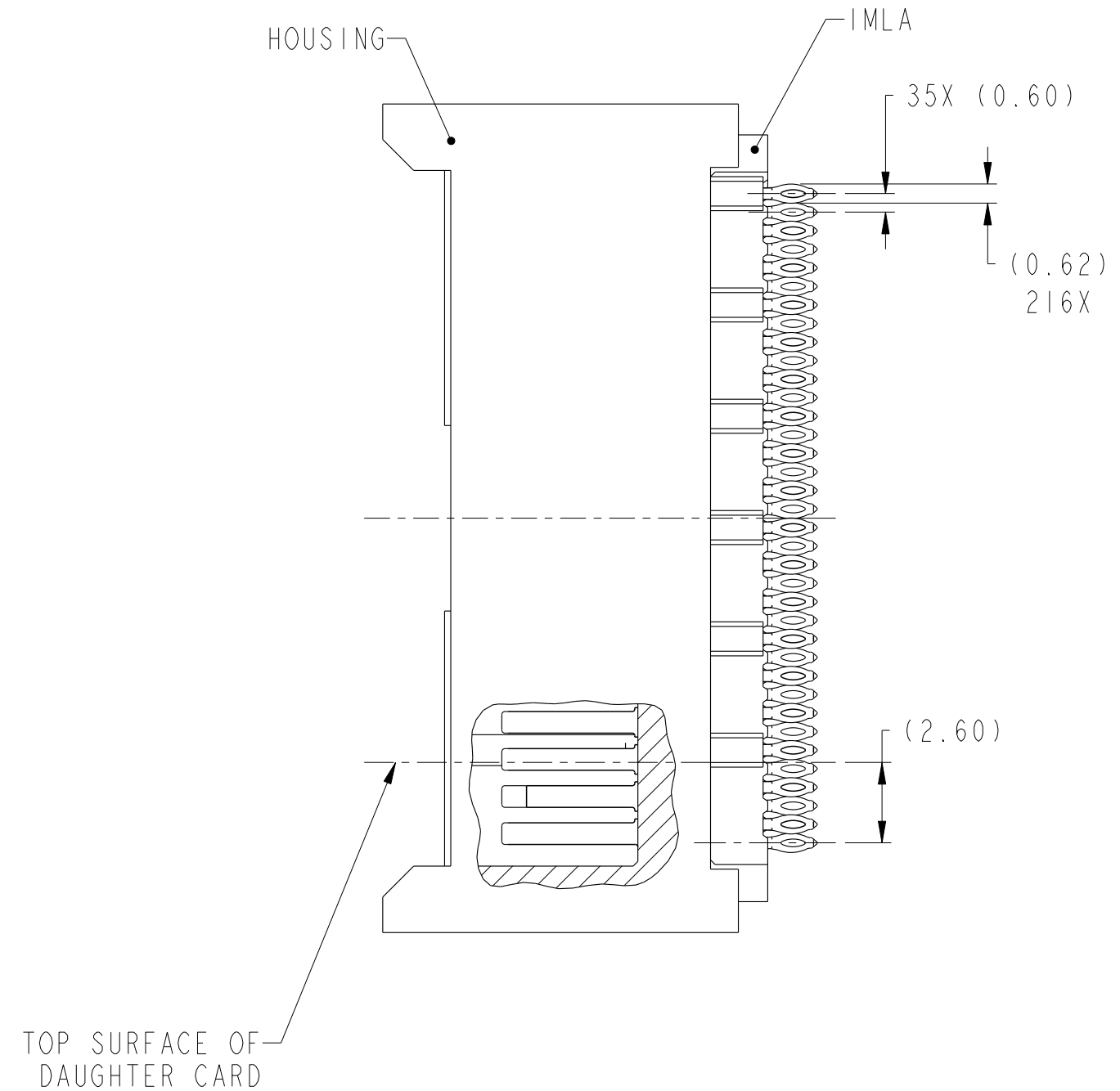
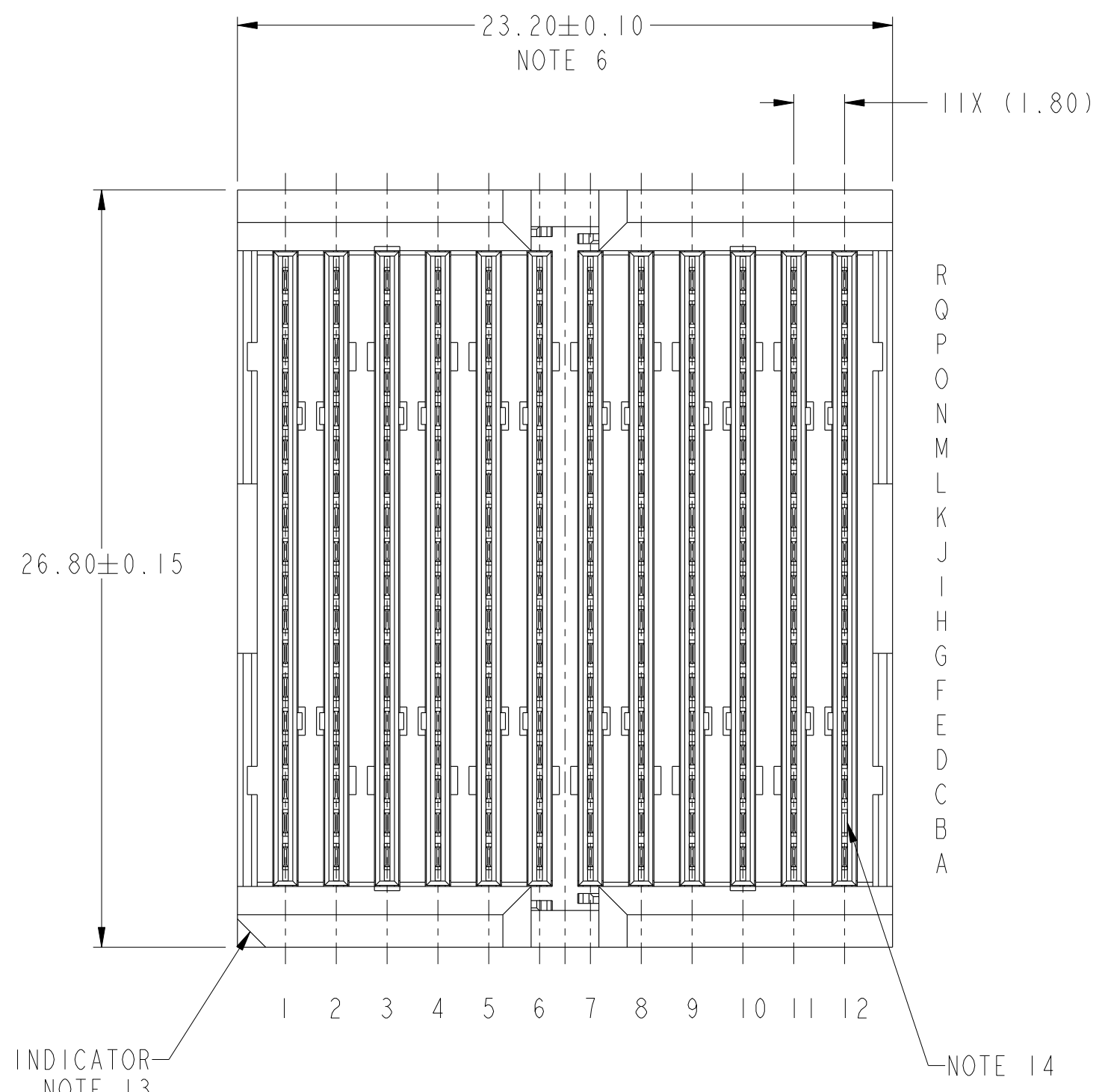
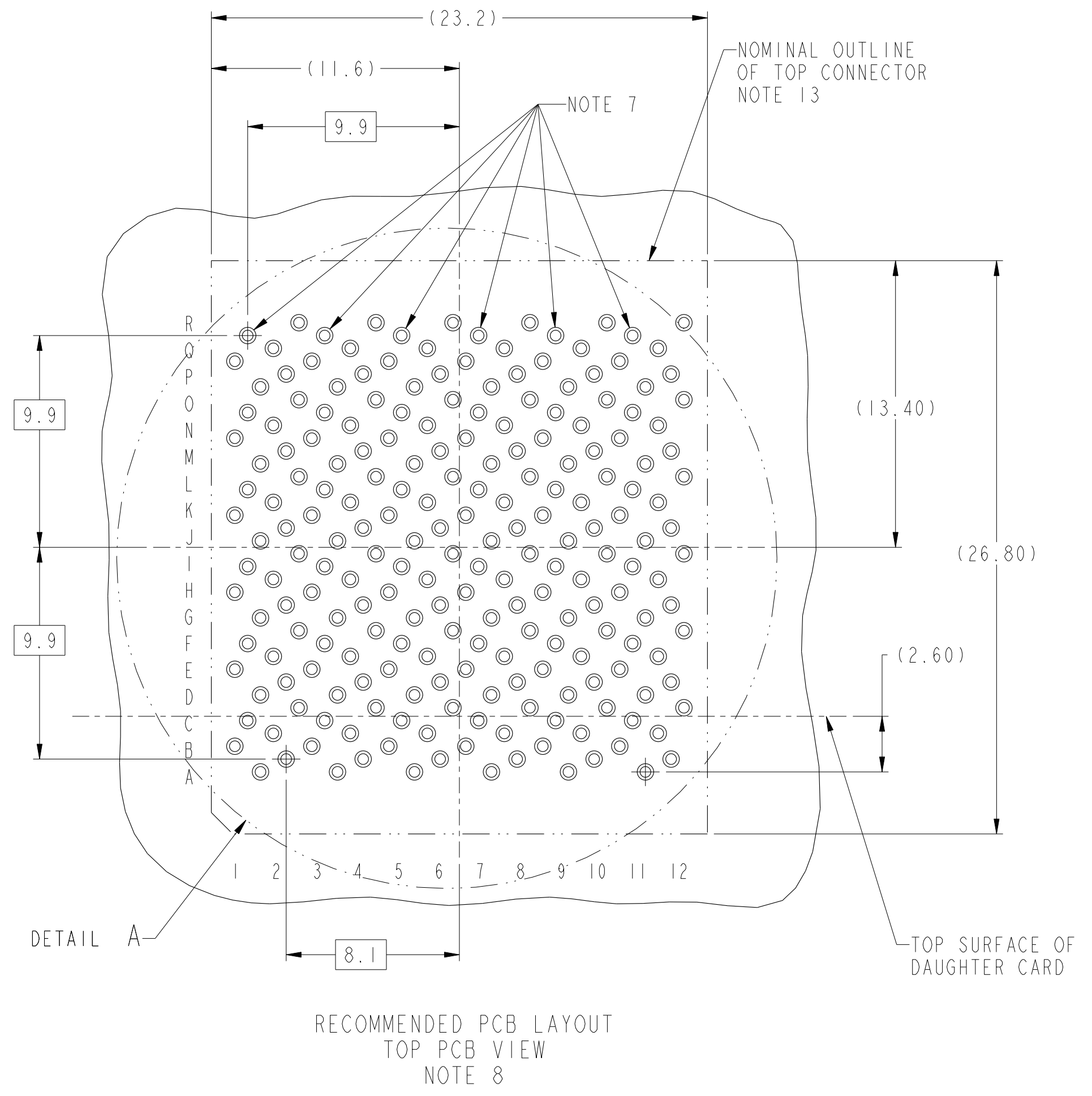


Product number
SEE TABLE, SHT 4



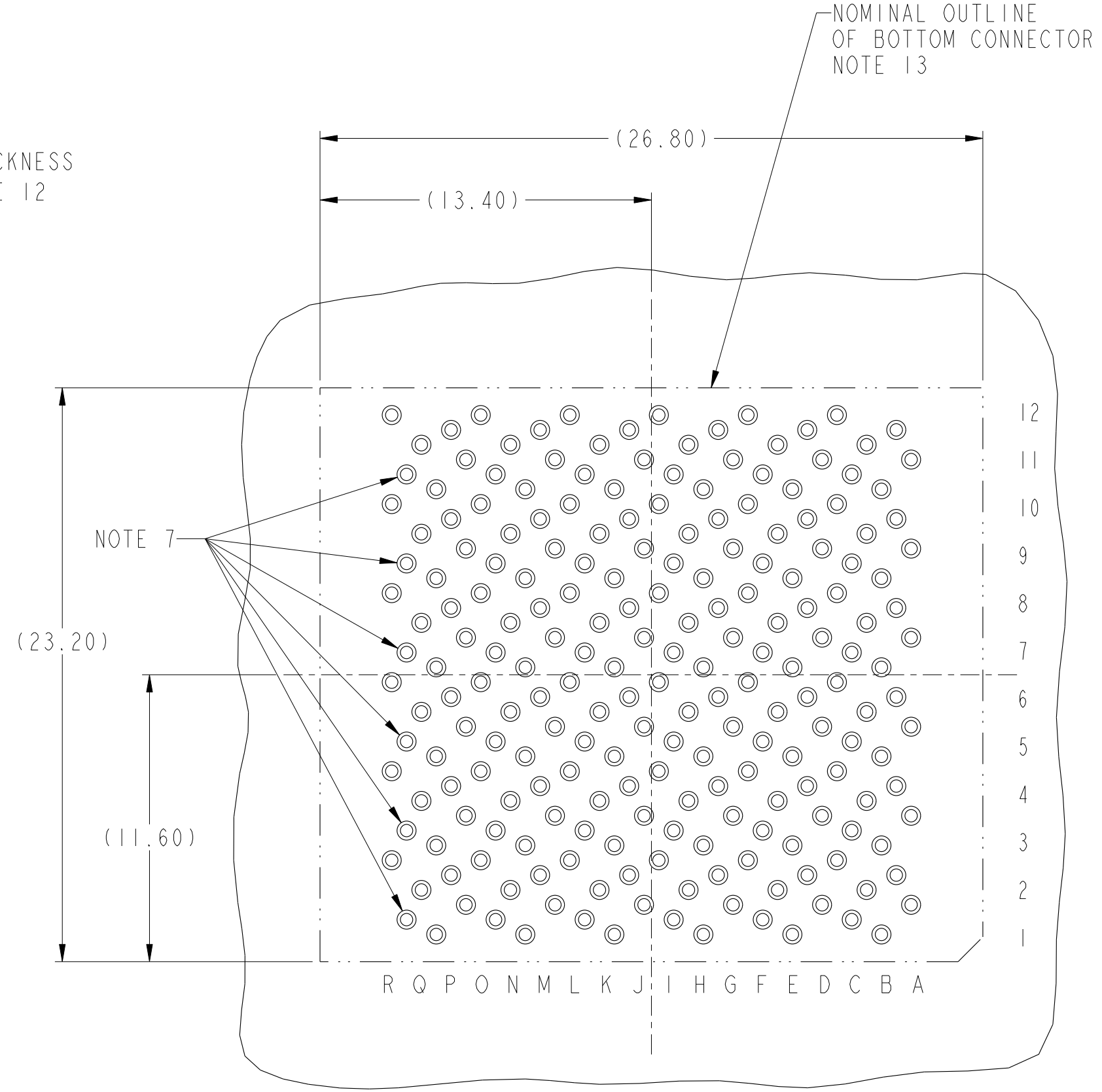
spec ref	dr	G. HULL	2007-10-03	projection	MM	size	A2	scale	5:1
tolerance std	eng	D. JOHNESCU	2007-10-03			ecn no	rel level	RELEASED	rev
ASME Y14.5	chr	Y. K. LIM	2010-10-25						
-	appr	JOEY NG	2010-10-25						
TOLERANCES UNLESS OTHERWISE SPECIFIED				product family	ZiLine		RELEASED		
surface	linear	0.X	±0.3		title ZiLine ORTHOGONAL VERT HDR 6PR, 12 IMLA, 1.8mm PITCH, 23.4mm	dwg no 10080640	sheet 1 of 4	STATUS:Released	Printed: Dec 01, 2010
		0.XX	±0.10						
ASME Y14.5	angular	0°	±2°						

Copyright FCI.
FCI



RECOMMENDED PCB LAYOUT
TOP PCB VIEW
NOTE 8

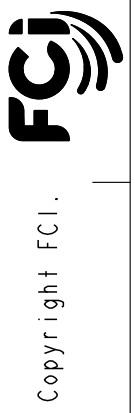
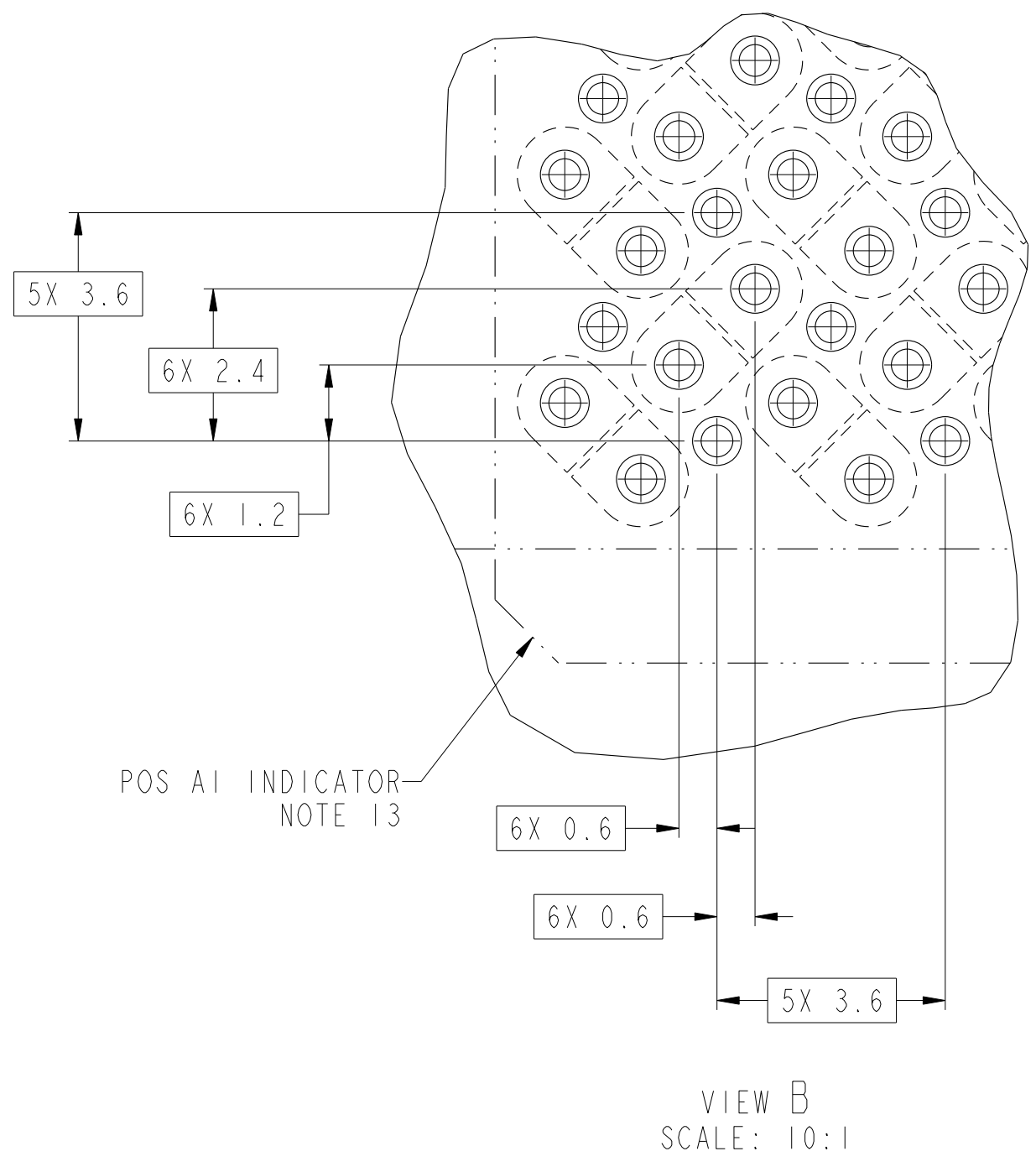
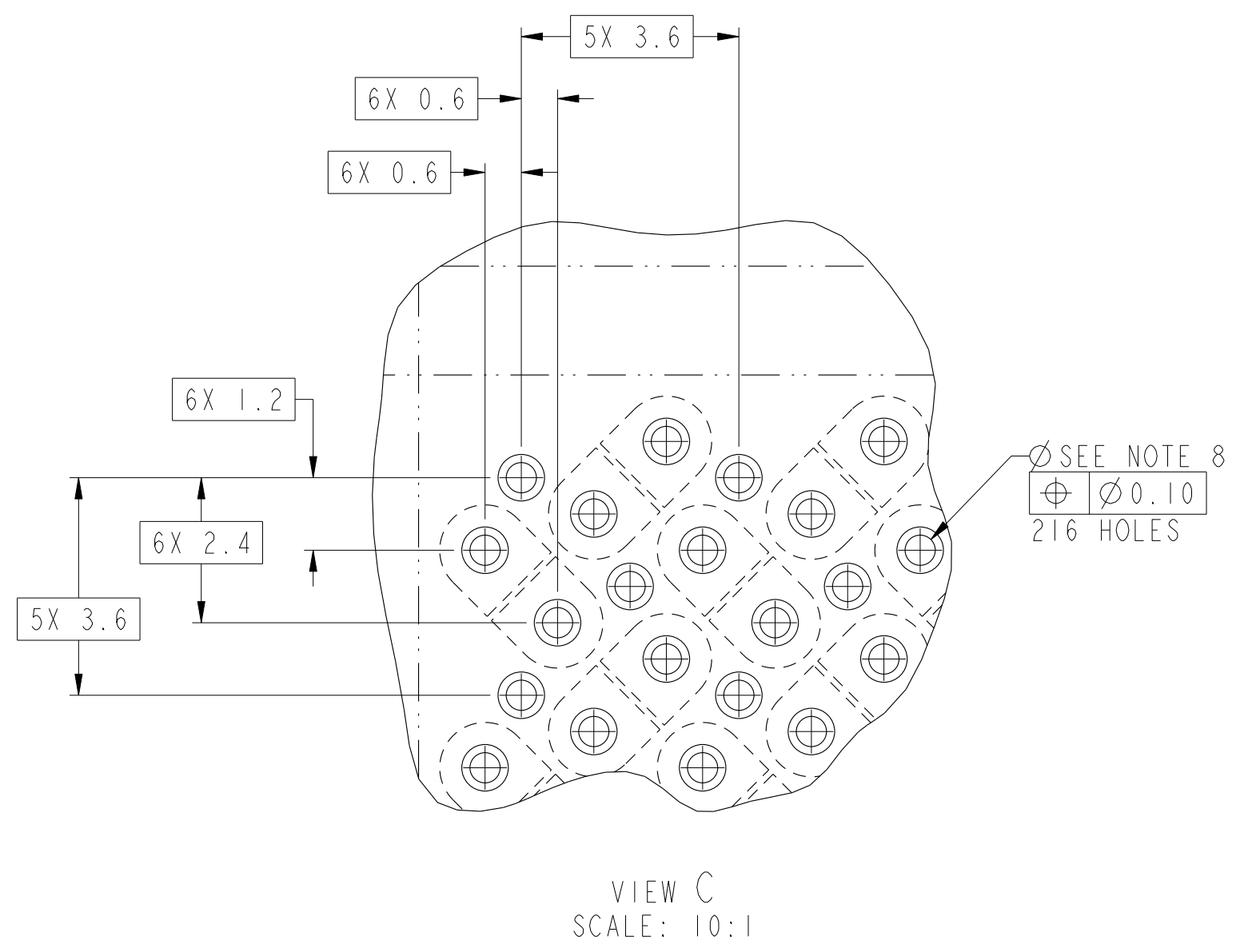
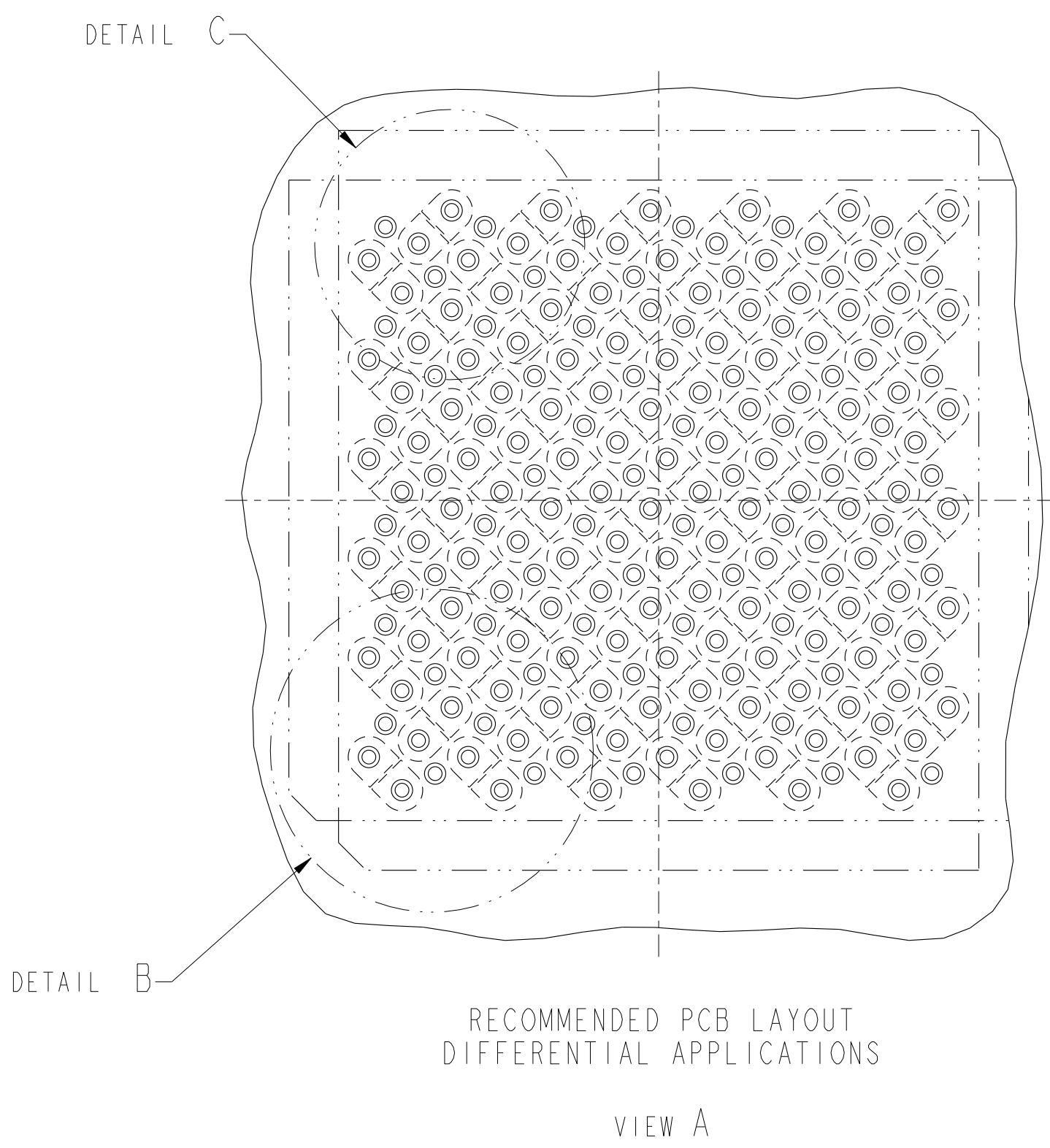
PCB THICKNESS
SEE NOTE 12



RECOMMENDED PCB LAYOUT
BOTTOM PCB VIEW



spec ref	dr	G. HULL	2007-10-03	projection	MM	size	A2	scale	5:1	
tolerance std	eng	D. JOHNECU	2007-10-03			ecn no	rel level	RELEASED	rev	
ASME Y14.5	chr	Y. K. LIM	2010-10-25							
	appr	JOEY NG	2010-10-25							
surface	linear	0.X	±0.3	product family	ZipLine	rel level	RELEASED	cat. no.		
ASME Y14.5	angular	0.XX	±0.10	www.fci.com	title	ZiLine ORTHOGONAL VERT HDR	dwg no	10080640	rev	
		0.XXX	±0.050							Product - Customer Drw
		angular	0°	±2°						

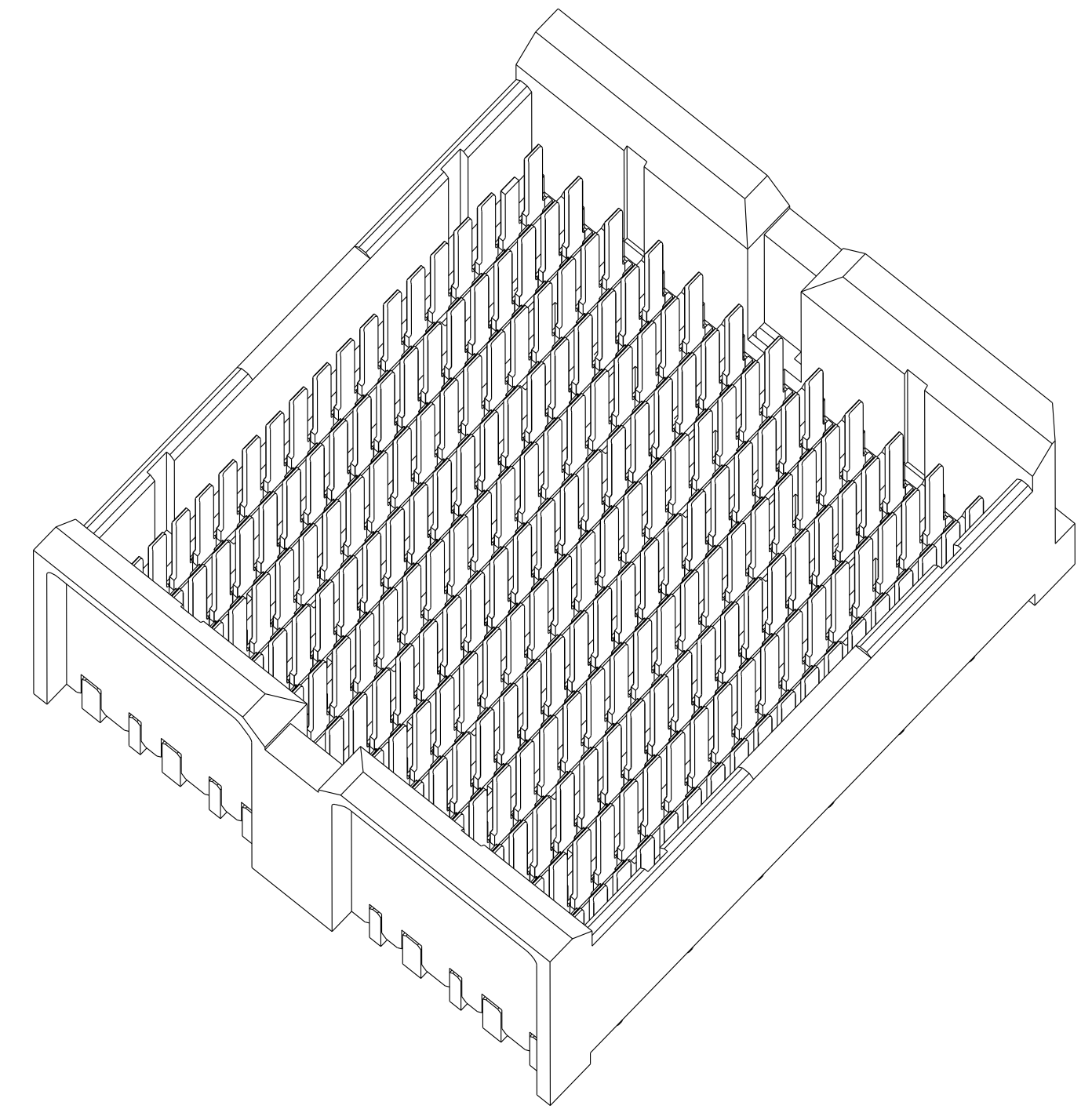


spec ref	dr	G. HULL	2007-10-03	projection	MM	size	A2	scale	5:1
tolerance std	eng	D. JOHNESCU	2007-10-03			ecn no	rel level	RELEASED	rev
ASME Y14.5	chr	Y. K. LIM	2010-10-25						
	appr	JOEY NG	2010-10-25						
surface	linear	0.X	±0.3	product family	Zipline	dwg no	10080640	sheet 3 of 4	A
ASME Y14.5	angular	0.XXX	±0.050	www.fci.com	Product - Customer Drw	cat. no.			
		0°	±2°						

PART NUMBER	PRESS-FIT TAIL PLATING TYPE	SHORT DETECT CONTACT
10080640-101LF	TIN OVER NICKEL (LEAD FREE)	NO
10080640-111LF	TIN OVER NICKEL (LEAD FREE)	YES

NOTES:

- CONNECTOR MATERIALS:
HOUSING: HIGH TEMP THERMOPLASTIC, BLACK, UL94V-0
IMLA PLASTIC: HIGH TEMP THERMOPLASTIC, BLACK, UL94V-0
CONTACT: COPPER ALLOY
- CONTACT PLATING:
SEPARABLE INTERFACE: PERFORMANCE-BASED PLATING, QUALIFIED TO MEET THE REQUIREMENTS OF FCI PRODUCT SPECIFICATION GS-12-452 INCLUDING TELCORDIA GR-1217-CORE (NOVEMBER 1995) CENTRAL OFFICE TEST SEQUENCE
PRESS-FIT TAILS: SEE TABLE
- PRODUCT SPECIFICATION: GS-12-452.
- APPLICATION SPECIFICATION: GS-20-094.
- PRODUCT MARKING, (PART NUMBER & LOT CODE), ON THESE SURFACES.
- FOR NON-ORTHOGONAL APPLICATIONS, THE MINIMUM CENTERLINE SPACING BETWEEN ADJACENT MODULES IS 23.4mm.
- THERE IS NO GROUND BUSSING WITHIN THE HEADER CONNECTOR. HOWEVER, POSITIONS R1, R3, R5, R7, R9, & R11 OF THE MATING RECEPTACLE ARE BUSSED. THESE MUST BE ASSIGNED AS GROUNDS.
- REFER TO CUSTOMER DRAWING 10045979 FOR INFORMATION ON PCB HOLE DIAMETERS AND PLATING OPTIONS.
- THIS PRODUCT MEETS EUROPEAN UNION DIRECTIVES AND OTHER COUNTRY REGULATIONS AS DESCRIBED IN GS-22-008.
- THE HOUSING WILL WITHSTAND EXPOSURE TO 260°C PEAK TEMPERATURE FOR 40 SECONDS IN A CONVECTION, INFRA-RED OR VAPOR PHASE REFLOW OVEN.
- PACKAGING MEETS GS-14-920 LEAD FREE LABELING SPECIFICATION.
- MINIMUM PCB THICKNESS TO BE 3.5mm FOR ORTHOGONAL APPLICATIONS.
- CONNECTOR OUTLINE WITH HOUSING POS A1 INDICATOR MAY BE SCREEN PRINTED ONTO CUSTOMER PCB TO BE USED AS A GUIDE FOR MANUAL CONNECTOR PLACEMENT.
- FOR -11X ASSEMBLIES, MATING PIN B12 HAS 0.60 mm LESS NOMINAL WIPE THAN OTHER PINS.



10080640-1X1LF

Copyright FCI. FCI

spec ref	dr	G. HULL	2007-10-03	projection	MM	size	A2	scale	5:1
tolerance std	eng	D. JOHNECU	2007-10-03			ecn no	rel level	RELEASED	rev
ASME Y14.5	chr	Y. K. LIM	2010-10-25						
-	appr	JOEY NG	2010-10-25						
surface	linear	0.X	±0.3	product family	ZipLine	dwg no	10080640	sheet 4 of 4	A
ASME Y14.5	angular	0.XXX	±0.10	www.fci.com	Product - Customer Drw	cat. no.	-		
		0.XXX	±0.050						
		0°	±2°						