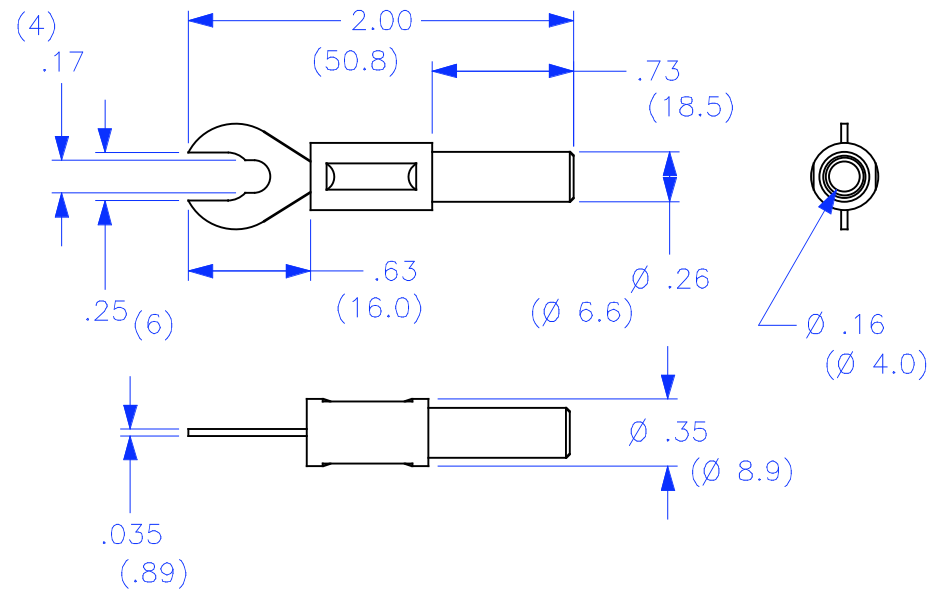


THIS IS ISSUED IN STRICT CONFIDENCE THAT IT IS NOT USED AS A BASIS FOR MANUFACTURE OR SALE AND THAT IT IS NOT COPIED, REPRINTED OR DISCLOSED TO A THIRD PARTY EITHER WHOLLY OR IN PART WITHOUT THE PRIOR WRITTEN CONSENT OF CAL TEST ELECTRONICS, INC.

REVISIONS			
REV.	DESCRIPTIONS	DATE	APPROVED
—	CLASS A RELEASED	7/12/99	

- ADAPTER, 6/4mm SPADE LUG WITH 4mm BANANA JACK.
- SPECIFICATIONS:
INSULATOR: POLYACETAL
SPADE BODY: BRASS, NICKEL PLATED
- RATING:
CURRENT: 36A MAX.
RESISTANCE: <1mΩ.
TEMPERATURE: -20° C TO +80° C.



PART NUMBER

CT2553-#

COLOR: 0 - BLACK
2 - RED
4 - YELLOW
5 - GREEN
6 - BLUE
9 - WHITE

THIRD ANGLE PROJECTION		UNLESS OTHERWISE SPECIFIED DIMENSIONS ARE IN INCHES TOLERANCES ARE: FRACTIONS DECIMALS ± 1/32 .XX ± .02 .XXX ± .005 DO NOT SCALE DRAWING	CONTRACT NO.		Cal Test Electronics 22820 Savi Ranch Parkway Yorba Linda, CA 92887-4610	
			APPROVALS	DATE	TITLE	
NEXT ASSY		MATERIAL	DRAWN WDH	7/12/99	6/4mm SPADE LUG ADAPTER w/4mm JACK	
USED ON		FINISH	CHECKED	ENGR.	SIZE A	CAGE CODE 43F45
APPLICATION			DESIGN ACTIVITY		DWG. NO. P255300	REV. —
				SCALE 1:1	SHEET 1 OF 1	