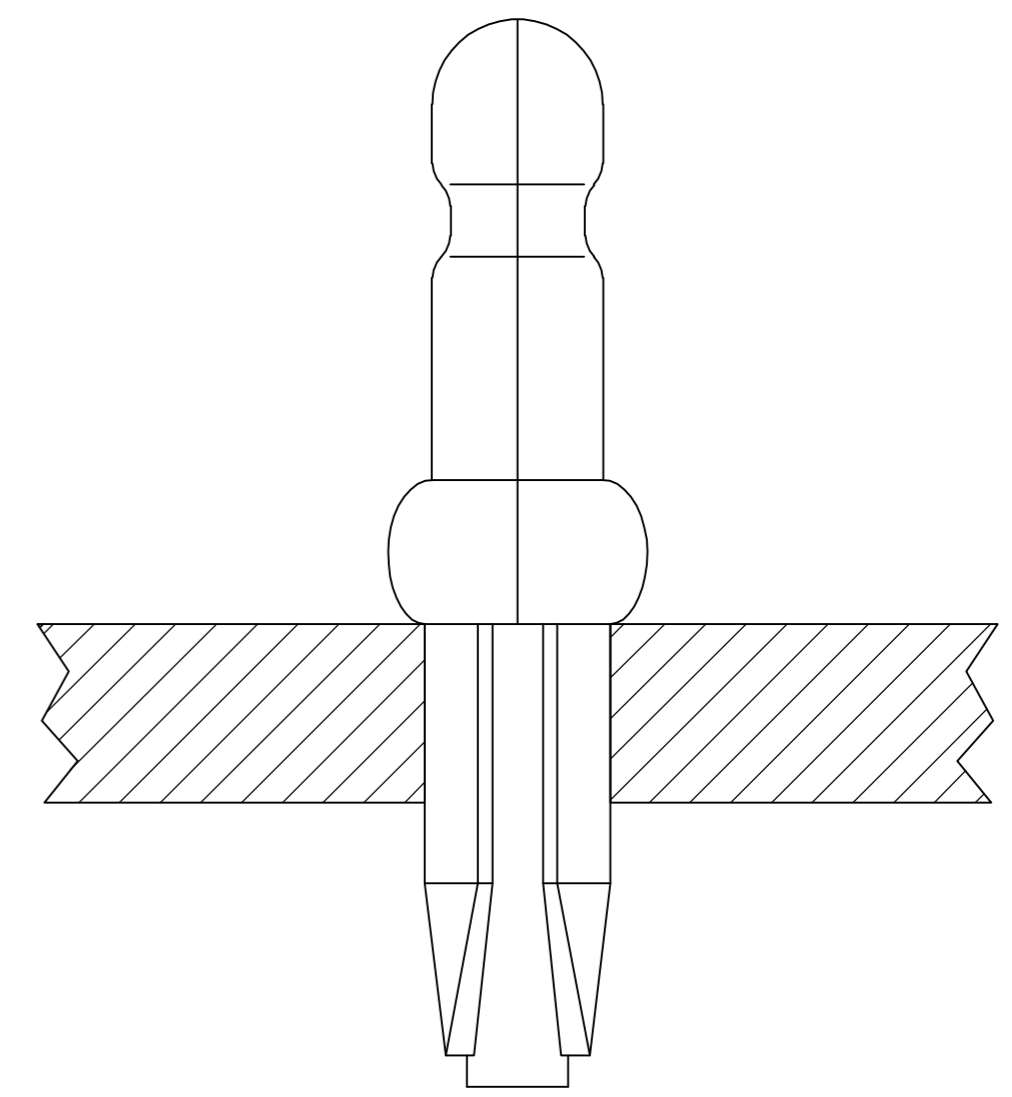
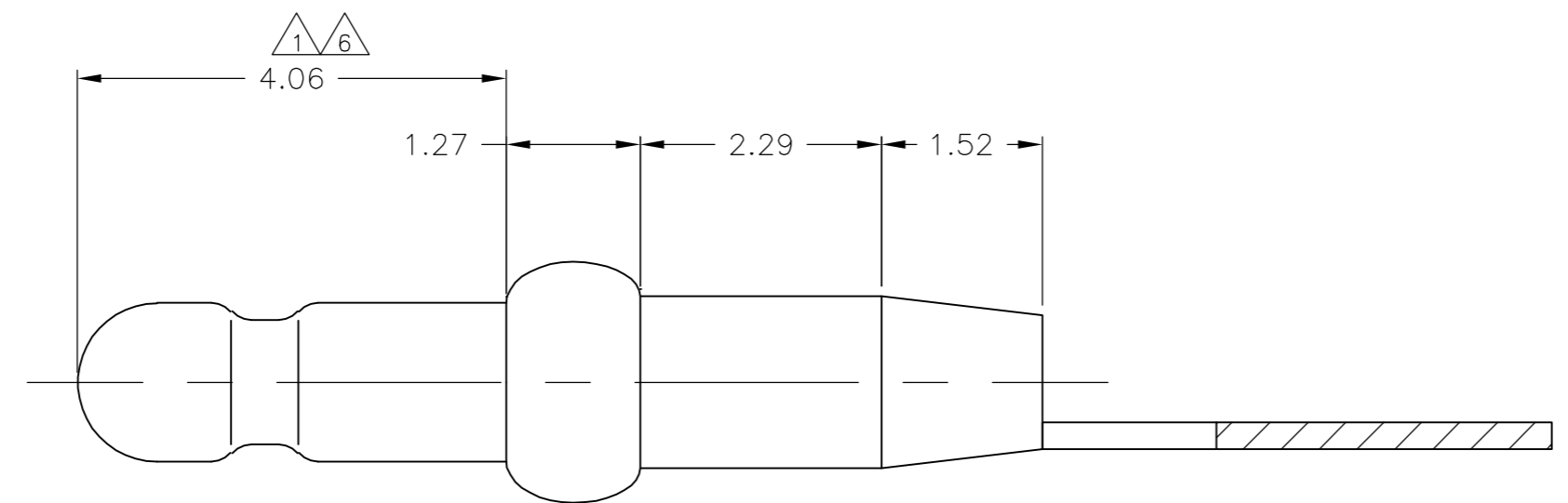
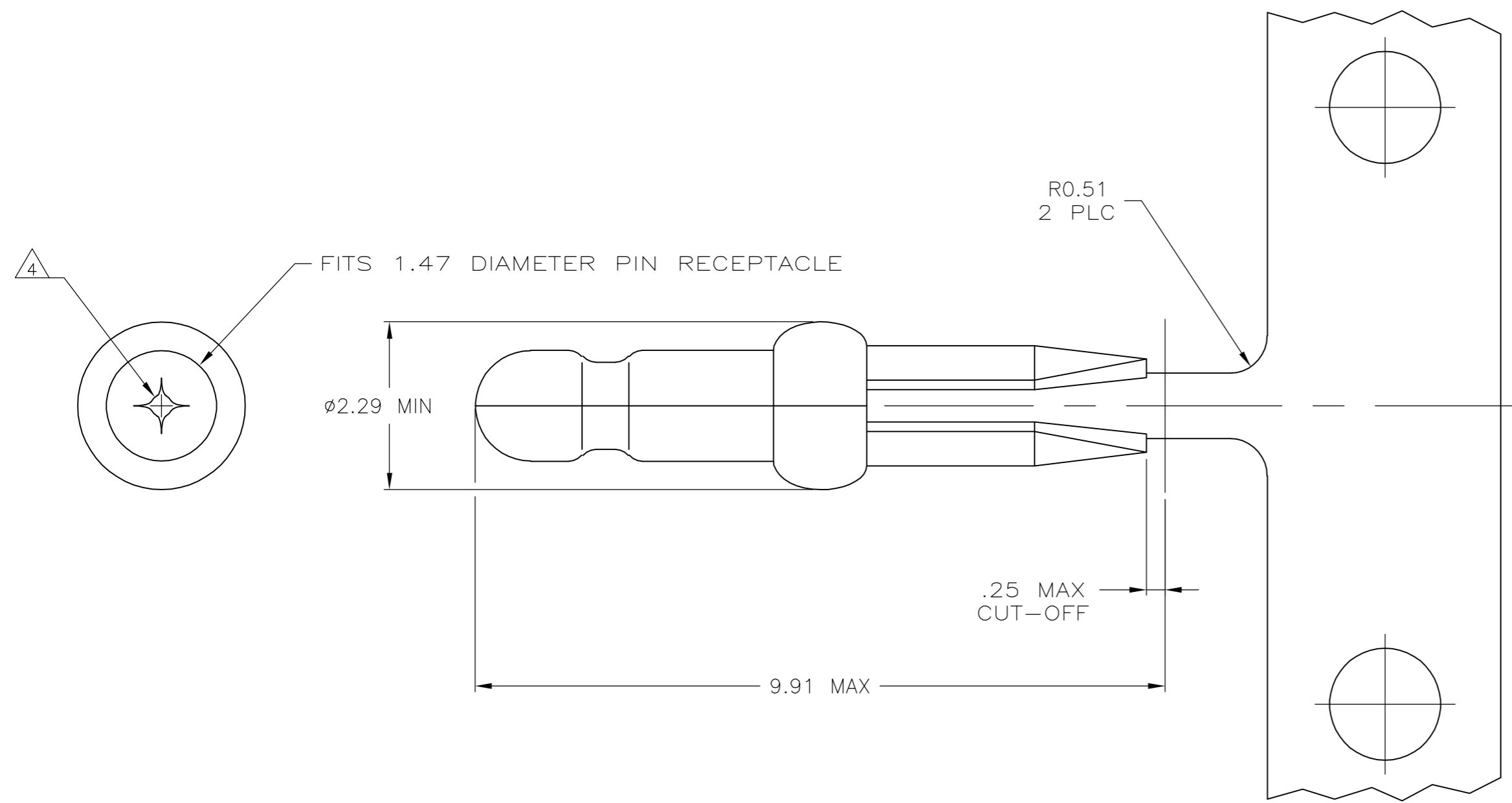


THIS DRAWING IS UNPUBLISHED. RELEASED FOR PUBLICATION
 © COPYRIGHT BY TYCO ELECTRONICS CORPORATION. ALL RIGHTS RESERVED.

LOC	DIST	REVISIONS			
P	LTR	DESCRIPTION	DATE	DWN	APVD
CM	52	AK1	ECO-06-017747	28JUL06	BSV JE



- 1. 0.00076 MIN GOLD PLATING IN THIS AREA WITH 0.00381 MIN MATTE TIN LEAD ON THE REMAINDER, BOTH OVER 0.00127 MIN NICKEL UNDERPLATE.
- 2. FITS 1.47 - 1.57 DIAMETER HOLE IN A 1.57 OR 2.36 PRINTED CIRCUIT BOARD.
- 3. PARTS TO COMPLY WITH AMP SOLDERABILITY SPECIFICATION 109-11-3.
- 4. 0.05 - 0.25 DIAMETER OPENING REQUIRED IN TIP OF PIN.
- 5. APPLICATOR FEED: 8.00 - 8.26.
- 6. 0.00076 MIN GOLD PLATING IN THIS AREA WITH 0.00381 MIN MATTE TIN ON THE REMAINDER, BOTH OVER 0.00127 MIN NICKEL UNDERPLATE.

6	3-60809-2
1	60809-2
PRE TIN	60809-1
FINISH	PART NUMBER

MM	IN	MM	IN	MM	IN	MM	IN
0.13	.005	1.52	.060	8.00	.315	-	-
0.05	.002	1.47	.058	4.06	.160	-	-
0.00381	.000150	1.27	.050	2.36	.093	-	-
0.00127	.000050	0.51	.020	2.29	.090	9.91	.390
0.00076	.000030	0.25	.010	1.57	.062	8.26	.325

CONVERSION TABLE

METRIC

THIS DRAWING IS A CONTROLLED DOCUMENT.		DWN	T. BECK	29JUL97	Tyco Electronics Corporation Harrisburg, Pa 17105-3608
DIMENSIONS: mm		CHK	R. SWING	29JUL97	
TOLERANCES UNLESS OTHERWISE SPECIFIED:		APVD	A. BEDDICK	10SEP97	
0 PLC ± - 1 PLC ± - 2 PLC ± 0.13 3 PLC ± - 4 PLC ± - ANGLES ± ±		PRODUCT SPEC	108-1025		
MATERIAL: 0.25 PH BRZ		APPLICATION SPEC	114-1008		NAME: PIN, .058 DIAMETER, PHOSPHER BRONZE, PRESS FIT, P.C. CONTACT
SEE TABLE		WEIGHT	-		SIZE: A2
		CUSTOMER DRAWING	SCALE: 15:1	SHEET: 1 OF 1	REV: AK1