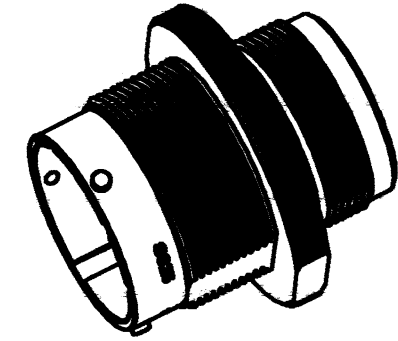
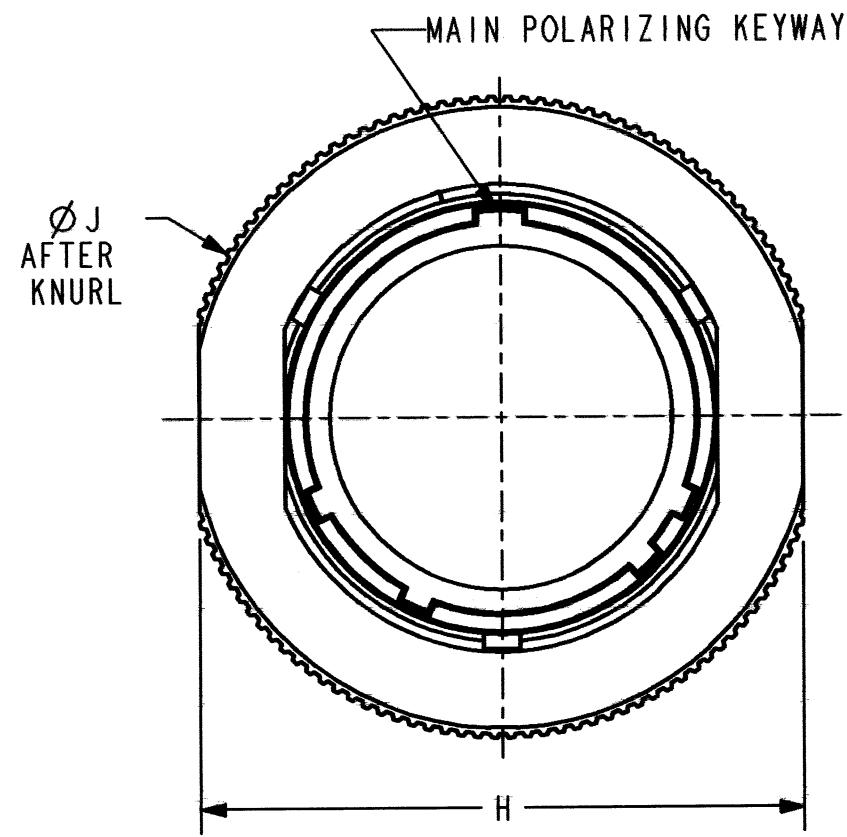
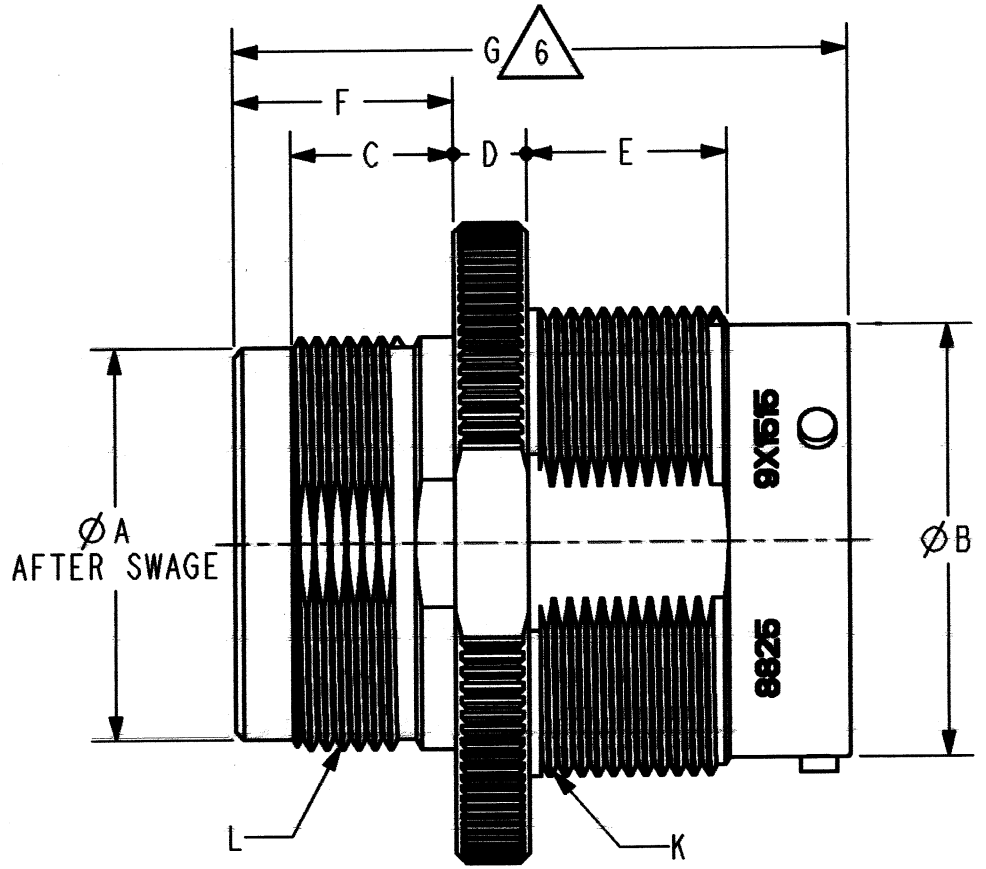


REV
C 8N****-24/32-**P/S

REVISIONS			
SYM	DESCRIPTION	DATE	APPROVED
NC	NEW RELEASE PER E.O. P19805	6/29/09	R.D.R.
A	REVISED PER E.O. P20406	2/17/10	D.M.
B	REVISED PER E.O. P20503	5/27/10	R.D.R.
C	REVISED PER E.O. P20543	7-14-10	RDR



3D VIEW

PART NUMBER	SIZE	ØA [mm]	ØB REF [mm]	C [mm]	D [mm]	E [mm]	F [mm]	G REF [mm]	H [mm]	ØJ [mm]	K THREAD	L THREAD
8N****-24-**P/S	24	Ø1.368 [34.75]	Ø1.500 [38.10]	.565 [14.35]	.255 [6.48]	.695 [17.65]	.765 [19.43]	2.248 [57.10]	2.095 [53.21]	2.220 [56.39]	1.625-18UNEF-2A MODIFIED	1.4375-18UNEF-2A MODIFIED
8N****-32-**P/S	32	Ø1.925 [48.90]	Ø2.110 [53.59]	.520 [13.21]	.300 [7.62]	.695 [17.65]	.720 [18.29]	2.348 [59.64]	2.925 [74.30]	3.200 [81.28]	2.250-16UN-2A	2.000-18UNS-2A MODIFIED

6. TOTAL DIMENSION WITH WIRE SEAL.
5. FOR CONTACTS AND WIRES PERFORMANCE AND APPLICATION CHARACTERISTICS SEE ENVELOPE DRAWING 4025-001-0000.
4. FOR ARRANGEMENT OF CONTACT LOCATION SEE ENVELOPE DRAWING 4025-006-0000.
3. RECEPTACLE IS SUPPLIED WITH DUST CAP (NOT SHOWN).
2. DIMENSIONS ARE IN INCHES [mm].
1. CONSULT THE FACTORY FOR ELECTRICAL AND MATERIAL SPECIFICATIONS.

9. SHELL MATERIAL: METAL; SEAL MATERIAL: RUBBER; INSULATOR MATERIAL: PLASTIC.
8. PART NUMBER INFO: **** = CATERPILLAR PART NO. 24/32 = RECEPTACLE SHELL SIZE; ** = ARRANGEMENT NO.
7. DIMENSION TOLERANCE: ±.025[.63] UNLESS OTHERWISE SPECIFIED.

NOTES:

SIGNATURE & DATE	
DR	I. GRANTCHAROVA 3/24/08
CHK	R. Williams 7/14/10
PE	J. Brundage 7/14/10
APPD	S. Brandy 7.14.10
SCALE	NONE
WT	

RECEPTACLE CONNECTOR
SHELL SIZE 24 & 32
C.E. SERIES

ENVELOPE

EP	MATL. CODE
3850 INDUSTRIAL AVE. HEMET, CA 92545	
B 8N****-24/32-**P/S	
DWG SIZE	SHEET OF