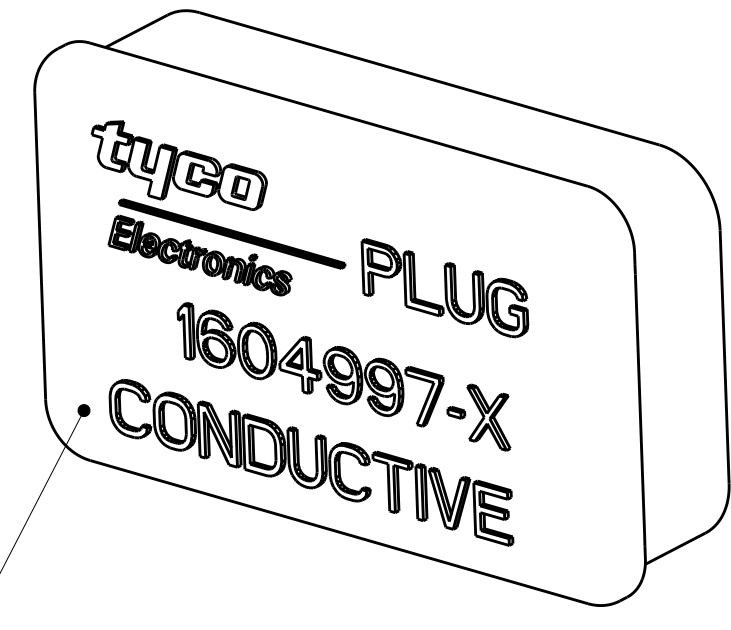
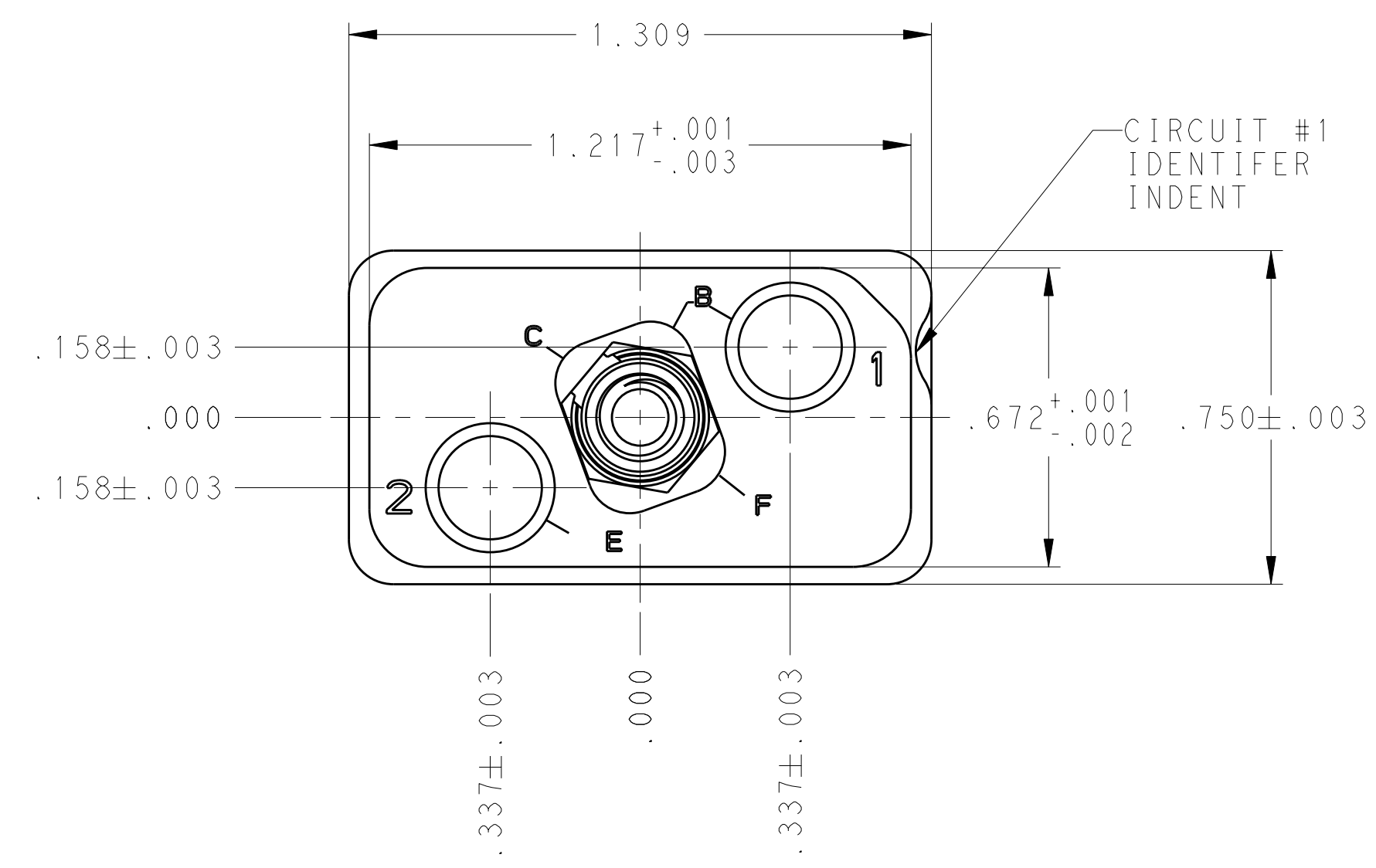
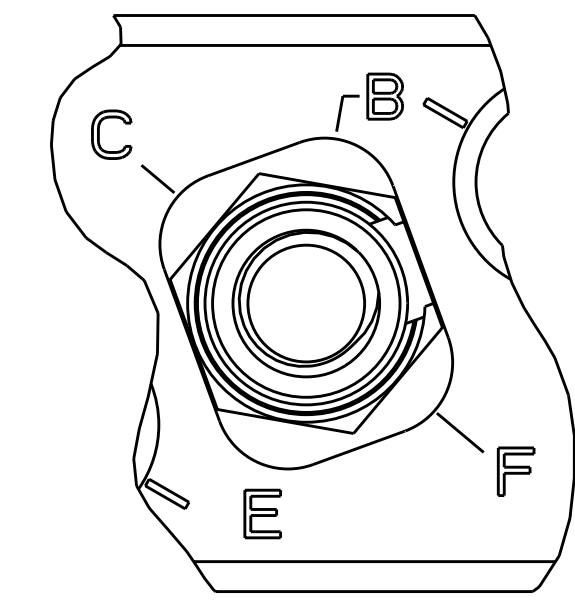


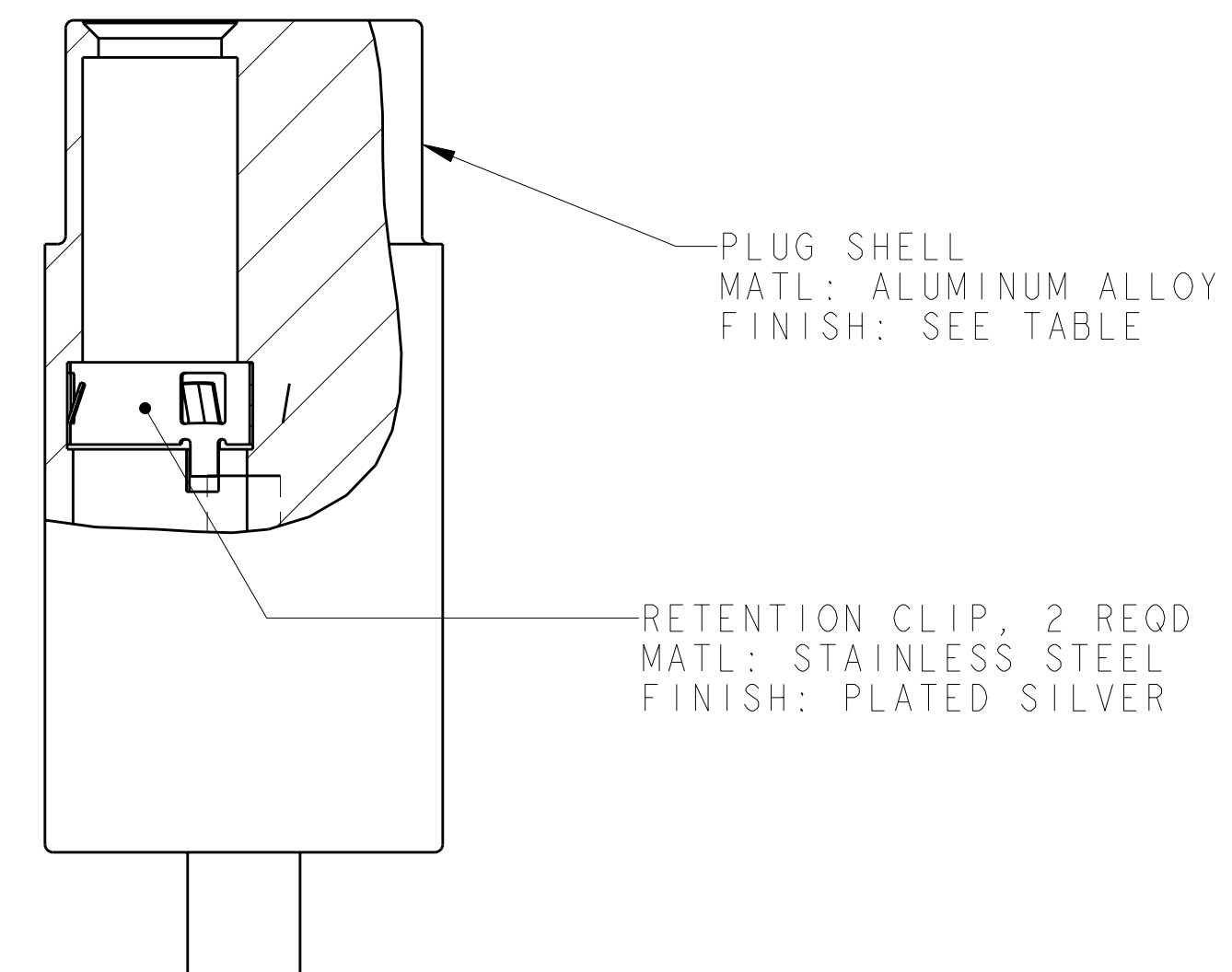
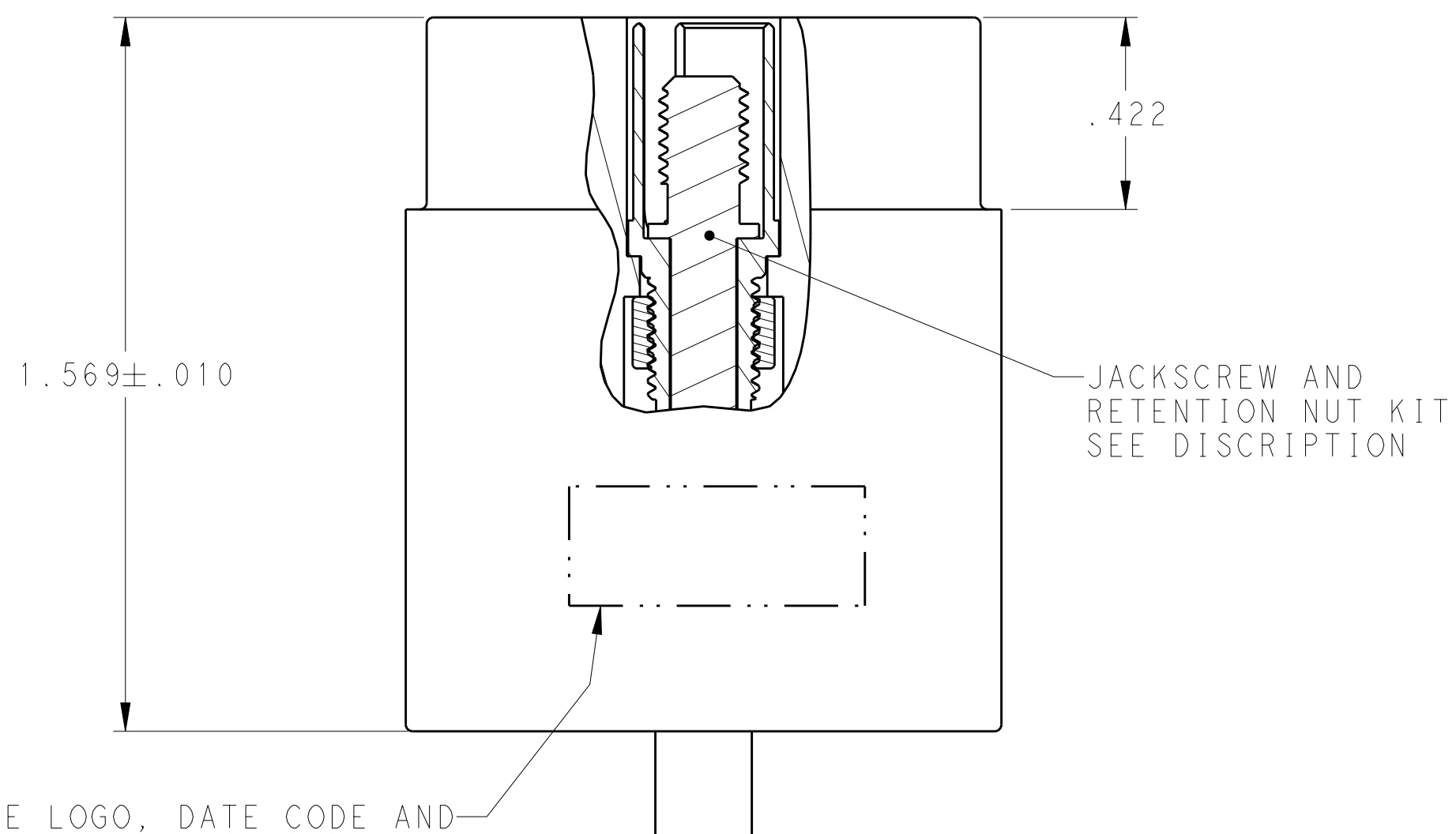
LOC	DIST	REV	DATE	BY	APPD
		G	3-20-12	CT	DM



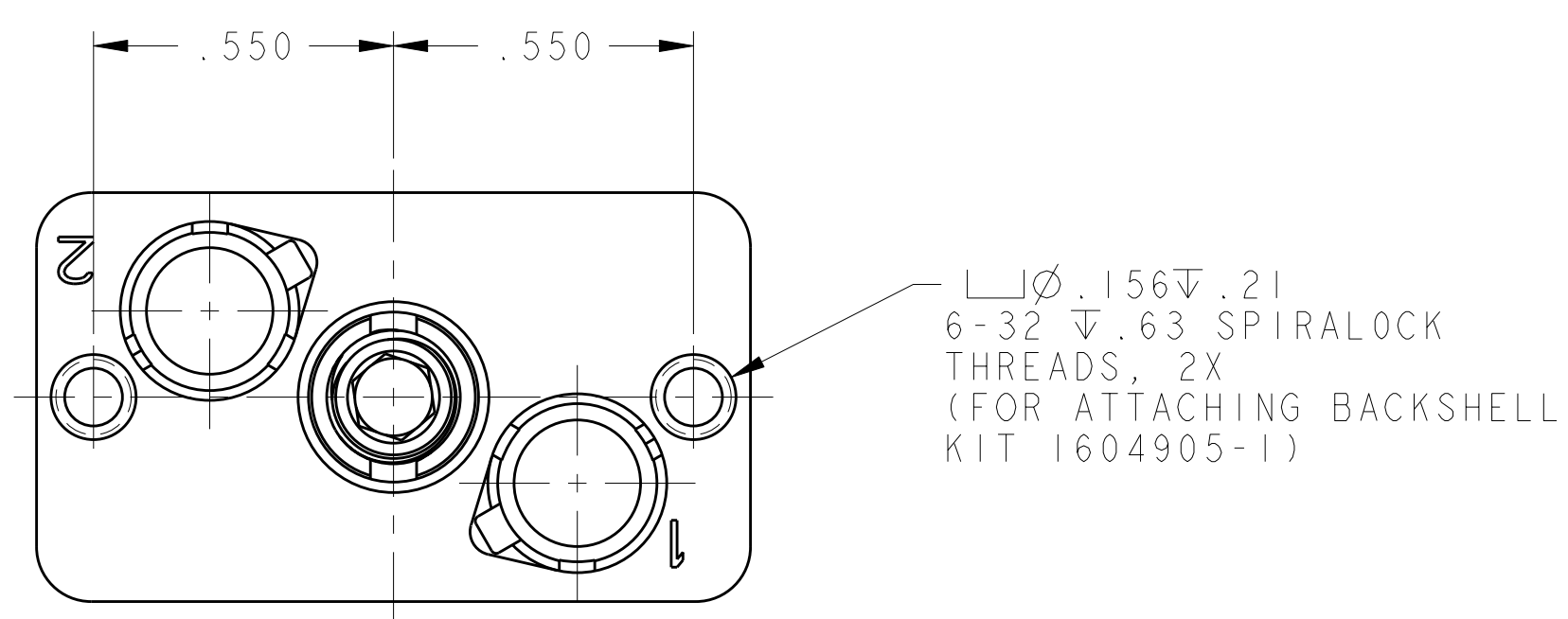
ESD DUST COVER; INSTALLED ON ALL DASH NUMBERS



PLZN CODE A SHOWN FOR REFERENCE SCALE 4:1



TE LOGO, DATE CODE AND EITHER CUSTOMER OR TE PART NUMBER (PER TABLE) MARKED APPROX AS SHOWN ON NEAR OR FAR SIDE)



1445693-4	ELECTROLESS NICKEL	BACC65BC2N	WITH JACKSCREW-RETENTION NUT KIT (FLAT POLARIZATION)	1604898-9
1445693-4	ELECTROLESS NICKEL	BACC65BC2NC	JACKSCREW ASSEMBLED PLZN CODE C	1604898-8
1445693-4	ELECTROLESS NICKEL	BACC65BC2NB	JACKSCREW ASSEMBLED PLZN CODE B	1604898-7
1445693-3	ELECTROLESS NICKEL	---	JACKSCREW ASSEMBLED PLZN CODE A	1604898-6
1445693-3	ELECTROLESS NICKEL	---	WITH JACKSCREW-RETENTION NUT KIT (FLAT POLARIZATION)	1604898-5
1445693-4	BLACK ANODIZED	BACC65BC2A	WITH JACKSCREW-RETENTION NUT KIT (FLAT POLARIZATION)	1604898-4
1445693-2	---	---	WITH JACKSCREW-RETENTION NUT KIT (FLAT POLARIZATION)	1604898-2
RECOMMENDED CONTACT WITH WIRE SEAL	SHELL FINISH	BOEING PART NUMBER	DESCRIPTION	PART NO.

SUPERSEDED BY 1604898-5

⚠ JACKSCREW-RETENTION NUT KIT IS UNASSEMBLED TO CONNECTOR ASSY. KIT IS PACKAGED IN SEALED BAG.

2. 1604898-5 THRU -9 HOUSING CONFIGURATION (ONE PIECE) SHOWN,

THIS DRAWING IS A CONTROLLED DOCUMENT. DWG: Brent D. Toth 06OCT2004, CHK: W.H. BERNHART 06OCT2004, APVD: W.H. BERNHART 06OCT2004

STE TE Connectivity

DIMENSIONS: INCHES	TOLERANCES UNLESS OTHERWISE SPECIFIED:	PRODUCT SPEC	NAME
9 PLC ±	9 PLC ±	APPLICATION SPEC	
3 PLC ±	3 PLC ±	SIZE	CAGE CODE
5 PLC ±	5 PLC ±	DRAWING NO	RESTRICTED TO
4 PLC ±	4 PLC ±	WEIGHT	
ANGLES ±	ANGLES ±	CUSTOMER DRAWING	
FINISH SEE CALLOUTS	FINISH SEE CALLOUTS	SCALE	SHEET 1 OF 1

A100779C=1604898