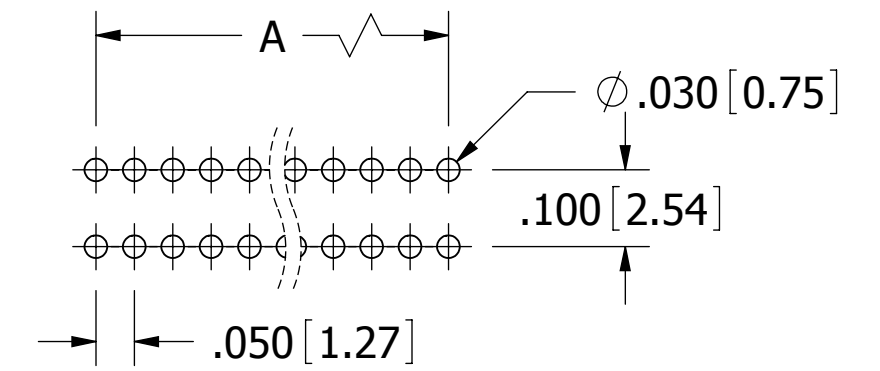
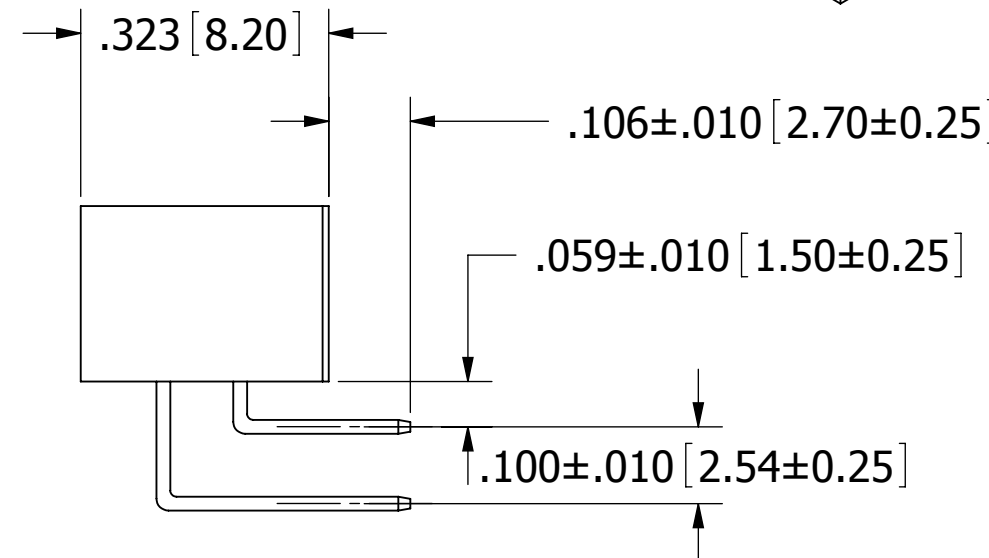
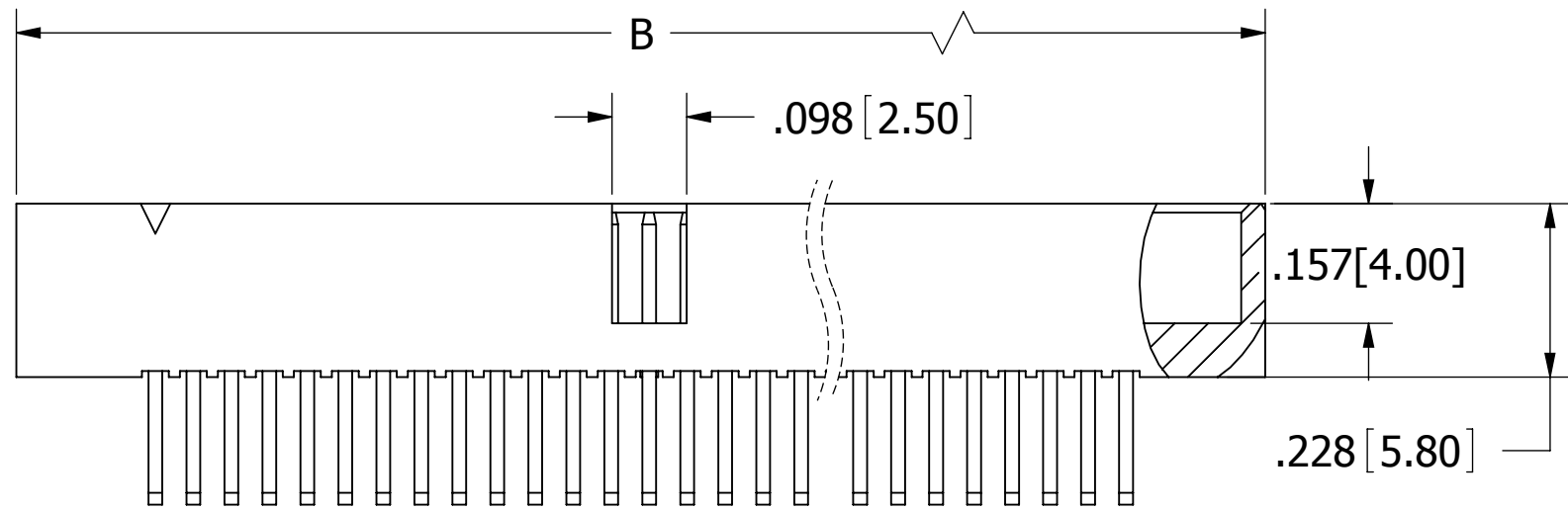
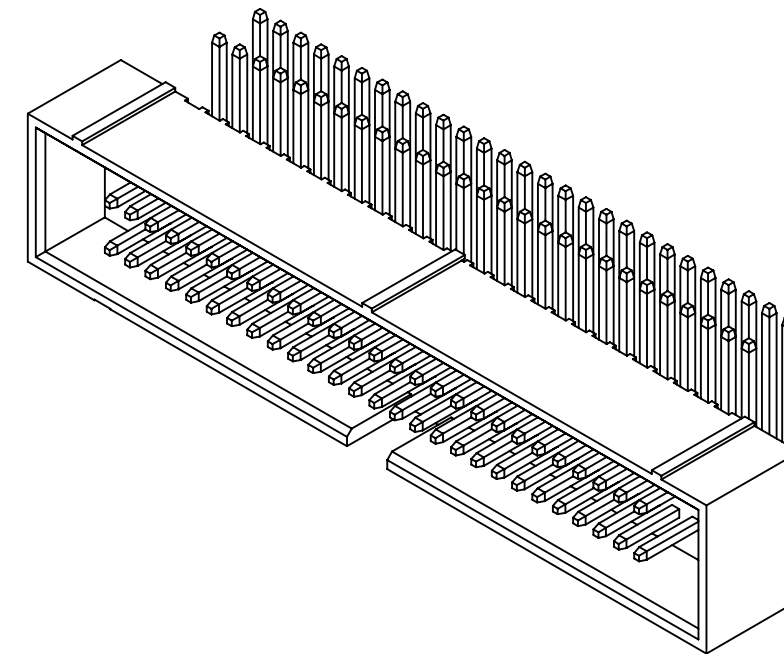
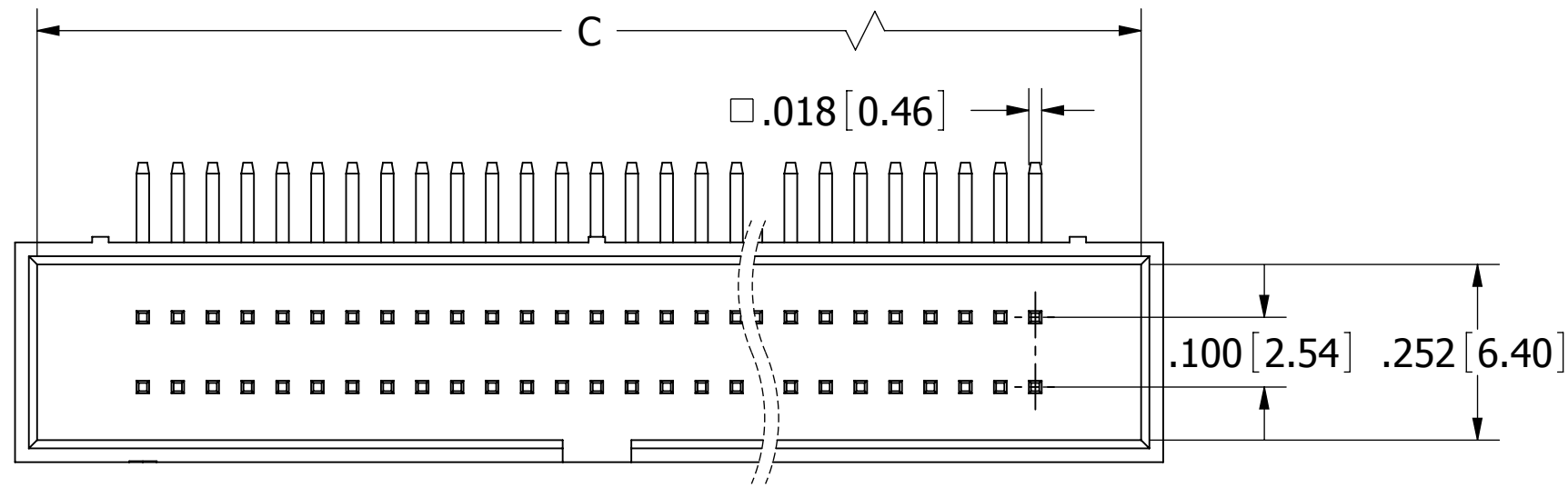


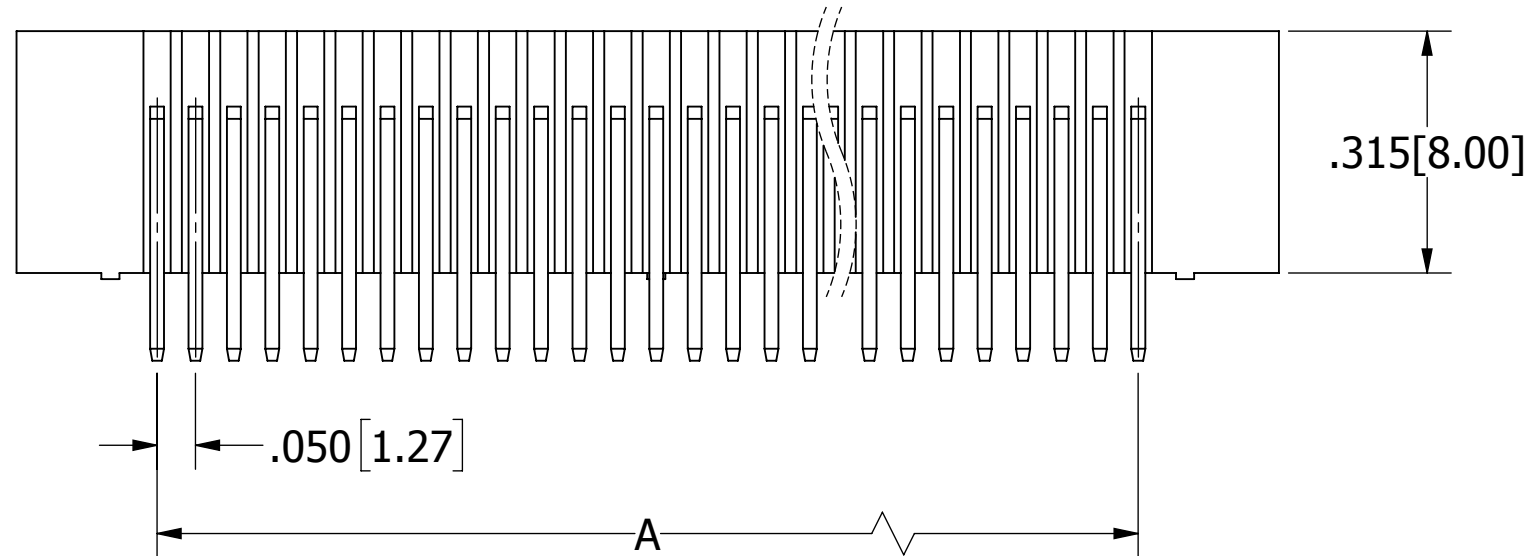
PART NUMBER CODING
SBH41-NBPB-D__-RA-BK

NUMBER OF POSITIONS
 (CONTACTS PER ROW)

REVISIONS				
REV.	ECO. NO	DESCRIPTION	DATE	BY
C	2086	ADD BOX INSIDE DEPTH 4mm, MATED COMPONENTS & HEIGHT ON SHEET 2, UPDATE AVAILABLE POSITION NUMBERS	02/11/2010	LH
D	2835	UPGRADE INSULATOR MATERIAL NYLON 9T(WAS NYLON 6T), WARP TOLERANCE	04/07/2014	LH
E	3219	UPDATE INSULATOR COLOR OPTIONS	05/12/2015	LH
F	3637	MOVE WARP TOLERANCE TO BOTTOM VIEW	03/16/2017	LH



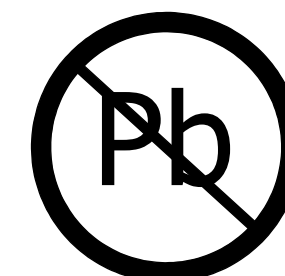
RECOMMENDED PCB LAYOUT



05 - 20, 0.20mm MAX.
 25 - 30, 0.30mm MAX.
 34 - 50, 0.40mm MAX.

PART NUMBER	POSITIONS/ CONTACTS	A		B		C	
		INCH	MM	INCH	MM	INCH	MM
SBH41-NBPB-D05-RA-BK	05/10	0.200	5.08	0.566	14.38	0.503	12.78
SBH41-NBPB-D07-RA-BK	07/14	0.300	7.62	0.666	16.92	0.603	15.32
SBH41-NBPB-D08-RA-BK	08/16	0.350	8.89	0.716	18.19	0.653	16.59
SBH41-NBPB-D10-RA-BK	10/20	0.450	11.43	0.816	20.73	0.753	19.13
SBH41-NBPB-D13-RA-BK	13/26	0.600	15.24	0.966	24.54	0.903	22.94
SBH41-NBPB-D15-RA-BK	15/30	0.700	17.78	1.066	27.08	1.003	25.48
SBH41-NBPB-D17-RA-BK	17/34	0.800	20.32	1.166	29.62	1.103	28.02
SBH41-NBPB-D20-RA-BK	20/40	0.950	24.13	1.316	33.43	1.253	31.83
SBH41-NBPB-D25-RA-BK	25/50	1.200	30.48	1.566	39.78	1.503	38.18
SBH41-NBPB-D30-RA-BK	30/60	1.450	36.83	1.816	46.13	1.753	44.53
SBH41-NBPB-D34-RA-BK	34/68	1.650	41.91	2.016	51.21	1.953	49.61
SBH41-NBPB-D40-RA-BK	40/80	1.950	49.53	2.316	58.83	2.253	57.23
SBH41-NBPB-D50-RA-BK	50/100	2.450	62.23	2.816	71.53	2.753	69.93

- NOTES:
- INSULATOR MATERIAL: NYLON 9T, UL 94V-0, COLOR: BLACK
 - CONTACT MATERIAL: BRASS
 - CONTACT PLATING: .000030" - .000050" NICKEL UNDERPLATE, GOLD FLASH OVERALL
 - CURRENT RATING: 1 AMP
 - INSULATOR RESISTANCE: 5,000 MEGOHMS MIN.
 - CONTACT RESISTANCE: 20 MILLIOHMS MAX.
 - DIELECTRIC WITHSTANDING: 500 V AC
 - OPERATING TEMPERATURE: -40°C TO + 105°C
 - PROCESSING TEMP.: 230°C MAX FOR 60 SECONDS (260°C MAX FOR 10 SECONDS)
 - MATES WITH SFH41 & SFH413 IDC SOCKET SERIES



RoHS COMPLIANT

UNLESS OTHERWISE SPECIFIED:
 DIMENSIONS ARE IN INCHES [MM]

TOLERANCES:

ANGULAR:

DECIMALS
 .XX= ± .012 [.31]
 .XXX= ± .008 [.20]
 .XXXX= ± .0040 [.100]

DRAWN DATE NAME

06/03/2008 VJ

THE INFORMATION HEREIN CONTAINS PROPRIETARY INFORMATION OF SULLINS ELECTRONICS AND IS NOT TO BE REPRODUCED, USED OR DISCLOSED TO OTHERS FOR ANY PURPOSE EXCEPT AS SPECIFICALLY AUTHORIZED IN WRITING BY AN OFFICER OF SULLINS ELECTRONICS.

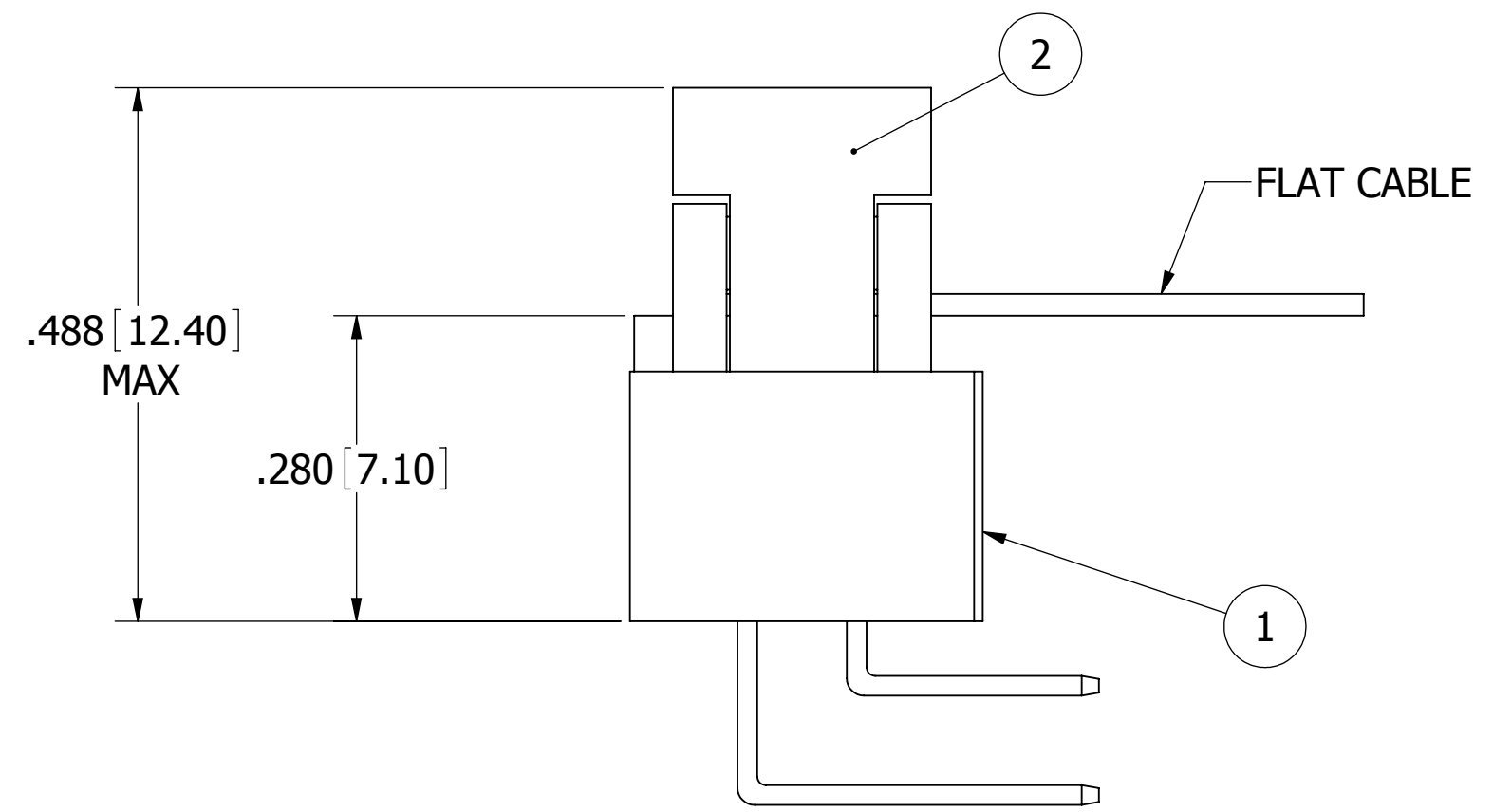
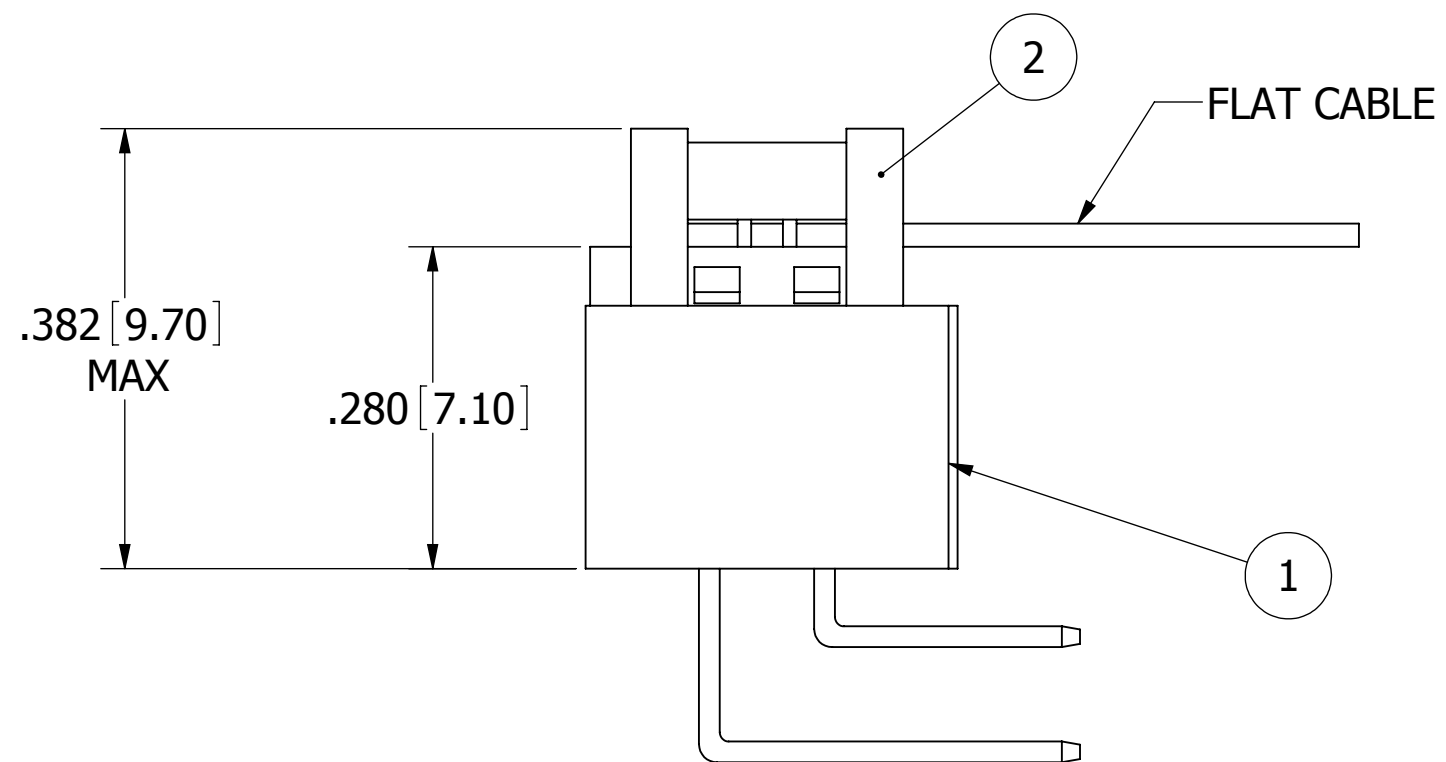


TITLE
 BOX HEADER, .050[1.27]CC, .100[2.54]RS
 PART NUMBER
 SBH41-NBPB-D__-RA-__



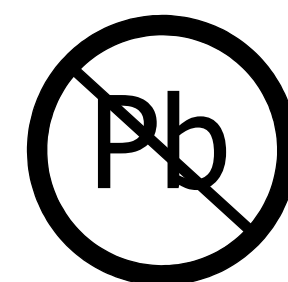
SIZE CAGE CODE DWG. NO. REV
 C 54453 11115 F

SCALE: 4:1 SHEET 1 OF 2



ITEM 1	SBH41-NBPB-D__-RA-BK
ITEM 2 (MATE)	SFH41-PP_B-D__-ID-BK

ITEM 1	SBH41-NBPB-D__-RA-BK
ITEM 2 (MATE)	SFH413-PP_B-D__-ID-BK



RoHS COMPLIANT

UNLESS OTHERWISE SPECIFIED: DIMENSIONS ARE IN INCHES [MM]		DRAWN	DATE	NAME	
TOLERANCES:			06/03/2008	VJ	
ANGULAR:		<small>THE INFORMATION HEREIN CONTAINS PROPRIETARY INFORMATION OF SULLINS ELECTRONICS AND IS NOT TO BE REPRODUCED, USED OR DISCLOSED TO OTHERS FOR ANY PURPOSE EXCEPT AS SPECIFICALLY AUTHORIZED IN WRITING BY AN OFFICER OF SULLINS ELECTRONICS.</small>			TITLE
DECIMALS					BOX HEADER, .050[1.27]CC, .100[2.54]RS PART NUMBER
.XX= ± .012 [.31]		SCALE: 4:1			SBH41-NBPB-D__-RA-__ DWG. NO.
.XXX= ± .008 [.20]		SIZE			11115 REV
.XXXX= ± .0040 [.100]		CAGE CODE			54453 F
		SHEET 2 OF 2			