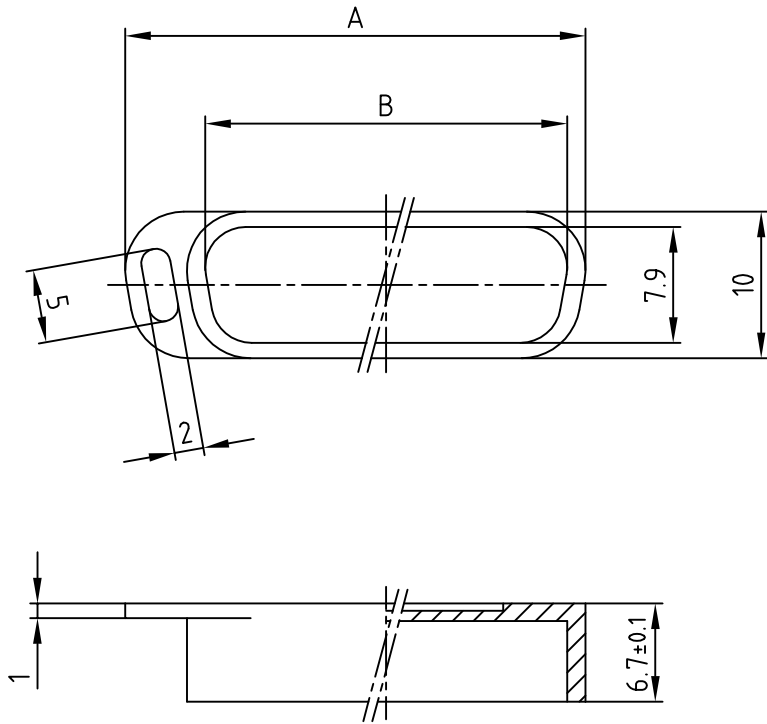


used for: D-SUB



TO PREVENT DAMAGE AT LOW TEMPERATURES NO IMPACT OR EXTREM MECHANICAL LOAD SHOULD APPLIED TO THE CAP.
MECHANICAL LOAD SHOULD BE APPLIED ABOVE 0° C

POS.	A	B	Part No.
9	22.9	16.5	600X518009X
15	31.4	24.7	600X518015X
25	44.7	38.3	600X518025X
37	61.2	54.5	600X518037X

RoHS compliant

THIS DRAWING MAY NOT BE COPIED OR REPRODUCED IN ANY WAY, AND MAY NOT BE PASSED ON TO A THIRD PARTY WITHOUT WRITTEN PERMISSION.
OWNERSHIP AND COPYRIGHT OF CONEC GmbH
DO NOT ALTER CAD DRAWING BY HAND

			tolerance		dim. in mm
			DIN 16901 - 150		
			2015	date	name
			drawn	04.03.	Henneboel
			appd.	04.03.	Lehmenkühler
			norm		
			d-old		
a	Original				
rev.	description	date			

scale:	2:1	
material:	ABS, Nickel plated	
title:	DUST CAP for socket connector 9 - 37pos.	
dwg no:	16V2IM5A	DIN-A 4
part no:	See Table	sh: 1/1