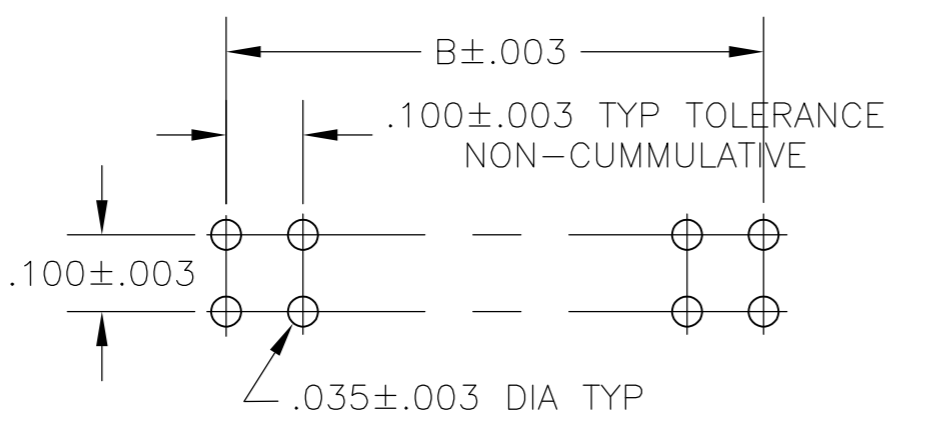
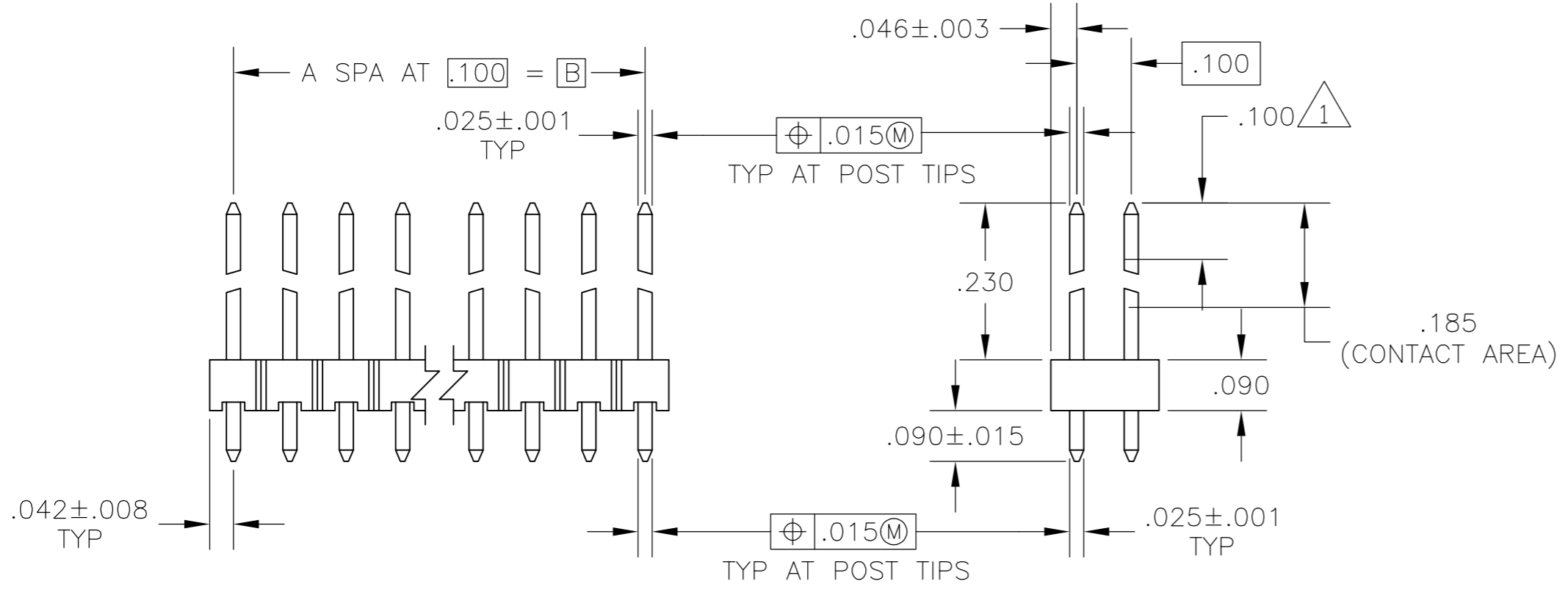
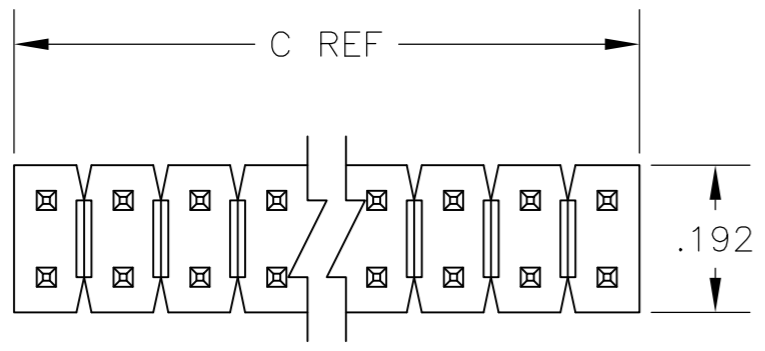


THIS DRAWING IS UNPUBLISHED. RELEASED FOR PUBLICATION
 © COPYRIGHT - By - ALL RIGHTS RESERVED.

LOC		DIST		REVISIONS				
P	LTR	DESCRIPTION			DATE	DWN	APVD	
	G2	REVISED PER ECO-11-004587			11MAR11	RK	HMR	



RECOMMENDED HOLE LAYOUT

- 1 POINT OF MEASUREMENT FOR PLATING THICKNESS
- 2 ASSEMBLIES MAY BE BROKEN TO THE DESIRED NUMBER OF POSITIONS
- 3 TRUE POSITION TOLERANCE OF THE POST TIPS APPLIES WHEN THE HEADERS ARE HELD FLAT AGAINST THE PRINTED CIRCUIT BOARD
- 4 .000030 GOLD ON THE CONTACT AREA, .000100-.000200 MATTE TIN-LEAD ON THE SOLDER TAIL, ALL OVER .000050 NICKEL
- 5 OBSOLETE PARTS: OBSOLETE CIS STREAMLINING PER D.RENAUD/D.SINISI

	C	B	A	NO OF POS	ASSEMBLY PART NUMBER
	3.984	3.900	39	80	4-103783-0
	3.884	3.800	38	78	3--9
	3.784	3.700	37	76	3--8
	3.684	3.600	36	74	3--7
	3.584	3.500	35	72	3--6
	3.484	3.400	34	70	3--5
	3.284	3.300	33	68	3--4
	3.284	3.200	32	66	3--3
	3.184	3.100	31	64	3--2
	3.084	3.000	30	62	3--1
	2.984	2.900	29	60	3--0
	2.884	2.800	28	58	2--9
	2.784	2.700	27	56	2--8
	2.684	2.600	26	54	2--7
	2.584	2.500	25	52	2--6
	2.484	2.400	24	50	2--5
	2.384	2.300	23	48	2--4
	2.284	2.200	22	46	2--3
	2.184	2.100	21	44	2--2
	2.084	2.000	20	42	2--1
	1.984	1.900	19	40	2--0
	1.884	1.800	18	38	1--9
	1.784	1.700	17	36	1--8
	1.684	1.600	16	34	1--7
	1.584	1.500	15	32	1--6
	1.484	1.400	14	30	1--5
	1.384	1.300	13	28	1--4
	1.284	1.200	12	26	1--3
	1.184	1.100	11	24	1--2
	1.084	1.000	10	22	1--1
	.984	.900	9	20	1--0
	.884	.800	8	18	--9
	.784	.700	7	16	--8
	.684	.600	6	14	--7
	.584	.500	5	12	--6
	.484	.400	4	10	--5
	.384	.300	3	8	--4
	.284	.200	2	6	--3
	.184	.100	1	4	--2
	.084	--	--	2	103783-1

THIS DRAWING IS A CONTROLLED DOCUMENT.

DWN: L.D.RINGLEY 7-25-85
 CHK: R.ELICKER 7-25-85
 APVD: R.ELICKER 7-25-85

DIMENSIONS: INCHES
 TOLERANCES UNLESS OTHERWISE SPECIFIED:
 0 PLC ± -
 1 PLC ± -
 2 PLC ± -
 3 PLC ± .005
 4 PLC ± -
 ANGLES ± -

MATERIAL: HOUSING-FLAME RETARDANT THERMOPLASTIC
 COLOR-BLACK
 POSTS: BRASS

FINISH: POSTS 4

TE Connectivity
 ASSEMBLY, MOD II, HEADER, BREAKAWAY, DOUBLE ROW, .100X .100 CL, WITH .025 SQUARE POSTS

SIZE: A2
 CAGE CODE: 00779
 DRAWING NO: 103783
 RESTRICTED TO: -

CUSTOMER DRAWING
 SCALE: 4:1
 SHEET: 1 of 1
 REV: G2