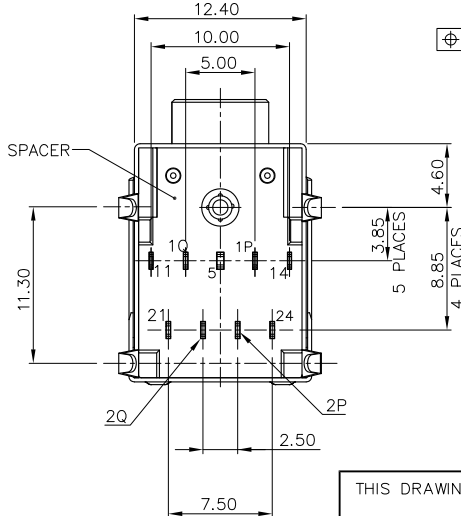
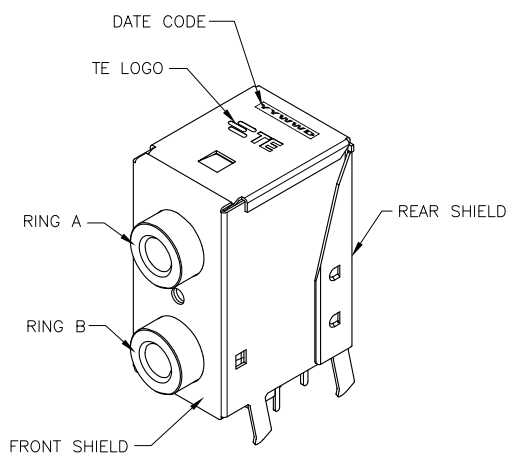


TOLERANCE: ±0.05, THICKNESS: 1.6
 RECOMMENDED PCB LAYOUT (TOP VIEW)

- NOTES:
- MATERIAL:
 - HOUSING/SPACER/INSULATOR: PA10T W/ 27% GF, UL94 V-0, BLACK COLOR.
 - RING A & B: PA10T W/ 45% GF, UL94 V-0, COLOR: (SEE TABLE).
 - RING CONTACT (# 11/21): PHOSPHOR BRONZE.
 - TIP CONTACT (# 14/24): PHOSPHOR BRONZE.
 - CN CONTACT (# 1P/2P): BRASS.
 - CS CONTACT (# 1Q/2Q): PHOSPHOR BRONZE.
 - GND CONTACT (# 5): BRASS.
 - BRIDGE CONTACT: BRASS.
 - FRONT SHIELD: SPCC.
 - REAR SHIELD: SPCC.
 - FINISH:
 - CONTACTS (# 11/21/14/24/5/1P/2P):
 2.54µm [100µ"] MIN. BRIGHT-TIN PLATING OVER
 1.27µm [50µ"] MIN. NICKEL ON ENTIRE CONTACT.
 - BRIDGE CONTACTS (# 1Q/2Q/1P/2P):
 GOLD FLASH PLATING ON CONTACT AREA,
 1.27µm [50µ"] MIN. NICKEL UNDERPLATED OVERALL.
 - FRONT SHIELD:
 1.27µm [50µ"] MIN. NICKEL PLATING OVER
 2.54µm [100µ"] MIN. COPPER ON ENTIRE FRONT SHIELD.
 - REAR SHIELD:
 1.27µm [50µ"] MIN. NICKEL PLATING OVER
 1.524µm [60µ"] MIN. COPPER ON ENTIRE REAR SHIELD.
 - REFLOW SOLDER CAPABLE TO 260°C PER TEC-109-201, METHOD B, CONDITION B.
 - NO PIN MARK ON THE PRODUCT.
 - SUBSTANCE RESTRICTIONS FOR LOW HALOGEN (BY WEIGHT):
 - BROMINE (Br) ≤ 900 PPM (0.09%)
 - CHLORINE (Cl) ≤ 900 PPM (0.09%)
 - TOTAL CONCENTRATION OF CHLORINE (Cl) + BROMINE (Br) ≤ 1500 PPM (0.15%)

OBSOLETE	BLACK	BLACK	6-1775390-6
	LIME/577C	BLUE/284C	4-1775390-1
	LIME/577C	BLUE/284C	2-1775390-1
	GRAY/422C	BLACK/426C	1775390-5
	ORANGE/157C	LIME/577C	1775390-4
OBSOLETE	BLUE/284C	PINK/701C	1775390-3
	PINK/701C	LIME/577C	1775390-2
OBSOLETE	LIME/577C	BLUE/284C	1775390-1
	JACK B	JACK A	PART NUMBER
	HOUSING COLOR		

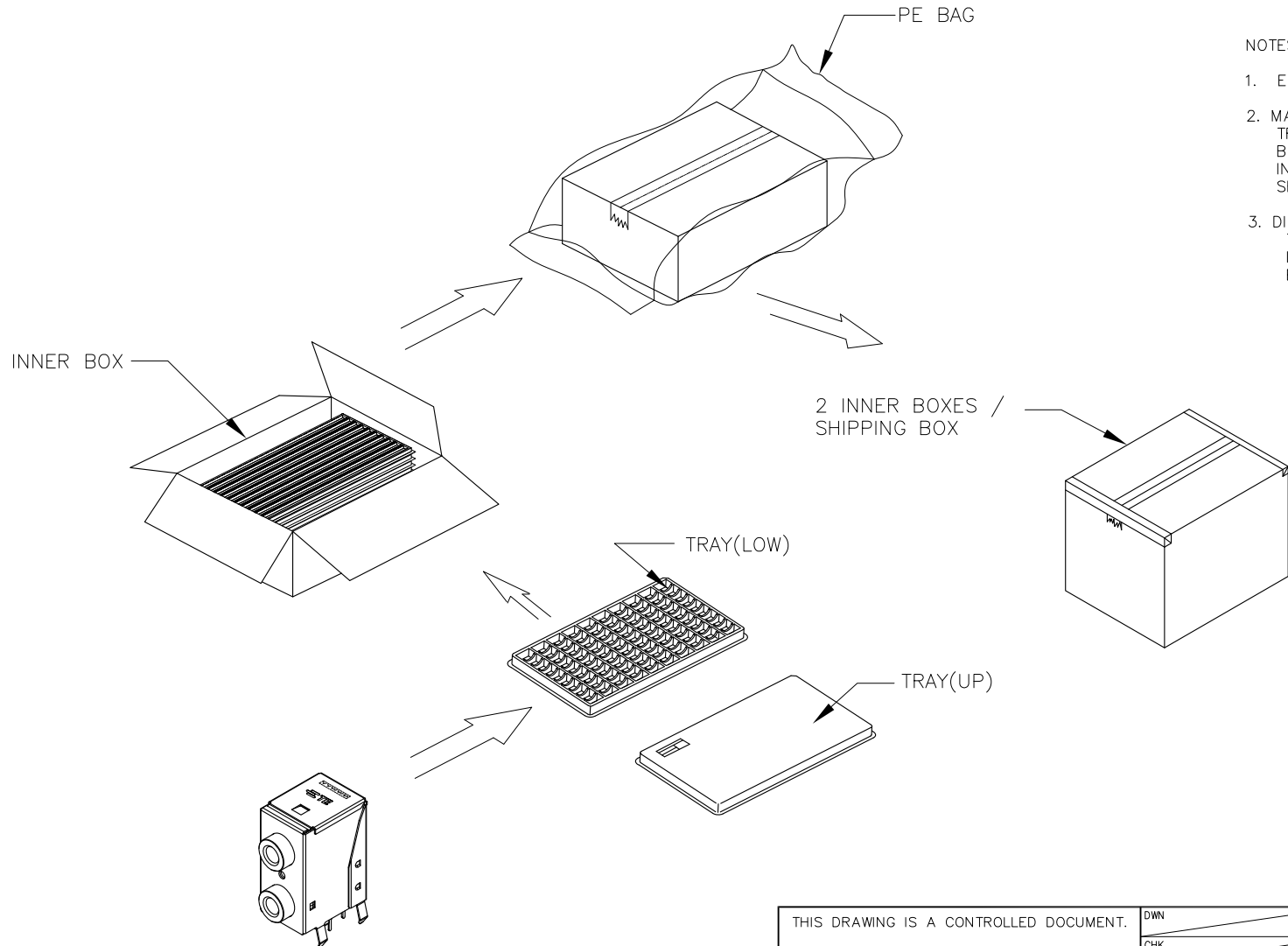


THIS DRAWING IS A CONTROLLED DOCUMENT.

DIMENSIONS: MM	TOLERANCES UNLESS OTHERWISE SPECIFIED:	DWN A. WU 21NOV2012	TE Connectivity STACKED Ø3.5 EARPHONE JACK
	0 PLC ± -	CHK S. CHIEN 21NOV2012	
	1 PLC ± 0.3	APVD W. KODAMA 21NOV2012	
	2 PLC ± 0.2	NAME	
	3 PLC ± 0.15	PRODUCT SPEC	108-57516
	4 PLC ± -	APPLICATION SPEC	
	ANGLES ± ± 3°	WEIGHT	9.65 GRAM
MATERIAL SEE NOTE	FINISH SEE NOTE	SIZE	A3
		CAGE CODE	00779
		DRAWING NO	C=1775390
		RESTRICTED TO	
		CUSTOMER DRAWING	
		SCALE	
		SHEET	1 OF 2
		REV	G

THIS DRAWING IS UNPUBLISHED. RELEASED FOR PUBLICATION AUG ,2006..
 © COPYRIGHT 2012 BY TE CONNECTIVITY. ALL RIGHTS RESERVED.

LOC DW	DIST	REVISIONS				
P	LTR	DESCRIPTION	DATE	DWN	APVD	
		SEE SHEET 1.				



- NOTES:
1. EACH BAG SHALL BE INCLUDED DESICCANT.
 2. MATERIAL:
 TRAY: PVC.
 BAG: PE.
 INNER BOX: CORRUGATED FIBERBOARD.
 SHIPPING BOX: CORRUGATED FIBERBOARD.
 3. DIMENSION:
 TRAY: 412 X 226 mm.
 INNER BOX: L= 422mm, W= 238mm, H= 114mm.
 BOX: L= 495mm, W= 435mm, H= 140mm.

11.5	9.65	100	5	2	1000
G/W (Kg)	N/W (Kg)	PCS/ TRAY	TRAYS/ BOX	INNER BOXES/ BOX	QUANTITY (PCS)

THIS DRAWING IS A CONTROLLED DOCUMENT.		DWN	STE TE Connectivity		
DIMENSIONS: MM		CHK			
TOLERANCES UNLESS OTHERWISE SPECIFIED:		APVD	NAME		
0 PLC ± -		PRODUCT SPEC	STACKED ø3.5 EARPHONE JACK		
1 PLC ± -		APPLICATION SPEC	SIZE	CAGE CODE	DRAWING NO
2 PLC ± -		WEIGHT	A3	00779	©=1775390
3 PLC ± -		CUSTOMER DRAWING	RESTRICTED TO		-
4 PLC ± -			SCALE	SHEET	REV
ANGLES ± -			-	2 OF 2	G
FINISH					