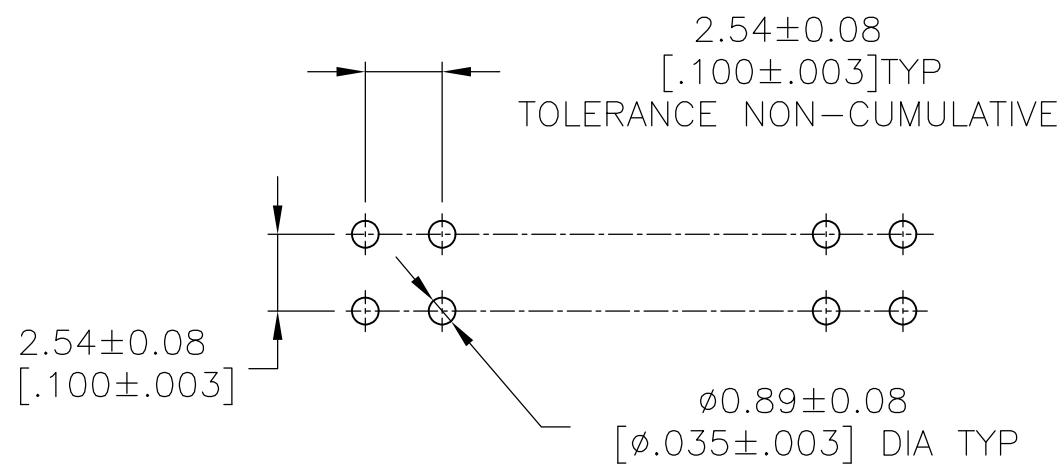
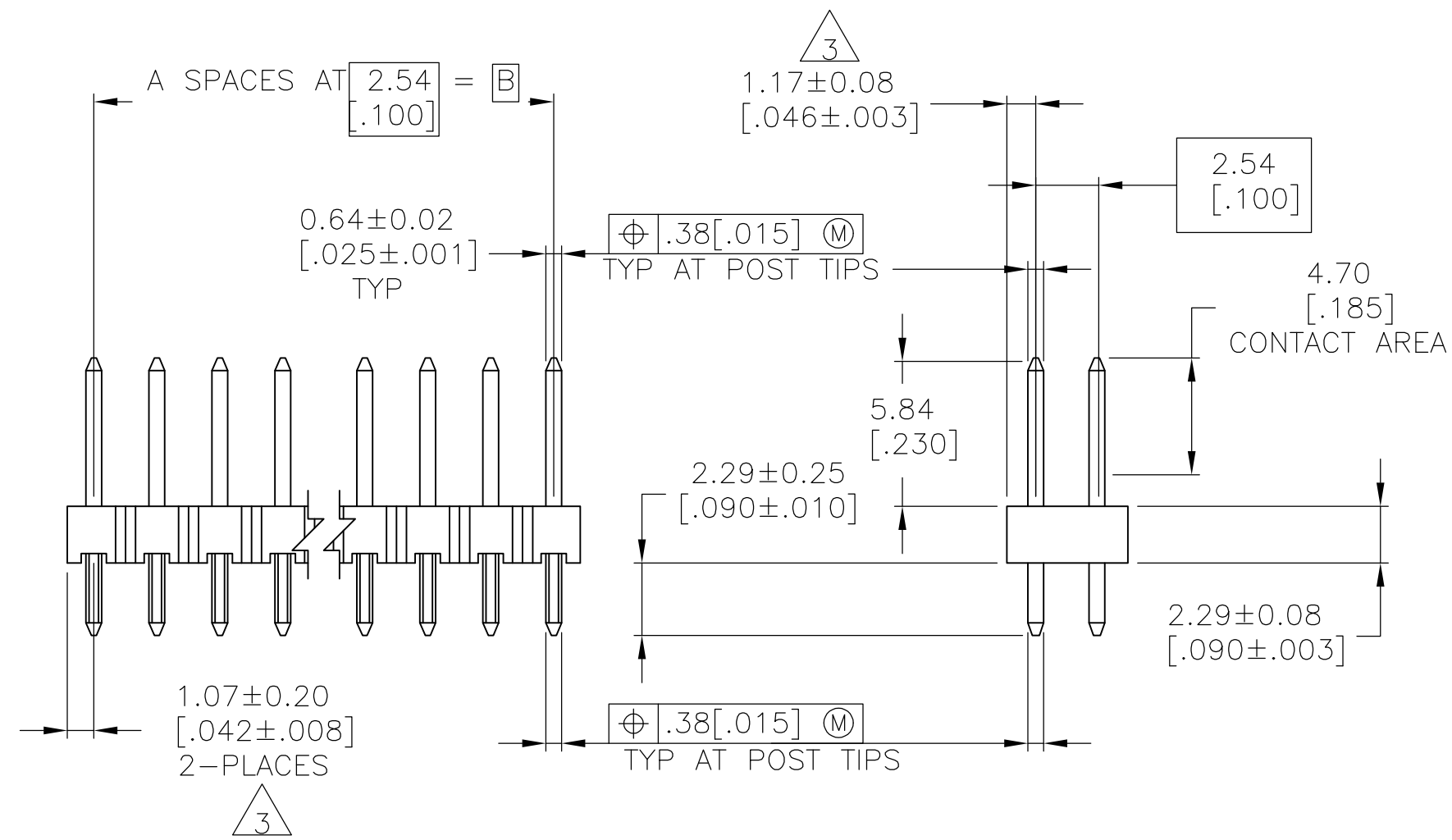
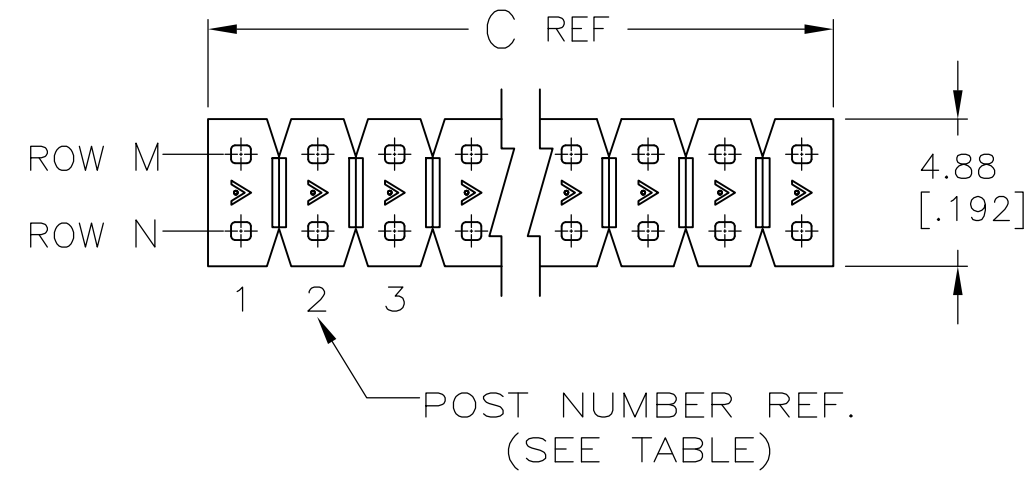


THIS DRAWING IS UNPUBLISHED. RELEASED FOR PUBLICATION
 © COPYRIGHT - By - ALL RIGHTS RESERVED.

LOC		DIST		REVISIONS					
AD	00	P	LTR	DESCRIPTION			DATE	DWN	APVD
		H		REVISED PER ECO-14-000066			30JUN2014	NK	MM



- 1 ASSEMBLY MAY BE BROKEN TO THE DESIRED NUMBER OF POSITIONS
- 2 TRUE POSITION TOLERANCE OF THE POSTS TIPS APPLIES WHEN THE HEADER IS HELD FLAT AGAINST THE PRINTED CIRCUIT BOARD.
- 3 THE NOTED DIMENSION APPLIES AT THE INTERSECTION OF THE POST AND HOUSING.
- 4 FINISH: 0.000127 [.000005] GOLD ON CONTACT AREA, 0.00254-0.00508 [.000100-.000200] MATTE TIN-LEAD ON SOLDER TAIL ALL OVER 0.00127 [.000050] NICKEL.
- 5 FINISH: 0.000127 [.000005] GOLD ON CONTACT AREA, 0.00254-0.00508 [.000100-.000200] MATTE TIN ON SOLDER TAIL ALL OVER 0.00127 [.000050] NICKEL.
- 6 HIGH TEMPERATURE CONFIGURATION.

6	5	NONE	10	50.39 [1.984]	48.26 [1.900]	19	39	40	5-146222-1
	4	NONE	10	50.39 [1.984]	48.26 [1.900]	19	39	40	146222-1
REMARKS	PLATING	ROW N	ROW M	C	B	A	NO.OF ACTIVE POSN.	NO. OF POSN.	ASSEMBLY PART NUMBER
		POST OMITTED							

THIS DRAWING IS A CONTROLLED DOCUMENT.

DWN: T. HOFFMAN 6-3-95
 CHK: G.DUBNICZKI 15-3-95
 APVD: G.DUBNICZKI 15-3-95

TE Connectivity

NAME: G.DUBNICZKI
 PRODUCT SPEC: -
 APPLICATION SPEC: -

SIZE: A2 CAGE CODE: 00779 DRAWING NO: 146222 RESTRICTED TO: -

MATERIAL: HOUSING: FLAME RETARDANT THERMOPLASTIC. COLOR: BLACK. POSTS: COPPER ALLOY. FINISH: SEE TABLE. WEIGHT: -

RESTRICTED CUSTOMER SCALE: 4:1 SHEET: 1 of 1 REV: H