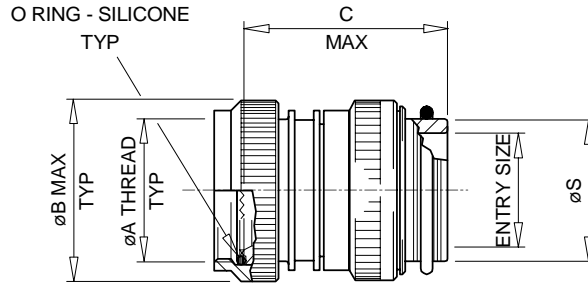
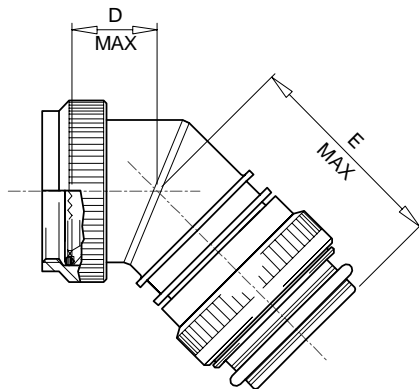
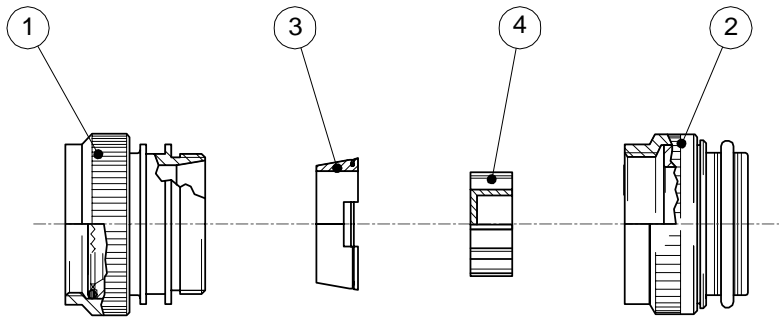


SPECIFICATION CONTROL DRAWING

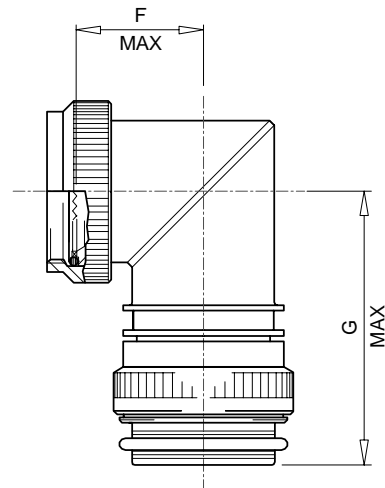
| | | |
|------------------|------------------|-----------------------|
| REV: A | DCR # D060250 | DATE: AUG 17, 2006 |
|------------------|------------------|-----------------------|



STRAIGHT ADAPTOR
- 00



45° ADAPTOR
- 45



90° ADAPTOR
- 90

© 2006 Tyco Electronics Corporation. All rights reserved.

| | | | | |
|--|-------------------------|---|------------------------|--------------------------|
| <p style="font-size: small;">Product Brand: Raychem</p> <p style="font-size: x-small;">300 Constitution Drive Menlo Park, CA 94025, USA</p> | | <p style="font-size: small;">TITLE:</p> <p style="text-align: center;">HEXASHIELD ADAPTOR FOR CODE 41 CONNECTORS- TINEL CLAMPING NUT</p> | | |
| <p>UNLESS OTHERWISE SPECIFIED DIMENSIONS ARE IN MILLIMETERS. INCH DIMENSIONS ARE SHOWN IN BRACKETS</p> | | <p>DOCUMENT NO.</p> <p style="text-align: center;">HEX41-AY-YY-YY-AYY-2-YY</p> | | |
| <p>DRAWN: IRT</p> | <p>DATE: FEB 03</p> | <p>FILE: D060250</p> | <p>SCALE: NONE</p> | <p>SHEET: 1 OF 4</p> |

SPECIFICATION CONTROL DRAWING

| | | |
|------------------|------------------|-----------------------|
| REV: A | DCR # D060250 | DATE: AUG 17, 2006 |
|------------------|------------------|-----------------------|

KIT DESCRIPTION



| ITEM | DESCRIPTION | MATERIAL |
|------|---------------------------------|-----------------|
| 1 | BODY ASSEMBLY | ALUMINIUM ALLOY |
| 2 | TINEL CLAMPING ADAPTOR ASSEMBLY | ALUMINIUM ALLOY |
| | TINEL-LOCK™ RING | TINEL-X™ |
| 3 | CONIC RING | ALUMINIUM ALLOY |
| 4 | STAR | ALUMINIUM ALLOY |

TABLE OF DIMENSIONS

| Order Number | Shell Size | | Tinel Entry Size | ØA Thread UNEF 2B | ØB Max | ØC Max | D Max | E Max | F Max | G Max | Ferrule Quantity | |
|--------------|------------|--------|------------------|-------------------|-----------------|-----------------|-----------------|-----------------|-----------------|-----------------|------------------|------|
| | Ser I | Ser II | | | | | | | | | Std. | Opt. |
| 09 | 09 | 08 | 05 | 0.4375"-28 | 19.0 [0.75"] | 38.5 [1.52"] | 12.5 [0.49"] | 38.5 [1.52"] | 16.0 [0.63"] | 42.0 [1.65"] | 1 | - |
| 11 | 11 | 10 | 08 | 0.5625"-24 | 22.0 [0.87"] | 38.5 [1.52"] | 13.0 [0.51"] | 39.0 [1.54"] | 17.5 [0.69"] | 43.5 [1.71"] | 2 | - |
| 13 | 13 | 12 | 10 | 0.6875"-24 | 25.5 [1.00"] | 38.5 [1.52"] | 14.0 [0.55"] | 39.5 [1.56"] | 19.0 [0.75"] | 45.0 [1.77"] | 3 | - |
| 15 | 15 | 14 | 12 | 0.8125"-20 | 30.5 [1.20"] | 38.5 [1.52"] | 14.5 [0.57"] | 40.5 [1.60"] | 20.5 [0.81"] | 46.5 [1.83"] | 5 | - |
| 17 | 17 | 16 | 14 | 0.9375"-20 | 33.5 [1.32"] | 38.5 [1.52"] | 15.0 [0.59"] | 41.0 [1.61"] | 22.0 [0.87"] | 48.0 [1.89"] | 6 | 7 |
| 19 | 19 | 18 | 16 | 1.0625"-18 | 37.0 [1.46"] | 38.5 [1.52"] | 15.5 [0.61"] | 41.5 [1.63"] | 23.5 [0.93"] | 49.5 [1.95"] | 7 | 8 |
| 21 | 21 | 20 | 18 | 1.1875"-18 | 38.5 [1.52"] | 38.5 [1.52"] | 16.5 [0.65"] | 42.5 [1.67"] | 25.5 [1.00"] | 51.5 [2.03"] | 9 | 11 |
| 23 | 23 | 22 | 20 | 1.3125"-18 | 42.0 [1.65"] | 38.5 [1.52"] | 17.0 [0.67"] | 43.0 [1.69"] | 27.0 [1.06"] | 53.0 [2.09"] | 10 | 13 |
| 25 | 25 | 24 | 20 | 1.4375"-18 | 46.5 [1.83"] | 46.0 [1.81"] | 18.0 [0.71"] | 51.5 [2.03"] | 28.5 [1.12"] | 62.0 [2.44"] | 12 | 18 |

| Tinel Entry Size | ØS |
|------------------|-------------------------------|
| 05 | 10.97/11.13 [0.432/0.438"] |
| 08 | 15.72/15.91 [0.619/0.626"] |
| 10 | 18.84/19.11 [0.742/0.752"] |
| 12 | 22.02/22.28 [0.867/0.877"] |

| Tinel Entry Size | ØS |
|------------------|-------------------------------|
| 14 | 25.17/25.46 [0.991/1.002"] |
| 16 | 28.34/28.63 [1.116/1.127"] |
| 18 | 31.52/31.81 [1.241/1.252"] |
| 20 | 34.69/34.98 [1.366/1.377"] |

| | | | | | |
|---|--|---|------------------|----------------|------------------|
|  | Product Brand:  300 Constitution Drive Menlo Park, CA 94025, USA | TITLE: <h3 style="text-align: center;">HEXASHIELD ADAPTOR FOR CODE 41 CONNECTORS- TINEL CLAMPING NUT</h3> | | | |
| UNLESS OTHERWISE SPECIFIED DIMENSIONS ARE IN MILLIMETERS. INCH DIMENSIONS ARE SHOWN IN BRACKETS | Tyco Electronics reserves the right to amend this drawing at any time. Users should evaluate the suitability of the product for their application. | DOCUMENT NO. <h3 style="text-align: center;">HEX41-AY-YY-YY-AYY-2-YY</h3> | | | |
| DRAWN: IRT | DATE: FEB 03 | <table border="1" style="width: 100%; border-collapse: collapse;"> <tr> <td style="width: 33%;">FILE: D060250</td> <td style="width: 33%;">SCALE: NONE</td> <td style="width: 34%;">SHEET: 2 OF 4</td> </tr> </table> | FILE: D060250 | SCALE: NONE | SHEET: 2 OF 4 |
| FILE: D060250 | SCALE: NONE | SHEET: 2 OF 4 | | | |

SPECIFICATION CONTROL DRAWING

| | | |
|------------------|------------------|-----------------------|
| REV: A | DCR # D060250 | DATE: AUG 17, 2006 |
|------------------|------------------|-----------------------|

PART NUMBERING

HEX41 - A B - 00 - 21 - A9 - 2 - DS

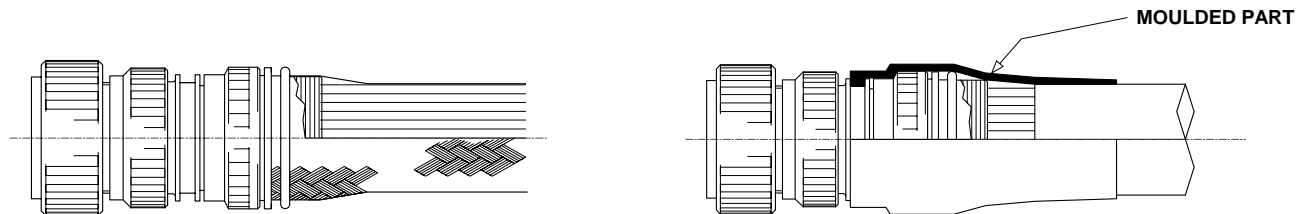
- CONNECTOR CODE NUMBER: _____
HEX41 = MIL-C-38999 SERIES I AND II
- MATERIAL CODE: _____
A = ALUMINIUM ALLOY
- PLATING CODE: _____
B = CADMIUM OLIVE DRAB TO QQ-P-416
C = ELECTROLESS NICKEL TO MIL-C-26074
- BODY STYLE _____
00 = STRAIGHT
45 = 45°
90 = 90°
- ORDER NUMBER _____
- FERRULE QUANTITY CODE _____
- 2 = TINEL CLAMPING ADAPTOR ASSEMBLY _____
- DS = DRILLED STAR - OPTIONAL - SEE NOTE 2 _____

APPLICATION

- These adaptors are designed to be mounted on the following connectors:

MIL-C-38999 Series I and II

- They are qualified to the Raychem specification RB-114, when installed on metallic Mil-Specification circular connectors only.
- They are designed for wire bundle installations having an overall braid terminated by means of a Tinel-Lock™ ring*.
- They are also designed to accept Raychem heat shrink moulded parts where strain relief is required – see illustrations.



- Use in conjunction with the ferrules HET-A-0XX, which are purchased separately. Refer to HET-A-0XX S.C.D. for relevant selection details.
- * Refer to TR S.C.D. for further information on Tinel-Lock™ rings.

INSTALLATION

- See Installation Procedure RPIP-696-04.

PACKAGING

- All components are supplied in a plastic bag.

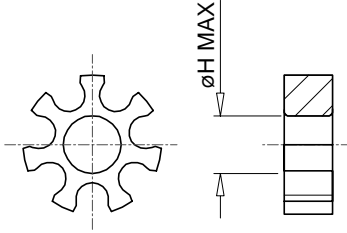
| | | | | | |
|---|--------|--|--|--|--------|
| | | Product Brand: 300 Constitution Drive Menlo Park, CA 94025, USA | TITLE: HEXASHIELD ADAPTOR FOR CODE 41 CONNECTORS- TINEL CLAMPING NUT | | |
| UNLESS OTHERWISE SPECIFIED DIMENSIONS ARE IN MILLIMETERS. INCH DIMENSIONS ARE SHOWN IN BRACKETS | | Tyco Electronics reserves the right to amend this drawing at any time. Users should evaluate the suitability of the product for their application. | | DOCUMENT NO. HEX41-AY-YY-YY-AYY-2-YY | |
| DRAWN: | DATE: | FILE: | | SCALE: | SHEET: |
| IRT | FEB 03 | D060250 | | NONE | 3 OF 4 |

SPECIFICATION CONTROL DRAWING

| | | |
|------------------|------------------|-----------------------|
| REV: A | DCR # D060250 | DATE: AUG 17, 2006 |
|------------------|------------------|-----------------------|

NOTES!

1. Item 4 - Star - is **not** supplied with Hexashield Order Number 09.
2. The DS option, illustrated below, is for a Drilled Star that is available on sizes 15 to 25 only. This option is to allow unshielded wires to pass through the assembly.

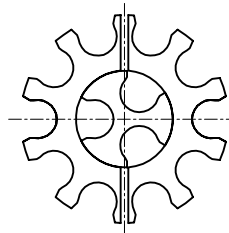


| STAR SIZE | 15 | 17 | 19 | 21 | 23 | 25 |
|-----------|----------------|----------------|----------------|-----------------|-----------------|-----------------|
| ØH MAX | 3.0 [0.12"] | 6.0 [0.24"] | 9.0 [0.35"] | 12.0 [0.47"] | 15.0 [0.59"] | 18.0 [0.71"] |

3. Where the ferrule quantities required are standard, the item 4 - Star - is also standard.
If the optional quantity is selected then 2 items 4 will be supplied - one "split" and the other one standard*,
See below for illustration.

EXAMPLE: FERRULE QUANTITY CODE -A13

-A13 = -A10 SPLIT STAR + -A3 STANDARD STAR



* On Order Number 19 only, the Optional Ferrule quantity of 8 uses a "standard" star also.

4. Assembly is to be permanently marked with Code Identity Number and Part Number.
(e.g. 06090 HEX41-AB-00-21-A9-2)

| | | | |
|---|-----------------|--|------------------|
| Product Brand: <b style="font-size: 1.2em;">Raychem 300 Constitution Drive Menlo Park, CA 94025, USA | | TITLE: <b style="text-align: center;">HEXASHIELD ADAPTOR FOR CODE 41 CONNECTORS- TINEL CLAMPING NUT | |
| UNLESS OTHERWISE SPECIFIED DIMENSIONS ARE IN MILLIMETERS. INCH DIMENSIONS ARE SHOWN IN BRACKETS | | Tyco Electronics reserves the right to amend this drawing at any time. Users should evaluate the suitability of the product for their application. | |
| DRAWN: IRT | DATE: FEB 03 | DOCUMENT NO. <b style="text-align: center;">HEX41-AY-YY-YY-AYY-2-YY | FILE: D060250 |
| | | SCALE: NONE | SHEET: 4 OF 4 |