

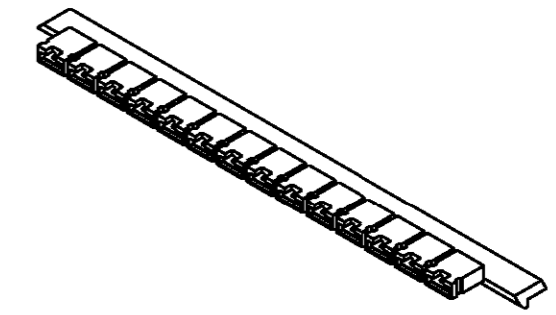
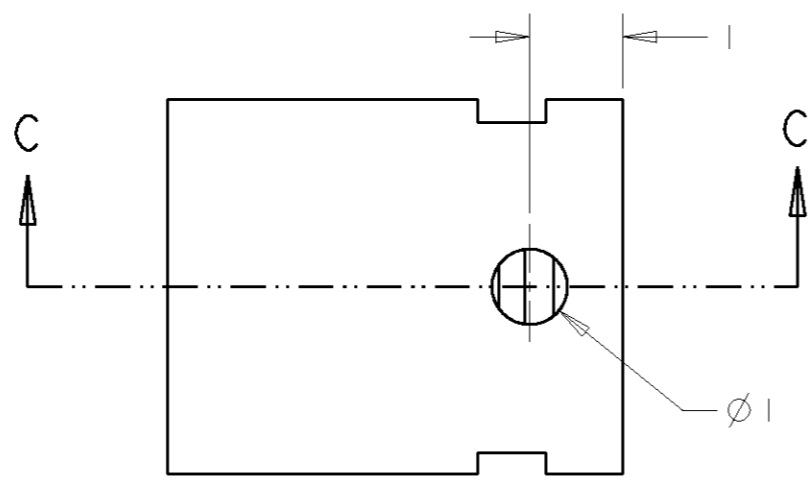
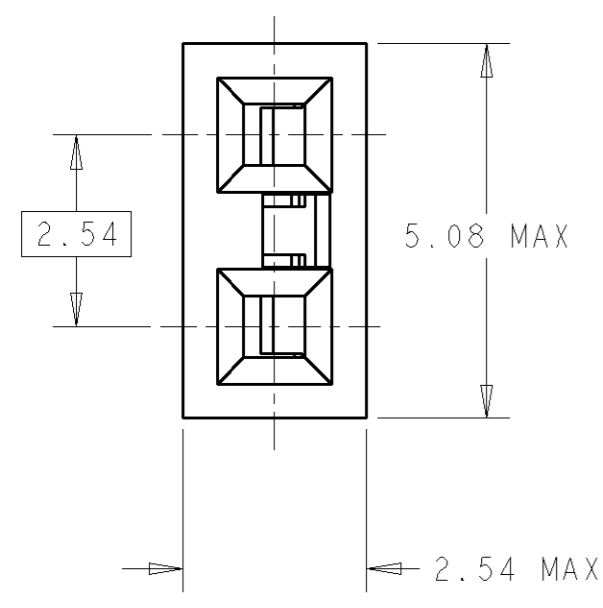
THIS DRAWING IS UNPUBLISHED.  
 DIFFUSION RESTREINTE

RELEASED FOR PUBLICATION  
 LIBRE A LA DIFFUSION

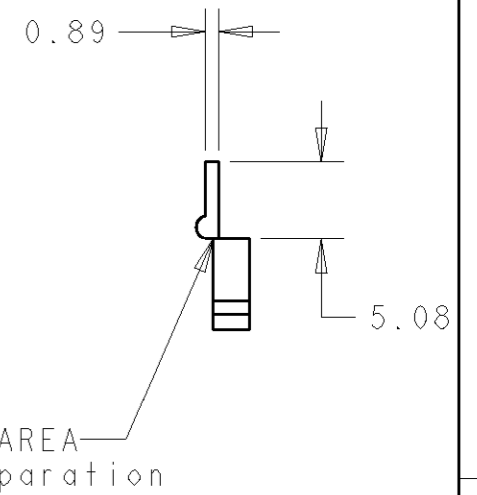
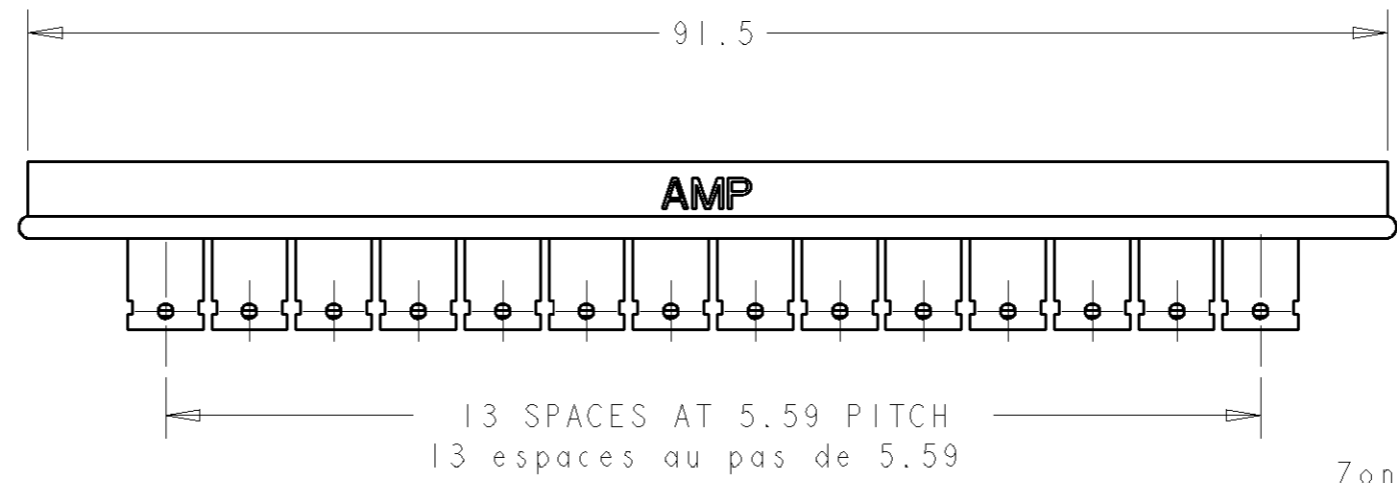
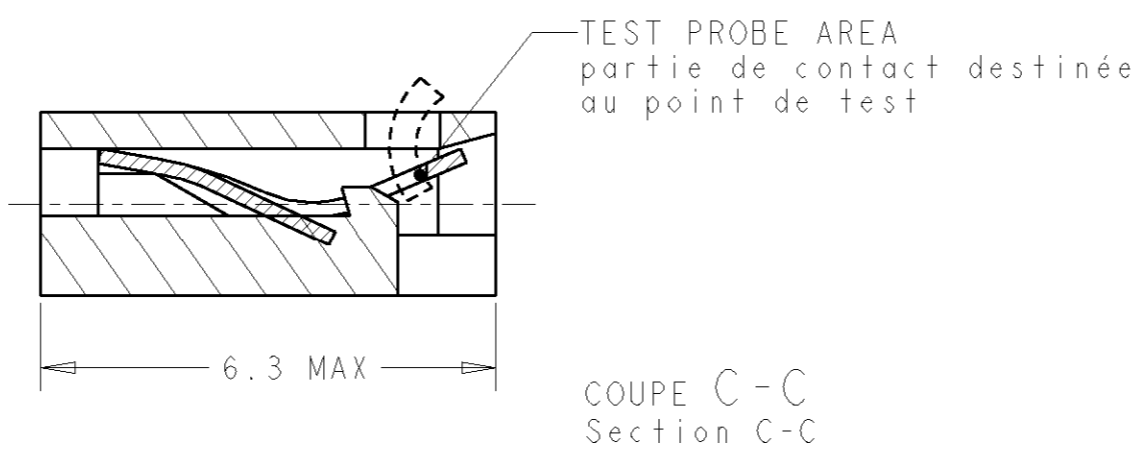
20

ALL RIGHTS RESERVED.  
 TOUS DROITS RESERVES

LOC	DIST	REVISIONS			
P	LTR REV	DESCRIPTION MODIFICATIONS	DATE	DWN DESS.	APVD APP.
F	00				
	C1	REVISED PER ECO-11-005150	03MAY11	RK	HMR



SCALE 1:1



NOTES :

1- MATES WITH 0.62X0.62 PINS  
 à utiliser avec bornes de 0.62X0.62mm

2- MATERIAL:  
 HOUSING : GLASS-FILLED PBT,  
 PBT chargé verre UL 94V0  
 CONTACT : BERYLLIUM COPPER -CuBe  
 FINISH : SEE TABLE - voir table

GOLD PLATED doré, 1 micron	GREY gris	<b>142270-7</b>
GOLD PLATED, CONTACT AREA doré zone de contact, 1 micron	GREEN vert	<b>142270-5</b>
TIN PLATED, LEAD FREE étamé à 3 microns	BLACK noir	<b>142270-3</b>
GOLD PLATED, CONTACT AREA doré zone de contact 0.4 microns	GREEN vert	<b>142270-1</b>
CONTACT FINITION	HOUSING COLOR CODE	PART NUMBER SHUNT ASS'Y

DIMENSIONS: mm		TOLERANCES UNLESS OTHERWISE SPECIFIED: TOLERANCES NON SPECIFIEES: (SUIV NB DE DECIMALES): 0 PLC/DEC: ±0.3 1 PLC/DEC: ±0.3 2 PLC/DEC: ± 3 PLC/DEC: ± 4 PLC/DEC: ± ANGLES ±3		DWN/DESSINE 02DEC2003 JJ. DESPRETZ		TE Connectivity	
MATERIAL/MATIERE SEE NOTE		FINISH/FINITION CONTACT SEE TABLE		CHK/VERIFIE Y-PETRONIN			
APVD/APPROUVE Y-PETRONIN		PRODUCT SPEC SPEC. PRODUIT		APPLICATION SPEC SPEC. APPLICATION		SIZE FORMAT A3	
WEIGHT/MASSE APPROX. -		CAGE CODE 00779		DRAWING NO No PLAN C-142270		RESTRICTED TO RESERVE A -	
CUSTOMER DRAWING /PLAN CLIENT		UNIQUEMENT POUR REFERENCE		SCALE/ECHELLE 0:1		SHEET FEUILLE OF DE REV C1	