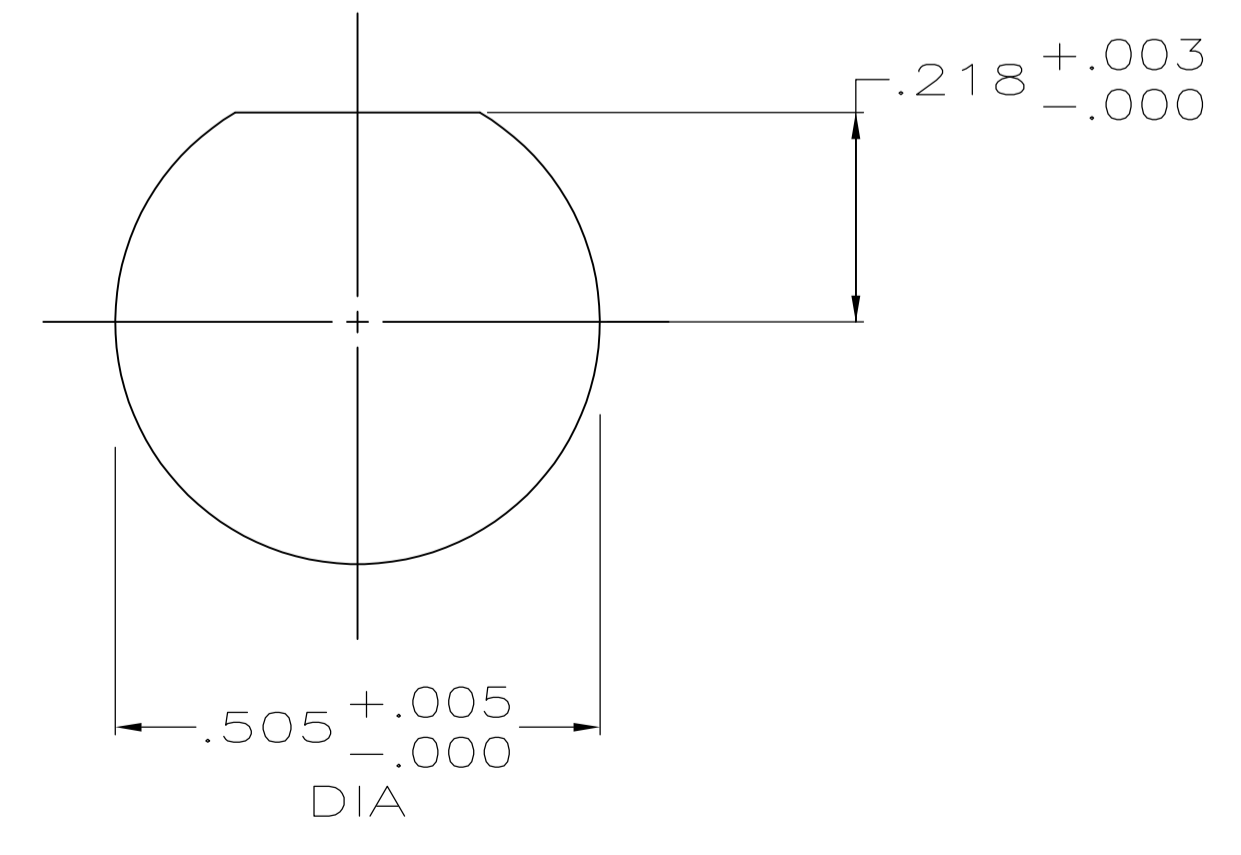
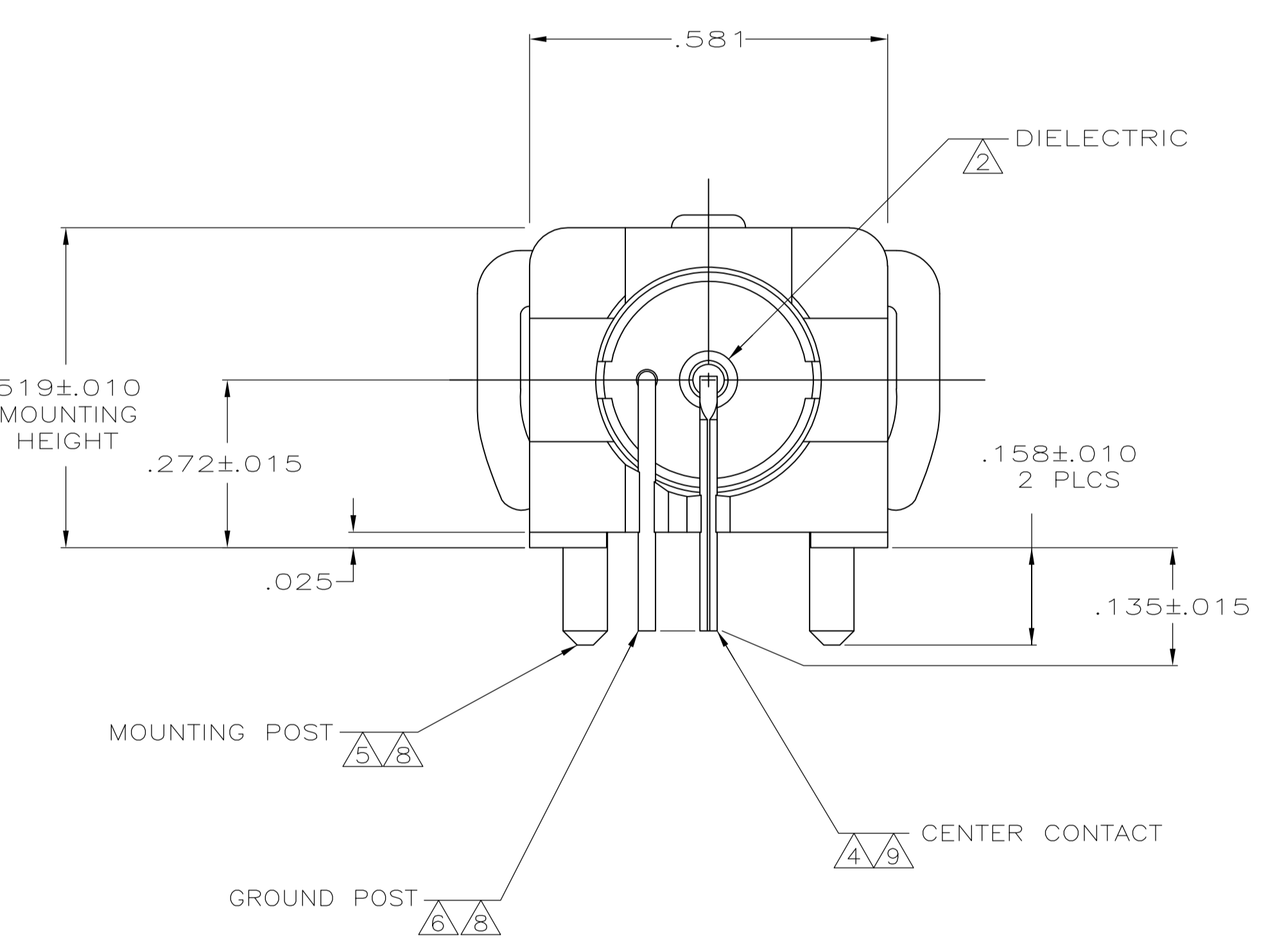
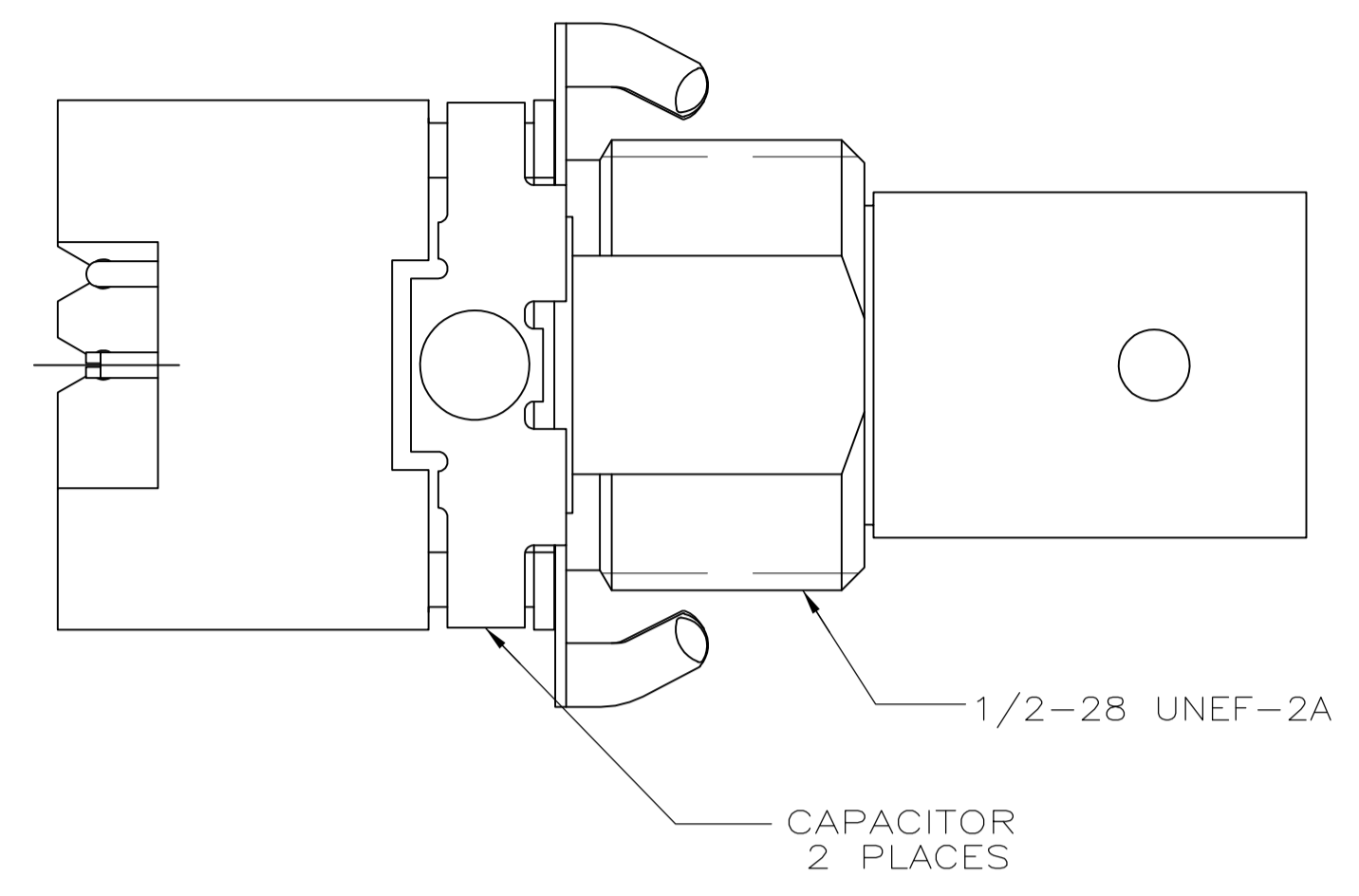


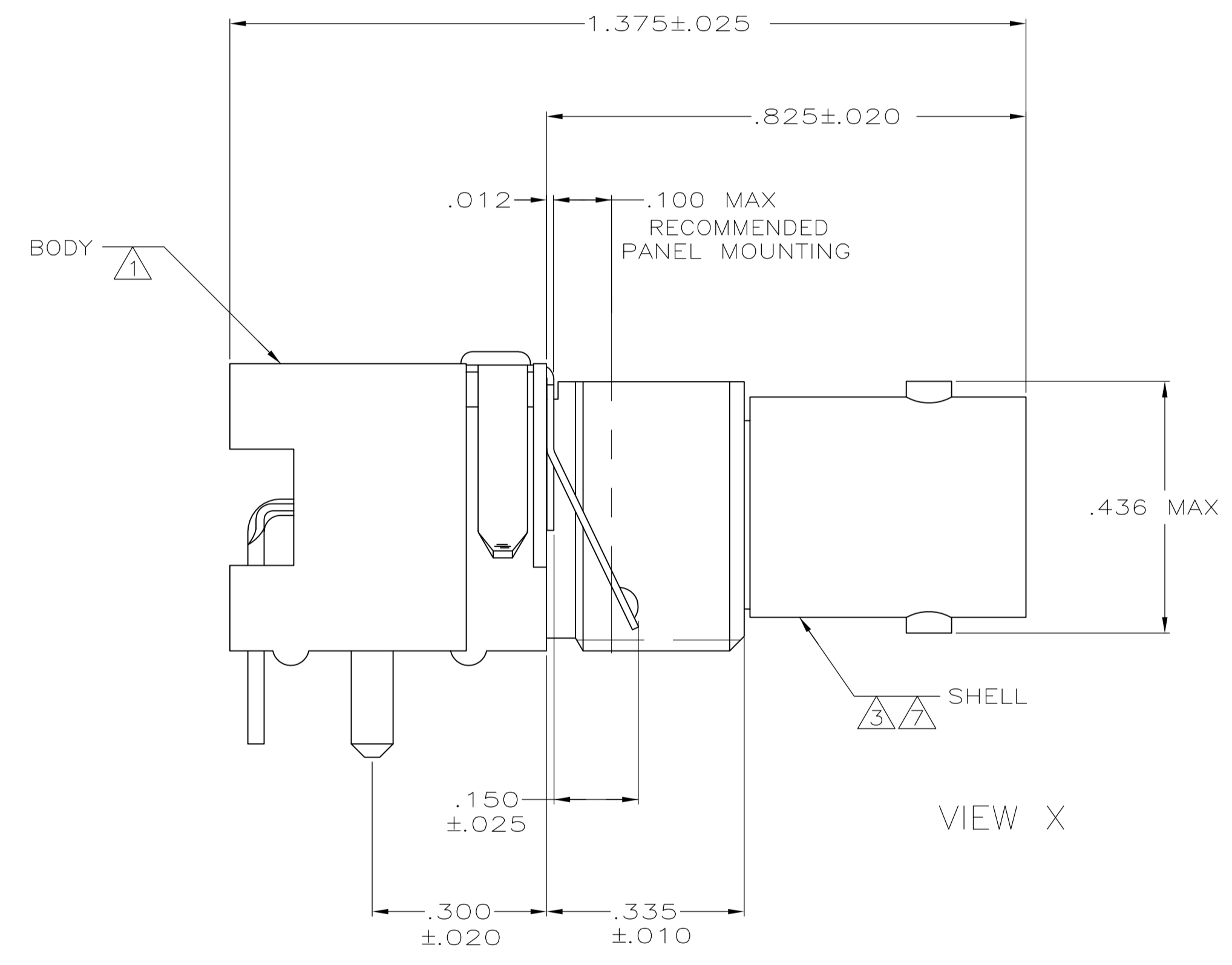
P.C.B. CONFIGURATION  
SCALE=10:1



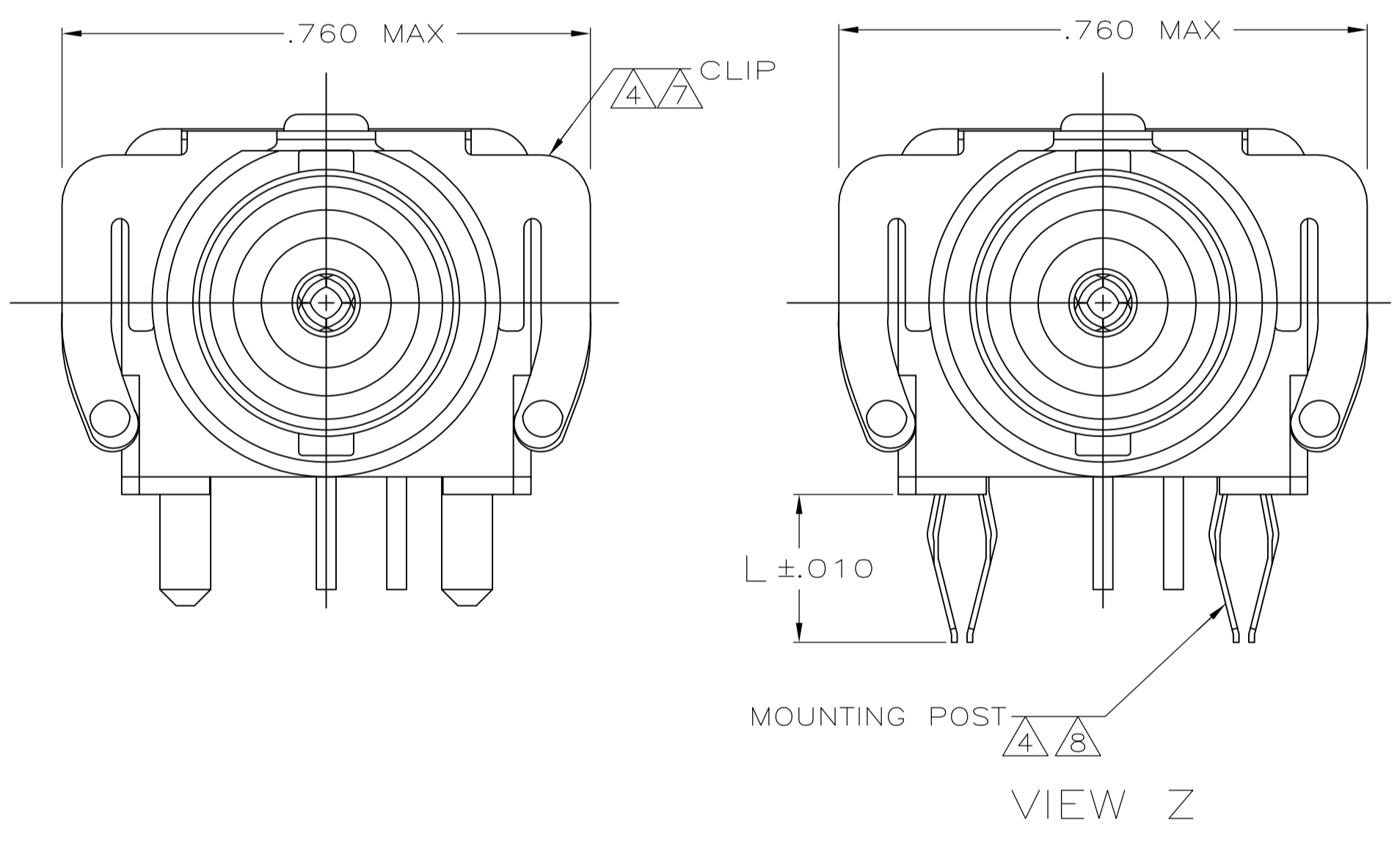
RECOMMENDED PANEL CUTOUT



- 1 POLYESTER, PBT, BLACK, PER MIL-M-24519.
- 2 POLYMETHYLPENTENE GENERAL PURPOSE.
- 3 ZINC PER QQ-Z-363.
- 4 PHOSPHOR BRONZE PER QQ-B-750.
- 5 BRASS PER QQ-B-626.
- 6 BRASS PER ASTM-B-453.
- 7 NICKEL PL PER QQ-N-290.
- 8 TIN PLATE PER ASTM-B-545.
- 9 SELECTIVELY GOLD PLATED ON INTERFACE AREA PER MIL-G-45204, .000030 THK, TIN PLATED ON SOLDER TAIL PER ASTM-B-545, ALL OVER NICKEL PL PER QQ-N-290.
- 10 TRAY PACKAGING.
- 11 OBSOLETE PARTS: OBSOLETE CIS STREAMLINING PER D.RENAUD/D.SINISI



VIEW X



VIEW Z

11	OBSOLETE	-	VIEW X	9400 pf, 1500 VDC	-1-5413515-2
		.110	VIEW Z	9400 pf, 1500 VDC	5413515-9
		.185	VIEW Z	9400 pf, 1500 VDC	5413515-8
		.110	VIEW Z	7900 pf, 1600 VDC	5413515-7
11	OBSOLETE	-	VIEW X	20000 pf, 500 VDC	-5413515-3
		-	VIEW X	9400 pf, 1500 VDC	5413515-2
L		MOUNTING POST	CAPACITANCE & VOLTAGE	PART NO	

THIS DRAWING IS A CONTROLLED DOCUMENT.

DIMENSIONS: INCHES	TOLERANCES UNLESS OTHERWISE SPECIFIED:	DIN L VARELA - 22APR2005	TE Connectivity
0 PLC ± - 1 PLC ± - 2 PLC ± - 3 PLC ± .008 4 PLC ± - ANGLES ± -	FINISH: 1 THRU 6, 7, 8, 9	CHK: J. HAVENER APVD: J. LIPPERT PRODUCT SPEC: 108-1269 APPLICATION SPEC:	
MATERIAL	THRU	WEIGHT	RESTRICTED TO
1	6	A1 00779	SCALE: 4:1 SHEET 1 of 1 REV C2