

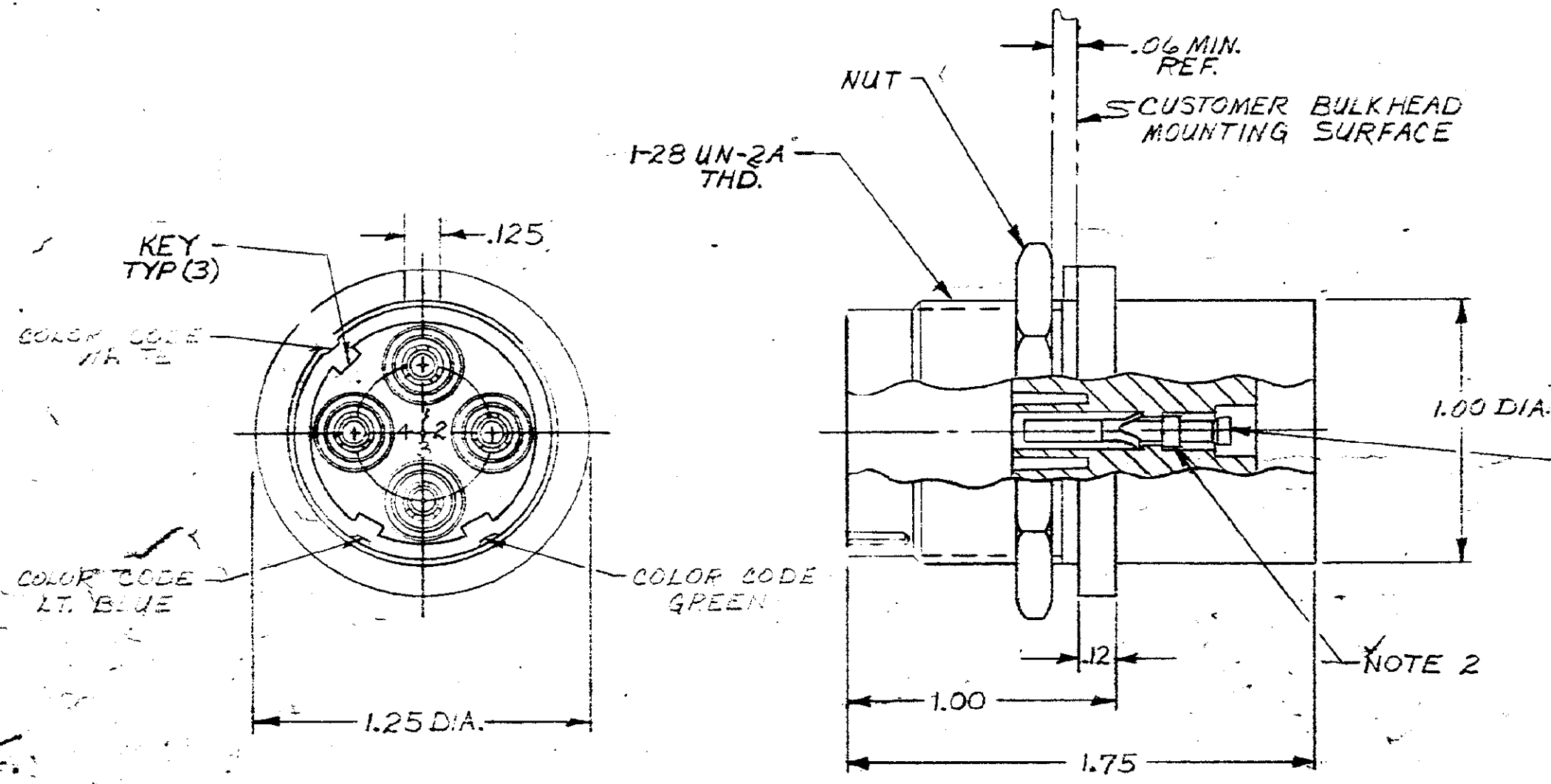
DRAWING MADE IN AMERICAN PROJECTION

© 1971 BY AMP INCORPORATED. ALL RIGHTS RESERVED. AMP PRODUCTS COVERED BY PATENTS AND/OR PATENTS PENDING.

Unpublished copy not to be reproduced or published without written permission of AMP Incorporated.

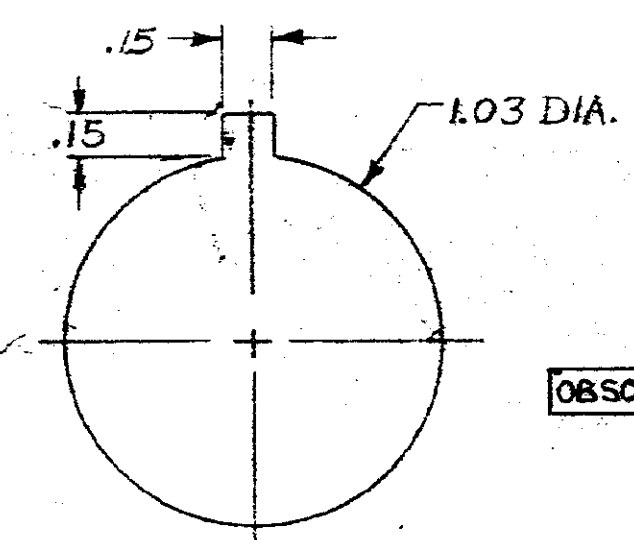
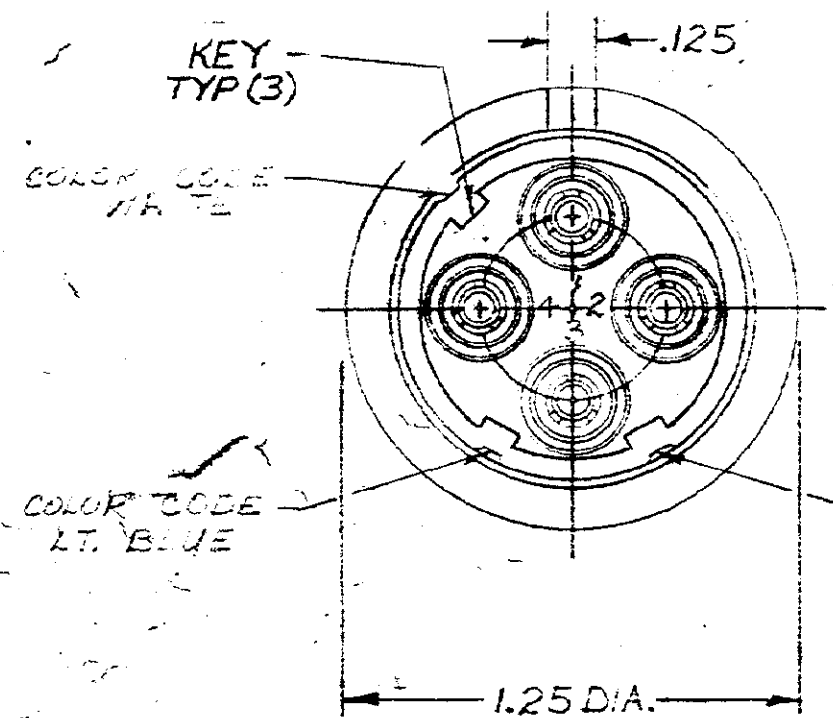
THIS PRODUCT DESIGNED AND BUILT BY AMP INCORPORATED. BY LICENSE TO USE THIS DESIGN IN CONSTRUCTION, AS TO THE USE OF OTHER OR FOREIGN PATENTS, THE USER IS ADVISED.

REVISIONS				
ZONE	LTR	DESCRIPTION	DATE	APPROVED
	E	REV. & REDRAWN WAS "B" SIZE	7-24-71	M.P.
	F	REV. NOTE 2 & POTTING MATERIAL	8-24-71	M.P.
	G	ADDED COLOR CODE/DELETED PORTION OF THD. 2, 3	5-17-72	M.P.
	H	REV. NOTE 2 ADDED 2		M.P.
	J	ADDED 3	2-26-76	M.P.
	K	ADDED -4, -5, -6	6-30-77	M.P.
	L	REV. PER E.C.N. 81667	2-26-78	M.P.
	M	ADDED -7	6-10-79	JG
	N	OBSOLETE -3	ECN 53615	11-5-86 R8



CUSTOMER TO ATTACH LEADS & PROTECT AGAINST APC-OVER & BREAKDOWN BY POTTING. SOCKETS TO BE COATED WITH RTV 21732 AND FILLED IN CAVITIES, AFTER CURING FILL BACK END OF RECEPTACLE WITH RTV 21

- NOTE:
1. CAVITY TO ACCEPT AMP SOCKETS, TYPE II 516GA. RECEPTACLE IS LOADED WITH SOCKETS, WHEN SHIPPED TO REMOVE SOCKETS, USE AMP EXTRACTION TOOL.
 2. TYPE II SOCKETS WILL ACCEPT (1) 22 AWG STRANDED WIRE, GOLD PLATED PER MIL-G-45204 TYPE II (NOT 50 MIL THICKNESS).
 3. RECEPTACLE WILL WITH STAND WITHOUT BREAKDOWN 27 KV DC PIN TO PIN & 27 KV DC PIN TO GRD. WHEN MATED WITH 859526, 859537 OR 859530.
 4. MARKING TO BE WHITE
 5. TYPE II SOCKETS WILL ACCEPT (1) 18 AWG OR (1) 18 AWG STRANDED WIRE.
 6. TYPE II SOCKETS TO ACCEPT ONE (1) 14 AWG STRANDED WIRE.
 7. SAME AS 859526-2, EXCEPT LESS SOCKETS.



CUSTOMER MOUNTING

AMP. P. N.	WIRE SIZE RANGE	HAND. TOOL	COLOR CODING
859526-1	20, 22, 24	45099	YES
859526-2	16, 18	45098	YES
OBSOLETE 859526-3	14	45098	YES
859526-4	20, 22, 24	45099	NO
859526-5	16, 18	45098	NO
859526-6	14	45099	NO
859526-7			YES

UNLESS OTHERWISE SPECIFIED: DIMENSIONS ARE IN INCHES TOLERANCES: .00 ± .02 ANGLES = .000 ± .015			
MATERIAL: MOLDED PLASTIC			
FINISH: BLACK			
NEXT ASSY	FINAL ASSY	NEXT ASSY	USER ON.
QTY REQD	APPLICATION		

ITEM NO.	DWG NO.	PART OR IDENTIFYING NO.	NOMENCLATURE OR DESCRIPTION	SYMBOL
			4 CAVITY FLANGED RECEPTACLE H.V.	LGH
CONTRACT NO. DR L. GEIB - 71			AMP INCORPORATED CAPITOL DIVISION ELIZABETHTOWN, PENNSYLVANIA	
CHK M. GARDNER 2-15-71			NAME	
APPRO DSGN APPD			SIZE C	CODE IDENT NO. 00773
OTHER APPD			NUMBER	859526
SCALE			SHEET 1 OF 1	