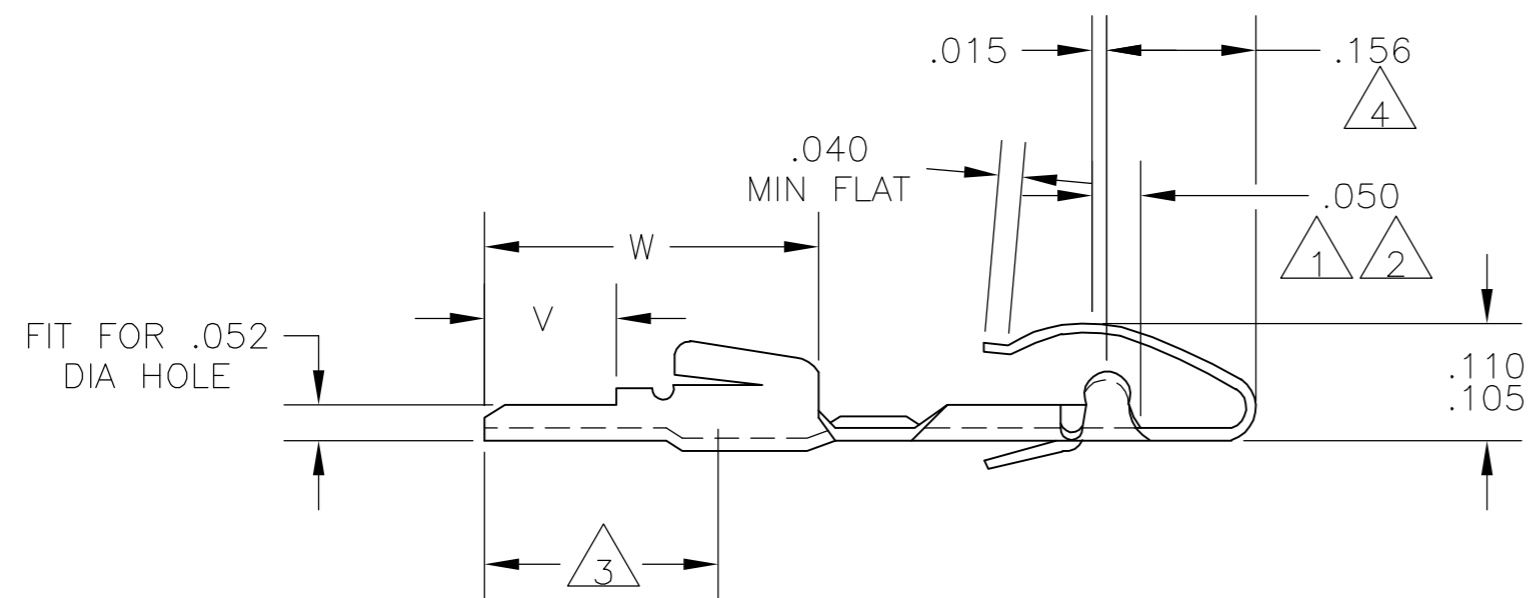
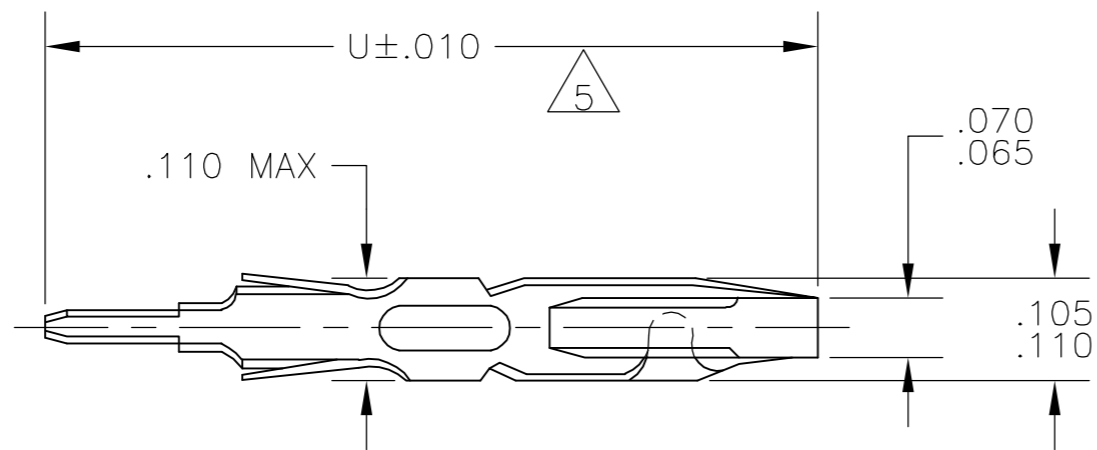


THIS DRAWING IS UNPUBLISHED. RELEASED FOR PUBLICATION
 © COPYRIGHT BY TYCO ELECTRONICS CORPORATION. ALL RIGHTS RESERVED.

LOC		DIST		REVISIONS			
AD	00	P	LTR	DESCRIPTION	DATE	DWN	APVD
			K	ECO-05-004683	17JAN06	BSV	MM

NOTE:
FINISH

- △1 .000030 GOLD OVER NICKEL SELECTIVE ON CONTACT AREA.
- △2 .000015 GOLD OVER .000050 NICKEL SELECTIVE ON CONTACT AREA.
- △3 GOLD FLASH OR TIN PLATE OVER NICKEL ON SOLDER TAB.
- △4 GOLD PLATING THICKNESS TO BE MEASURED WITH A MASK HAVING A .012 APERTURE LOCATED .156 FROM THE NOSE OF CONTACT
- △5 .000100/.000200 BRIGHT TIN LEAD PLATING ALL OVER, NICKEL UNDER PLATE ALL OVER.
- △6 GOLD FLASH OR MATTE TIN PLATE OVER NICKEL ON SOLDER TAB.



	1/16	△2 △1	△6 △6	.345	.120	.810	5-583294-2 5-583294-1
OBSOLETE	1/16		△5	.345	.120	.810	583294-8
OBSOLETE	3/32	△2		.375	.150	.840	583294-4
OBSOLETE			△1				583294-3
	1/16	△2	△1	.345	.120	.810	583294-2 583294-1
	BOARD THK	FINISH		W	V	U	PART NO.

THIS DRAWING IS A CONTROLLED DOCUMENT.		DWN	26SEP67	tyco Electronics	Tyco Electronics Corporation Harrisburg, PA 17105-3608			
DIMENSIONS: INCHES		CHK	14SEP67		AMP LEAF SOLDER DIP CONTACT FOR .052 DIA.HOLE			
TOLERANCES UNLESS OTHERWISE SPECIFIED:		APVD	18SEP67		SIZE	CAGE CODE	DRAWING NO	RESTRICTED TO
0 PLC ± -		PRODUCT SPEC		A2 00779 C=583294			-	
1 PLC ± -		APPLICATION SPEC		WEIGHT	-		SCALE 5:1	
2 PLC ± -		MATERIAL		PHOSPHOR BRONZE		SHEET 1 OF 1		
3 PLC ± -		FINISH		SEE TABLE		REV K		
4 PLC ± -		CUSTOMER DRAWING						
ANGLES ± -								

583294

A