

THIS DRAWING IS UNPUBLISHED. VERTRÄGLICHE UNVERPFLICHTETE ZEICHNUNG. RELEASED FOR PUBLICATION FREI FÜR VERÖFFENTLICHUNG. 2014. DATED WITH PASSEND ZU. COPYRIGHT 2014. Tyco Electronics AMP GmbH. ALL RIGHTS RESERVED. ALLE RECHTE VORBEHALTEN.

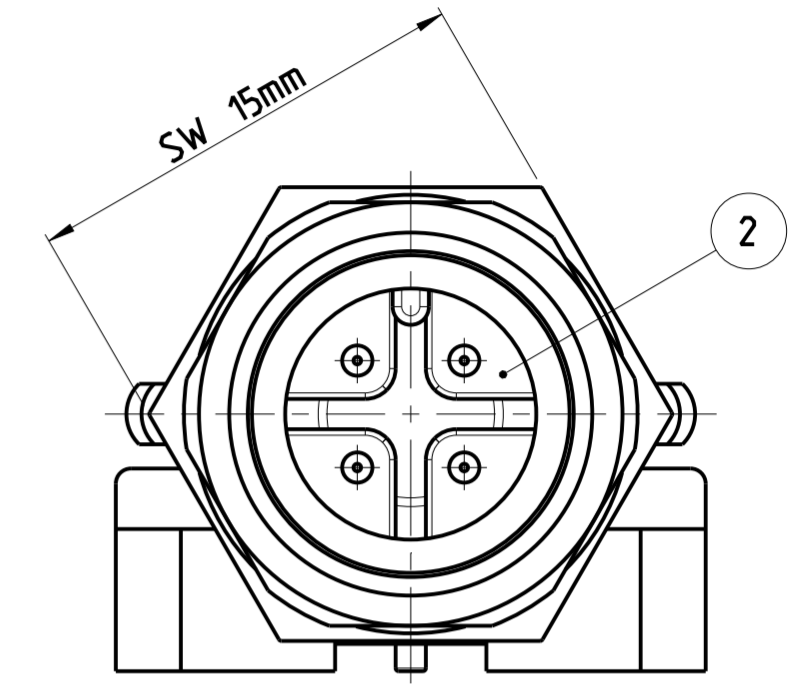
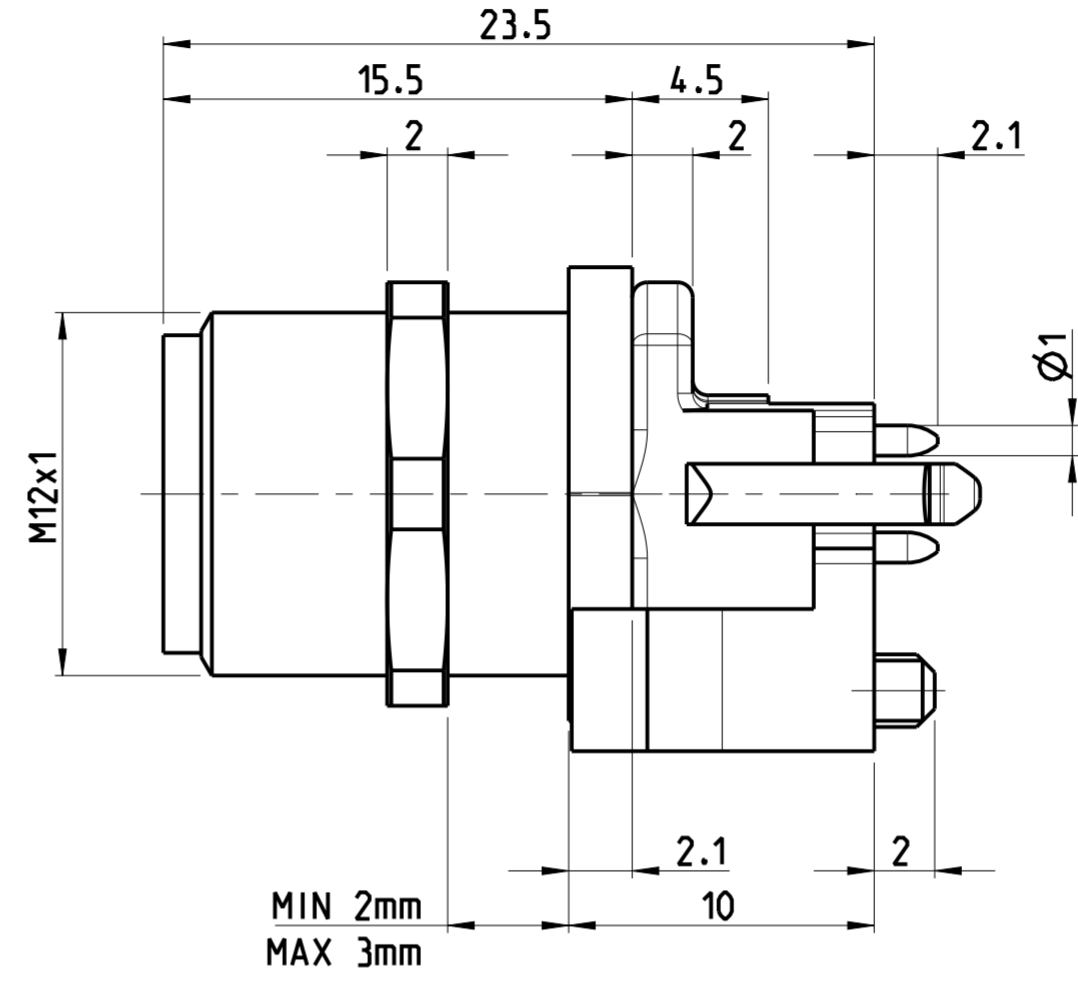
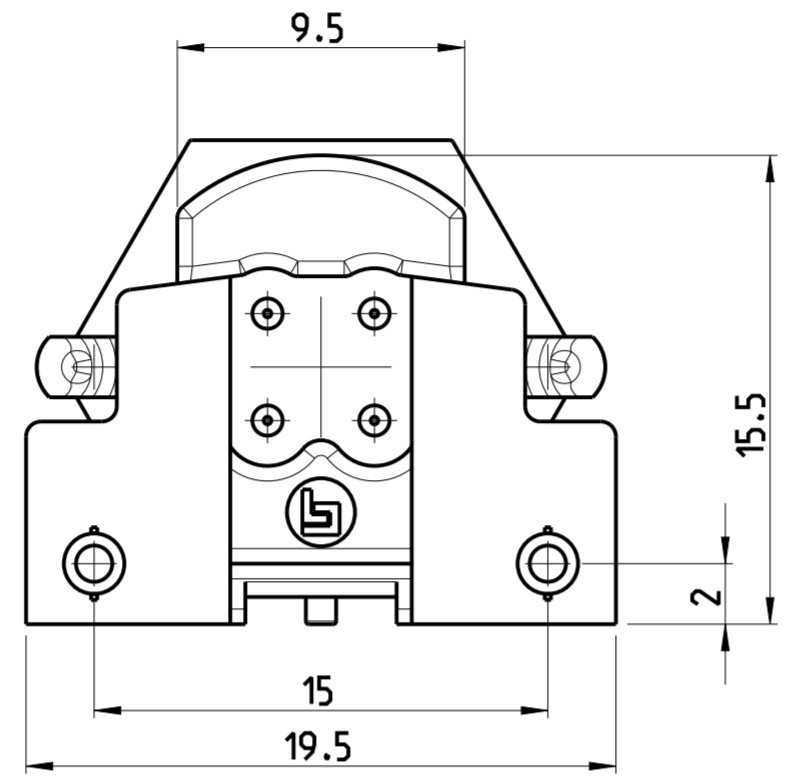
PROJECT NO.: PRJ-11-000004377

P	LTR	REVISIONS ÄNDERUNGEN DESCRIPTION BESCHREIBUNG	DATE	DWN	APVD
A		NEW RELEASE	04DEC2014	TJ	PS

NOTES:  
 1 MATERIAL: ITEM NO. 1: HOUSING - CuZn (BRASS, NICKEL PLATED)  
 ITEM NO. 2: CONTACT BODY - PA  
 ITEM NO. 3: CONTACT - CuZn (BRASS)  
 CONTACT FINISH - AU (GOLD)

2 ALL DIMENSIONS ARE FOR NOMINAL REFERENCE ONLY UNLESS OTHERWISE STATED

TECHNICAL DATA	3-2172070-2	4-2172070-2	5-2172070-2
RATED VOLTAGE	250V	125V	60V
RATED IMPULSE VOLTAGE	2500V	1500V	800V
POLLUTION DEGREE	3	3	3
OVERVOLTAGE CATEGORY	II	II	II
MATERIAL GROUP	III	III	III
RATED CURRENT	4A	4A	2A
VOLUME RESISTIVITY	≤ 3mΩ	≤ 3mΩ	≤ 3mΩ
DEGREE OF PROTECTION	IP68	IP68	IP68
UPPER TEMPERATURE	+85 °C	+85 °C	+85 °C
LOWER TEMPERATURE	-40 °C	+40 °C	+40 °C

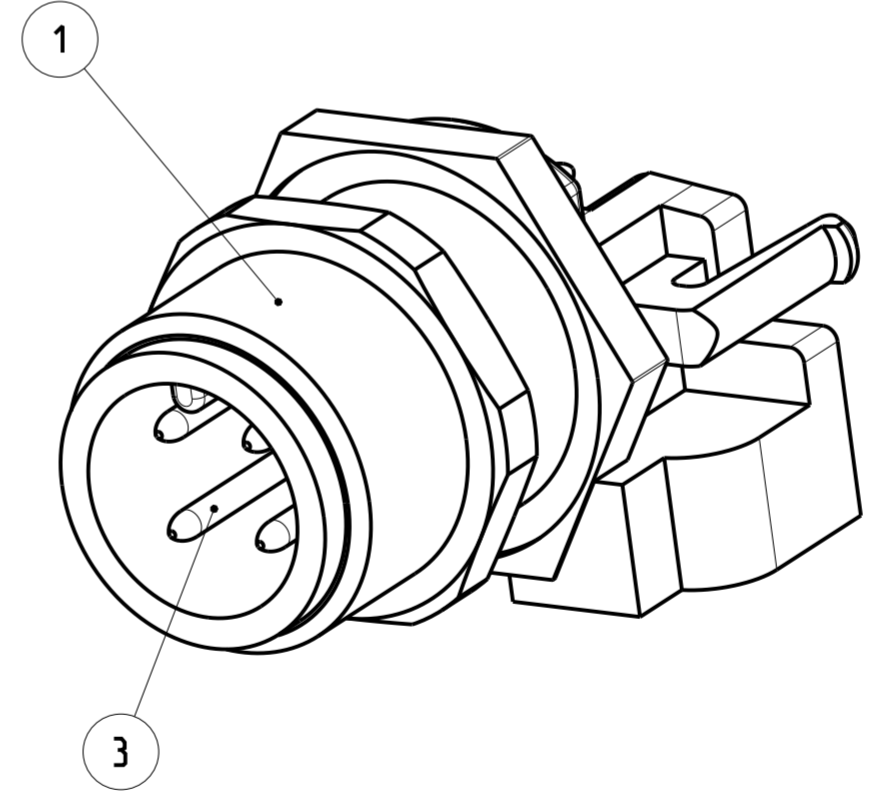


PIN ARRANGEMENT  
A-CODING (SCALE 2:1)

3-2172070-2	4-2172070-2	5-2172070-2

CONDUCTOR LAYOUT

--	--	--



SIZE ISO 14405 (E)

⚠	8	5-2172070-2
⚠	5	4-2172070-2
⚠	4	3-2172070-2
MATERIAL	NUMBER OF POLES	TE-PART-NO.

DIESE ZEICHNUNG IST EIN KONTROLLIERTES DOKUMENT. BEMASSUNGEN UND TOLERANZEN GEMAESS GPS (ISO STANDARDS).  
 THIS DRAWING IS A CONTROLLED DOCUMENT. DIMENSIONING AND TOLERANCING PER GPS (ISO STANDARDS).

DIMENSIONS: MASSE/WEITEN: IT/III	TOLERANCES UNLESS OTHERWISE SPECIFIED: ALLGEMEINTOLERANZEN	DWN YASHKUMAR 24 JUL 2014
		CHK M. BRUBAKER 24 JUL 2014
		APVD M. BRUBAKER 24 JUL 2014
		NAME M. BRUBAKER
		PRODUCT SPEC 108-19483
		APPLICATION SPEC 114-32127
MATERIAL	FINISH/OBERFLÄCHE/FARBE	WEIGHT GEWICHT
SEE NOTES	SEE NOTES	-

Customer Drawing

**STE** TE Connectivity

M12 RECEPTACLE, MALE, PCB MOUNT, STRAIGHT, A-CODED

SIZE A2	CAGE CODE 00779	DRAWING NO. ZEICHNUNGS-NR. C-2172070	RESTRICTED TO MUR FUER
SCALE MASSSTAB 4:1	SHEET BLATT 1	OF VON 1	REV A