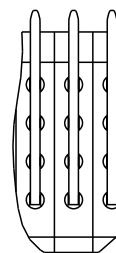
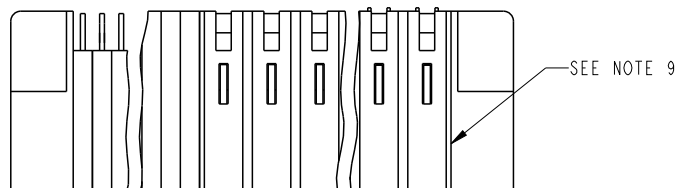
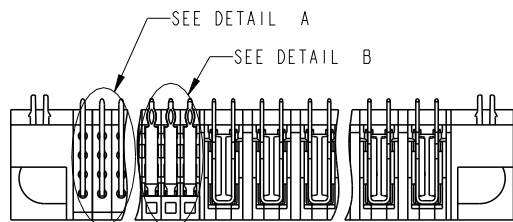


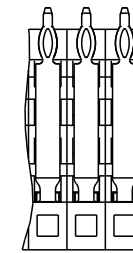
PRODUCT NUMBER

51721-A00CCDDEF--

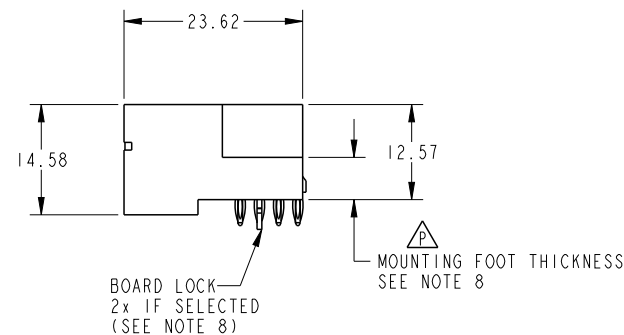
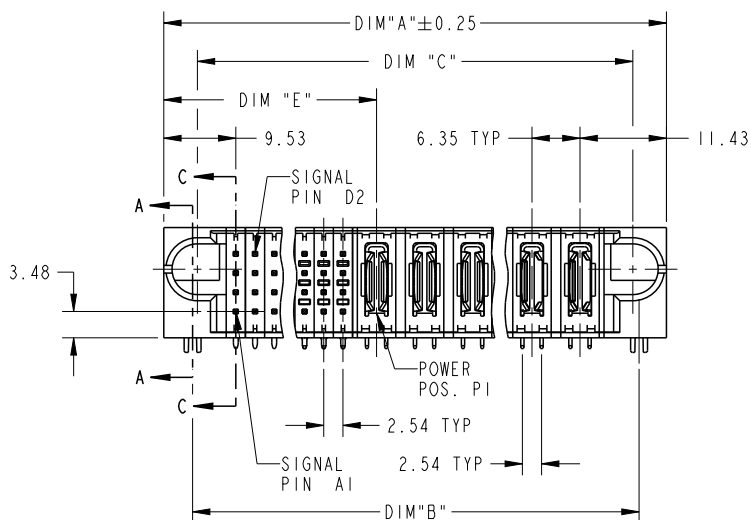
SEE NOTE 1



△ DETAIL A  
SCALE 2:1  
FOR SOLDER TO BOARD ONLY



△ DETAIL B  
SCALE 2:1  
FOR PRESS FIT ONLY



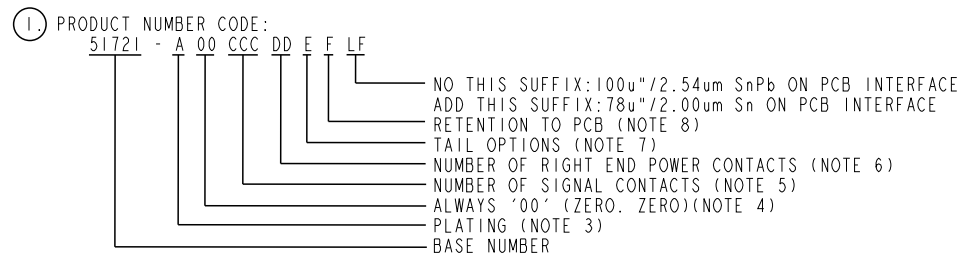
Copyright FCI.

spec ref	*	dr	Julia Wang	2006/09/20	projection 	MM ←→	size	A4	scale	1:1			
tolerance std	ASME Y14.5	eng	Ruan MT	2015/09/30			ecn no	ELX-DG-21593-1					
TOLERANCES UNLESS OTHERWISE SPECIFIED		chr	Fancy Zhang	2015/09/30			product family	PwrBlade					
surface	✓	appr	Pei-Ming Zheng	2015/09/30	rel level	Released							
ASME Y14.5	linear	0.X	±0.5		title	R/A HEADER WITH GUIDE PIN			dwg no	51721	rev	P	
		0.XX	±0.25			cat. no.	51721	Product - Customer Drw					sheet 1 of 3
		0.XXX	±0.100										
	angular	0°	±2°	www.fci.com									

PRODUCT NUMBER
51721-A00CCDDEF--
SEE NOTE 1

DIM	LENGTH FORMULAS (SEE NOTE 10)
DIM "A"	2.54 x (CCC/4) + 6.35 x DD + 16.51(NOTE 10)
DIM "B"	2.54 x (CCC/4) + 6.35 x DD + 8.89
DIM "C"	2.54 x (CCC/4) + 6.35 x DD + 7.62
DIM "E"	2.54 x (CCC/4) + 11.43
DIM "F"	2.541 x (CCC/4) + 6.35 x DD + 17.27
DIM "H"	2.54 x (CCC/4) + 6.35

CONNECTOR NOTES



- ②. HOUSING MATERIAL: GLASS FILLED V-O HIGH TEMP THERMO PLASTIC.  
 SIGNAL CONTACT MATERIAL: COPPER ALLOY  
 POWER CONTACT MATERIAL: COPPER ALLOY
- ③. PLATING OPTION:  
 1 = SEE PRINT 10064183 FOR PLATING SPEC OF 51721-100CCDDEF; 51721-100CCDDEFLF
- ④. THIS PART IS NOT AVAILABLE WITH LEFT SIDE POWER CONTACTS.
- ⑤. SIGNAL CONTACTS, 004 TO 148 AVAILABLE.
- ⑥. RIGHT END POWER CONTACTS, 01 TO 20 AVAILABLE.  
 MAXIMUM OF 20 POWER CONTACTS PER CONNECTOR.
- △ ⑦. TAIL OPTIONS:  
 A = 3.43 SOLDER TO BOARD  
 B = 4.19 SOLDER TO BOARD  
 C = 3.43 PRESS FIT  
 D = 2.34 SOLDER TO BOARD

- ⑧. RETENTION TO PCB OPTIONS:  
 A = BOARD LOCK (REQUIRES 2.49 +0.05, -0.03 THRU HOLE IN PCB).  
 MOUNTING FOOT THICKNESS 5.59  
 B = 3.81 THRU HOLE (REQUIRES 4.01±0.07 THRU HOLE IN PCB).  
 MOUNTING FOOT THICKNESS 4.06  
 MOUNTING HOLES, WHERE APPLICABLE, ARE UNPLATED.
- ⑨. MANUFACTURE'S NAME, P/N, AND DATE CODE TO APPEAR ON THIS SURFACE.
- ⑩. THE MAXIMUM OVERALL LENGTH (DIM A) OF A PART IS 203.2
- 11. PRODUCT SPECIFICATION GS-12-149  
 APPLICATION SPECIFICATION BUS-20-067
- 12. REFERENCE 51697 FOR SELECT LOAD/FMLB WORKSHEET

PCB NOTES:

- 13. ALL DIMENSIONS ARE BASIC UNLESS OTHERWISE SPECIFIED.
- 14. ALL THROUGH HOLES ARE LOCATED WITH A TRUE POSITION OF 0.10
- 15. ALL HOLE DIAMETERS ARE FINISHED HOLE SIZE.
- ⑩. ∅1.151±0.025 DRILLED HOLES PLATED WITH 0.008 MIN SnPb OR Sn OVER 0.03 TO 0.08 Cu PLATING TO ACHIEVE A 1.02±0.07 HOLE.
- 17. A △SYMBOL WILL BE NEXT TO ANY DIMENSION, VIEW, OR NOTE WHICH HAS BEEN MODIFIED WITH THE CURRENT DRAWING REVISION.
- △ ⑩. CONNECTOR KEEP OUT ZONE



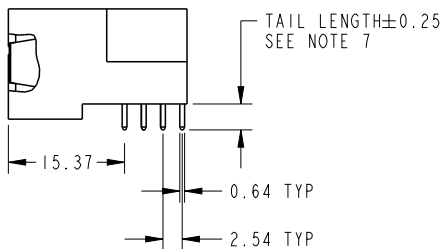
Copyright FCI.

dr	Julia Wang	2006/09/20	projection 	MM 	size	A4	scale	1:1
eng	Ruan MT	2015/09/30			ecn no	ELX-DG-21593-1		
chr	Fancy Zhang	2015/09/30			rel level	Released		
appr	Pei-Ming Zheng	2015/09/30	product family	PwrBlade				
		title	R/A HEADER WITH GUIDE PIN			dwg no	51721	
			SIGNAL / POWER				rev <b>P</b>	
www.fci.com		cat. no.	51721	Product - Customer Drw			sheet 2 of 3	

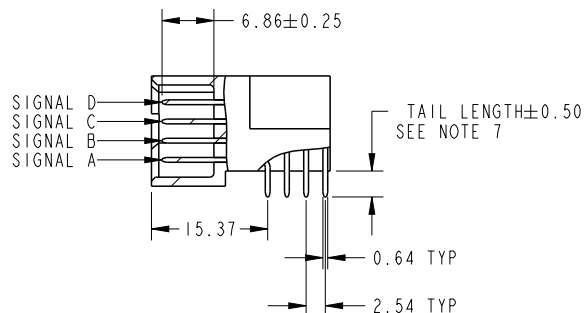
PRODUCT NUMBER

51721-A00CCDDEF\_..

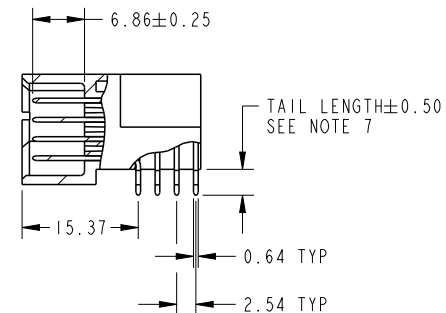
SEE NOTE 1



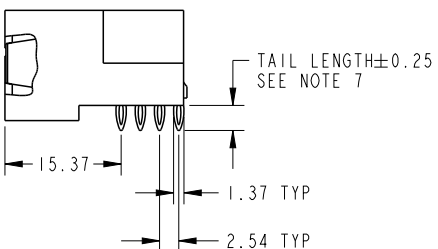
BROKEN-OUT SECTION B-B FOR SOLDER TO BOARD ONLY



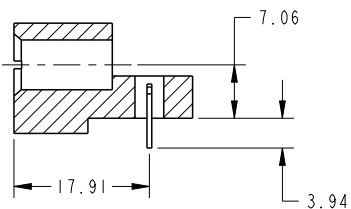
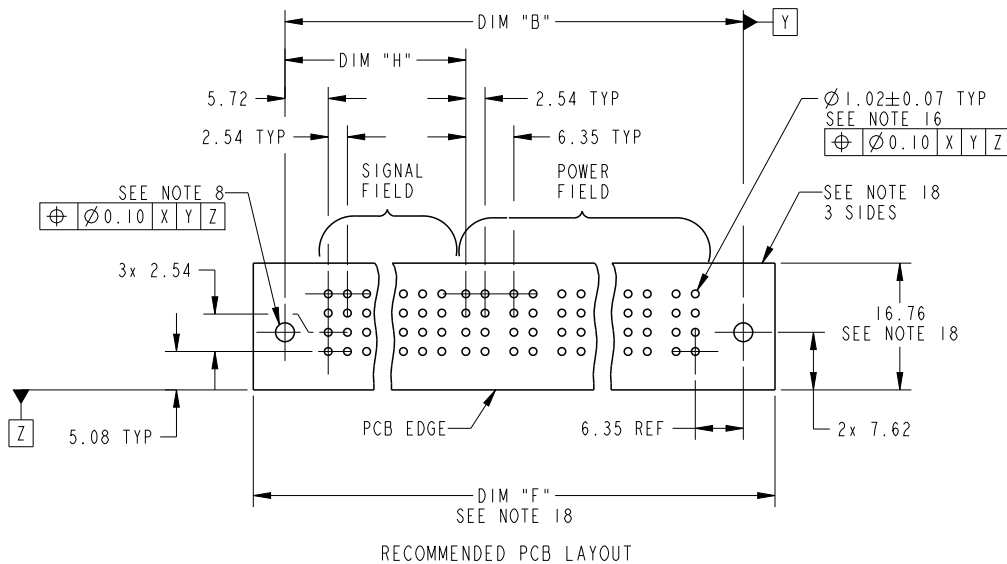
BROKEN-OUT SECTION C-C FOR SOLDER TO BOARD ONLY



BROKEN-OUT SECTION C-C FOR PRESS FIT ONLY



BROKEN-OUT SECTION B-B FOR POWER PRESS FIT ONLY



SECTION A-A

dr	Julia Wang	2006/09/20	projection 	MM ←→	size	A4	scale	1:1
eng	Ruan MT	2015/09/30			ecn no	ELX-DG-21593-1		
chr	Fancy Zhang	2015/09/30			product family	PwrBlade		
appr	Pei-Ming Zheng	2015/09/30	rel level	Released				
	title	R/A HEADER WITH GUIDE PIN			dwg no	51721		rev
		SIGNAL / POWER						<b>P</b>
www.fci.com	cat. no.	51721	Product - Customer Drw			sheet 3 of 3		



Copyright FCI.