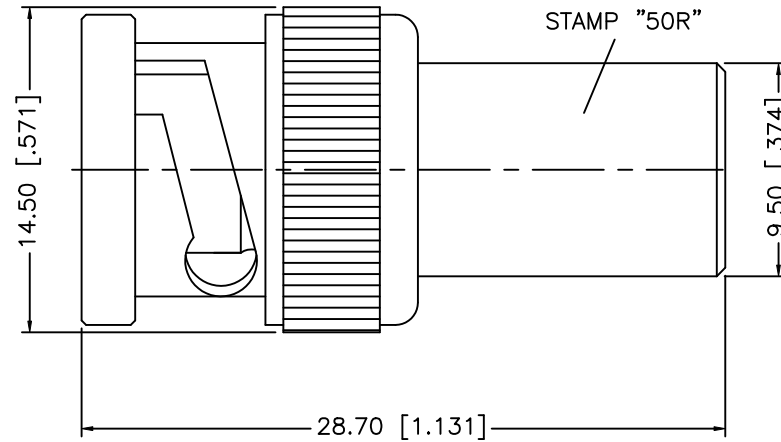


REV.	DATE	DESCRIPTION
A	08/25/99	MODIFY RESISTOR TOLERANCE VALUE (NOTE 2)
B	03/13/08	UPDATE DRAWING FORMAT



NOTES:

1. TESTING VALUE VSWR 1.2 MAX. AT 0.3 MHz~1 GHz
2. RESISTOR TOLERANCE 50ohm 1% 0.5 WATT

				UNLESS OTHERWISE SPECIFIED DIMENSIONS ARE IN MILLIMETERS. DIMENSIONS IN [] ARE IN INCHES AND FOR CUSTOMER REFERENCE ONLY.	APPROVALS	DATE	<h1>Amphenol Connex</h1>								
8					DRAWN	G.R.S.					03/13/08	<h2>BNC TERMINATOR PLUG - 50ohm</h2>			
7					CHECKED			PART NO. 202113							
6					ISSUED										
5					SHEET	1 OF 1		REV. B SIZE A SCALE NA							
4					CAD FILE C:/202/202113.DWG										
3	CONTACT PIN	BRASS	GOLD	1					DO NOT SCALE DRAWING						
2	INSULATOR	TEFLON	NATURAL	1											
1	BODY	BRASS	NICKEL	1											

UNLESS OTHERWISE SPECIFIED DIMENSIONS ARE IN MILLIMETERS. DIMENSIONS IN [] ARE IN INCHES AND FOR CUSTOMER REFERENCE ONLY.

UNLESS OTHERWISE SPECIFIED TOLERANCES FOR MILLIMETERS ARE:
0.5 - 8mm ± 0.20mm
8 - 30mm ± 0.40mm
30 - 120mm ± 0.50mm

UNLESS OTHERWISE SPECIFIED TOLERANCES FOR INCHES ARE:
.020 - .315 = ± 0.007"
.315 - 1.180 = ± 0.015"
1.180 - 4.724 = ± 0.020"

APPROVALS	DATE
DRAWN G.R.S.	03/13/08
CHECKED	
ISSUED	
SHEET 1 OF 1	
CAD FILE C:/202/202113.DWG	

PART DESCRIPTION			
BNC TERMINATOR PLUG - 50ohm			
-			
PART NO.			
202113			
DWG. NO.	REV.	SIZE	SCALE
202113.DWG	B	A	NA