

10 9 8 7 6 5 4 3 2 1

F

E

D

C

B

A

F

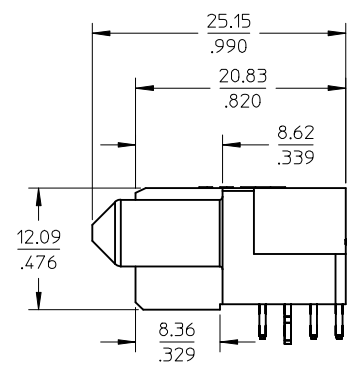
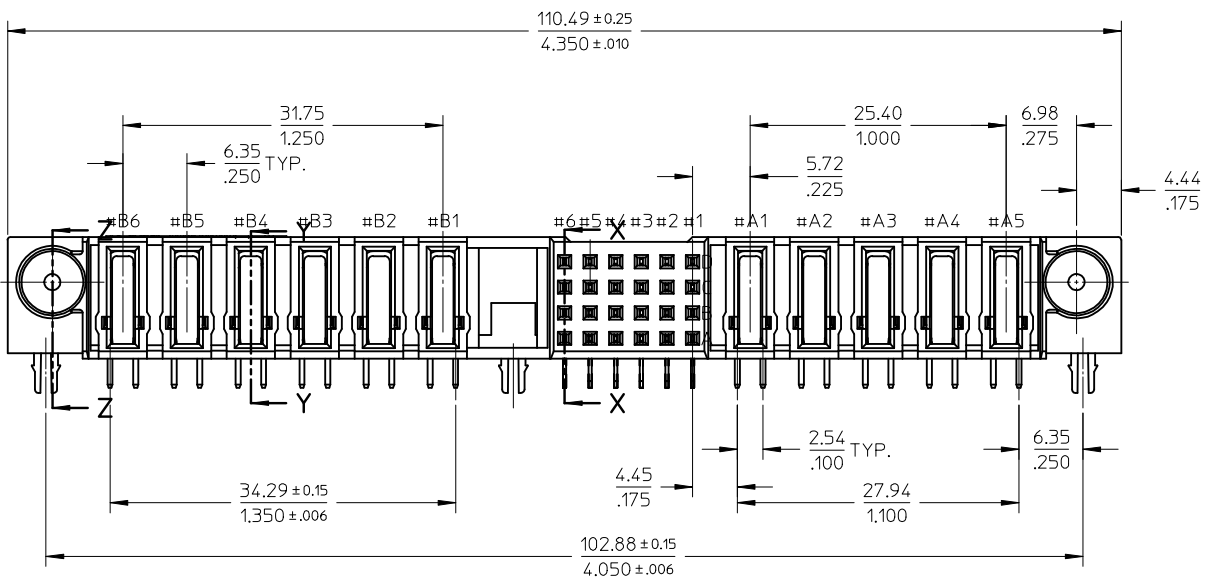
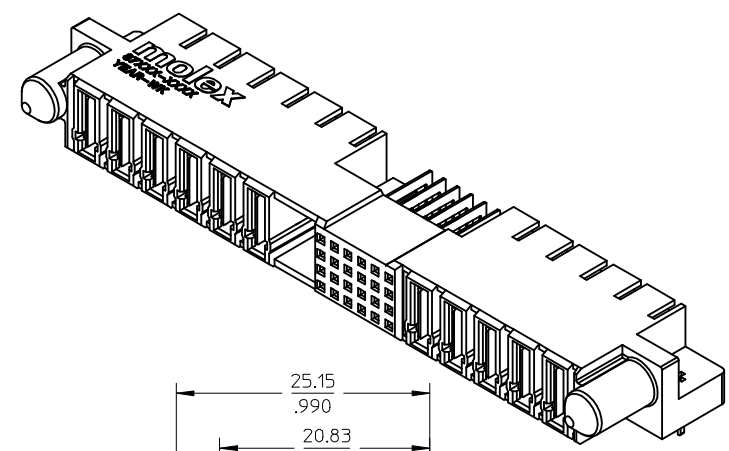
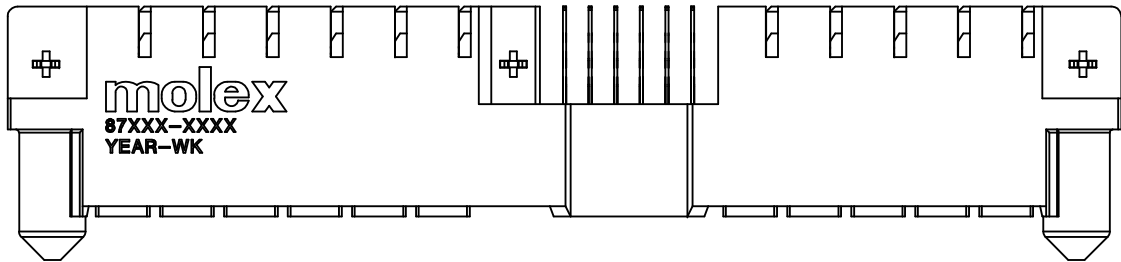
E

D

C

B

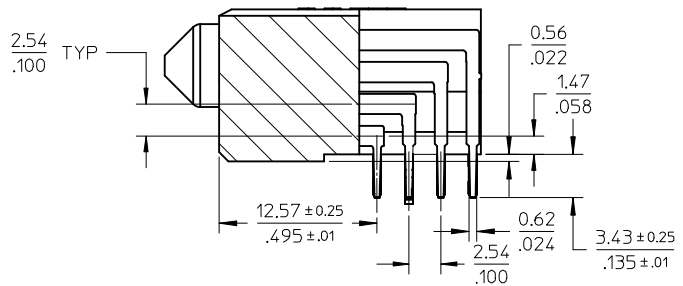
A



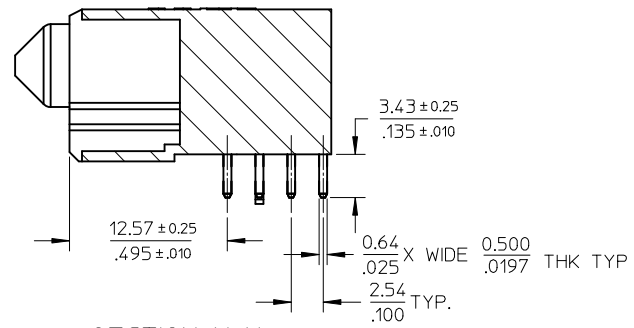
CORRECT PCB HOLE SIZE EC NO: S2009-0475 DRWN:SKANG 2009/01/16 CHKD:ATSEE 2009/01/20 APPR:MLONG 2009/02/05	DESCRIPTION D1	QUALITY SYMBOLS	GENERAL TOLERANCES (UNLESS SPECIFIED)	DIMENSION STYLE	SCALE	DESIGN UNITS	THIRD ANGLE PROJECTION	
		▼=0 ◻=0	mm INCH 4 PLACES ± --- ± --- 3 PLACES ± --- ± .005 2 PLACES ± 0.13 ± .010 1 PLACE ± 0.25 ± --- ANGULAR ± 3 °	MM/IN	NTS	METRIC		
		DRAFT WHERE APPLICABLE MUST REMAIN WITHIN DIMENSIONS	DRAWN BY: KMG0H CHECKED BY: PTL IM APPROVED BY: SKT0H MATERIAL NO.	DATE: 2002/08/01 DATE: 2002/11/21 DATE: 2002/11/21	TITLE	MPS POWER RECEPTACLE 6POWER-24SIGNAL-5POWER R/A, T/H		
		SEE TABLE	MOLEX INCORPORATED DOCUMENT NO. SD-87616-011 SHEET NO. 1 OF 3					

9 8 7 6 5 4 3 2 1

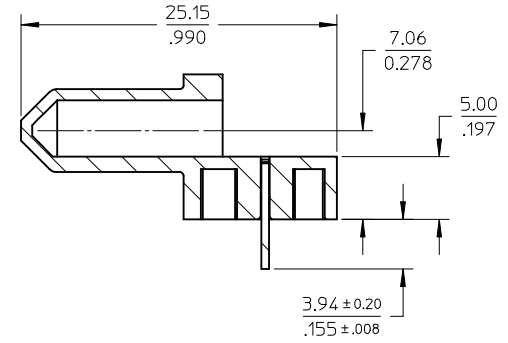
10 9 8 7 6 5 4 3 2 1



SECTION X-X



SECTION Y-Y



SECTION Z-Z

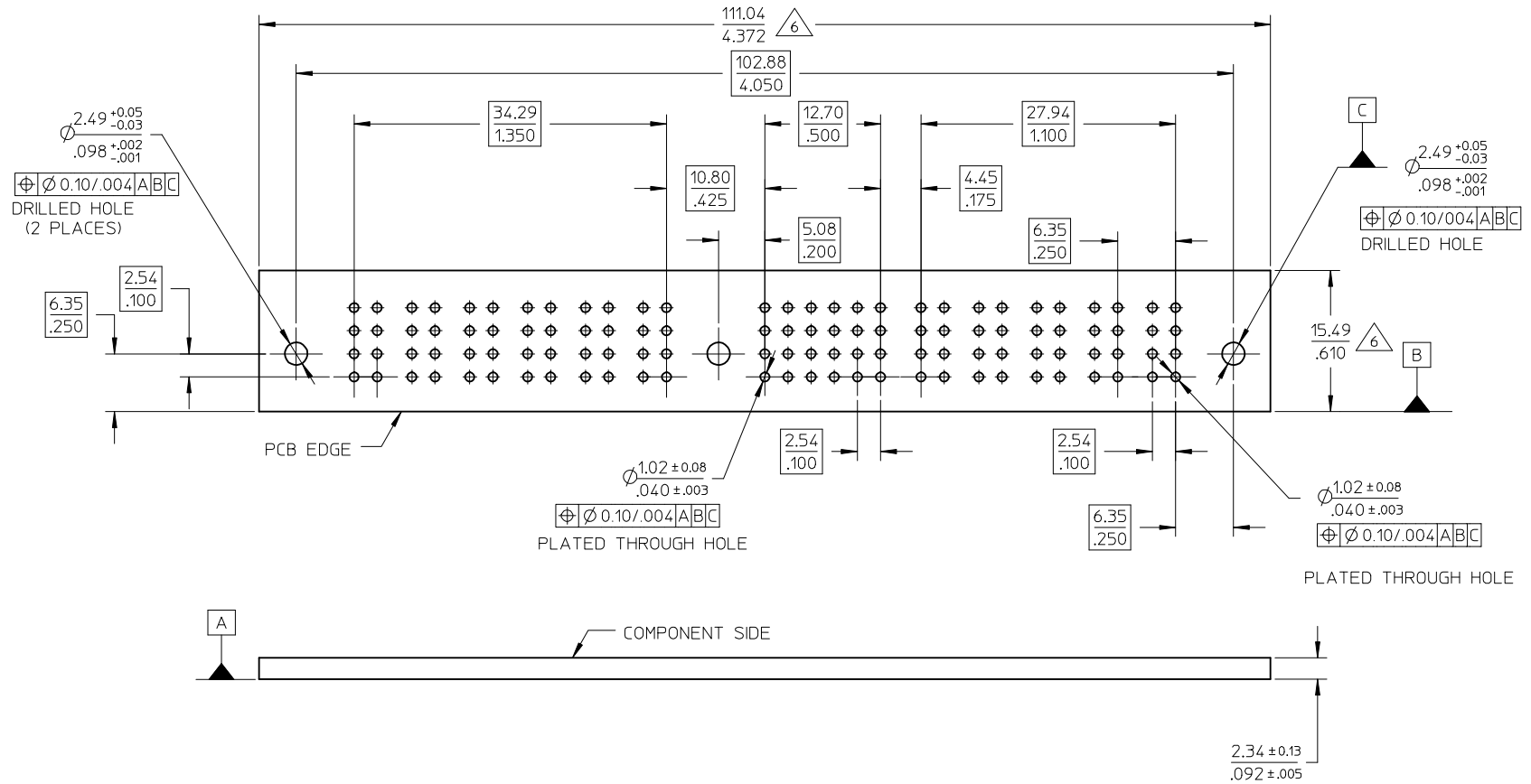
CONNECTOR - NOTES

1. MATERIALS
 - HOUSING - LCP, GLASS FILLED,
UL 94V-0, COLOR: BLACK
 - POWER PIN - COPPER ALLOY
 - SIGNAL PIN - COPPER ALLOY
 - BOARD LOCK - COPPER ALLOY
 2. PLATING
 - POWER AND SIGNAL PINS - 0.76 MICROMETER MINIMUM GOLD (Au) AT CONTACT AREA AND 2.54 MICROMETER MINIMUM TIN AT SOLDER TAIL AREA OVER
 - 1.27 MICROMETER MINIMUM NICKEL (Ni) UNDERPLATE.
 3. PRODUCT SPECIFICATION : PS-87615-005.
 4. SEE SHEET 3 FOR RECOMMENDED PCB LAYOUT AND THICKNESS
 5. MATES WITH MOLEX PART NUMBER : 87615-0001
- ⚠ COMPONENT STAY AWAY ZONE FROM CONNECTOR

CORRECT PCB HOLE SIZE	EC NO: S2009-0475	2009/01/16	QUALITY SYMBOLS	GENERAL TOLERANCES (UNLESS SPECIFIED)		DIMENSION STYLE		SCALE	DESIGN UNITS	THIRD ANGLE PROJECTION
	DRWN:SKANG	2009/01/20		mm	INCH	MM/IN	NTS	METRIC		
	CHKD:ATSEE	2009/02/05		4 PLACES	± ---	± ---	DRAWN BY	DATE	TITLE	
	APPR:MLONG			3 PLACES	± ---	± .005	KMGOH	2002/08/01	MPS POWER RECEPTACLE 6POWER-24SIGNAL-5POWER R/A, T/H	
			2 PLACES	± 0.13	± .010	CHECKED BY	DATE			
			1 PLACE	± 0.25	± ---	PTLIM	2002/11/21			
			ANGULAR ± 3 °			APPROVED BY	DATE			
			DRAFT WHERE APPLICABLE MUST REMAIN WITHIN DIMENSIONS			SKTOH	2002/11/21			
						MATERIAL NO.				
						SEE TABLE				
						THIS DRAWING CONTAINS INFORMATION THAT IS PROPRIETARY TO MOLEX INCORPORATED AND SHOULD NOT BE USED WITHOUT WRITTEN PERMISSION				
						SD-87616-011				
						2 OF 3				

9 8 7 6 5 4 3 2 1

10	9	8	7	6	5	4	3	2	1
PART NUMBER	PART STATUS	PACKAGING							
87616-1001	TOOLED	TRAY							



CORRECT PCB HOLE SIZE EC NO: S2009-0475 DRWN:SKANG 2009/01/16 CHKD:ATSEE 2009/01/20 APPR:MLONG 2009/02/05	QUALITY SYMBOLS ▽=0 ◻=0	GENERAL TOLERANCES (UNLESS SPECIFIED) mm INCH 4 PLACES ± --- ± --- 3 PLACES ± --- ± .005 2 PLACES ± 0.13 ± .010 1 PLACE ± 0.25 ± --- ANGULAR ± 3 °	DIMENSION STYLE MM/IN DRAWN BY DATE KMG0H 2002/08/01 CHECKED BY DATE PTL IM 2002/11/21 APPROVED BY DATE SKT0H 2002/11/21	SCALE NTS DESIGN UNITS METRIC THIRD ANGLE PROJECTION	TITLE MPS POWER RECEPTACLE 6POWER-24SIGNAL-5POWER R/A, T/H MOLEX MOLEX INCORPORATED DOCUMENT NO. SD-87616-011
	DRAFT WHERE APPLICABLE MUST REMAIN WITHIN DIMENSIONS	SIZE A3 THIS DRAWING CONTAINS INFORMATION THAT IS PROPRIETARY TO MOLEX INCORPORATED AND SHOULD NOT BE USED WITHOUT WRITTEN PERMISSION	SHEET NO. 3 OF 3		
	REV D1	DESCRIPTION	MATERIAL NO.		