

10 9 8 7 6 5 4 3 2 1

F

E

D

C

B

A

F

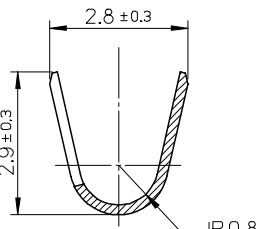
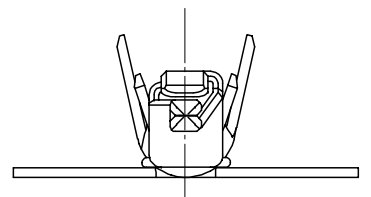
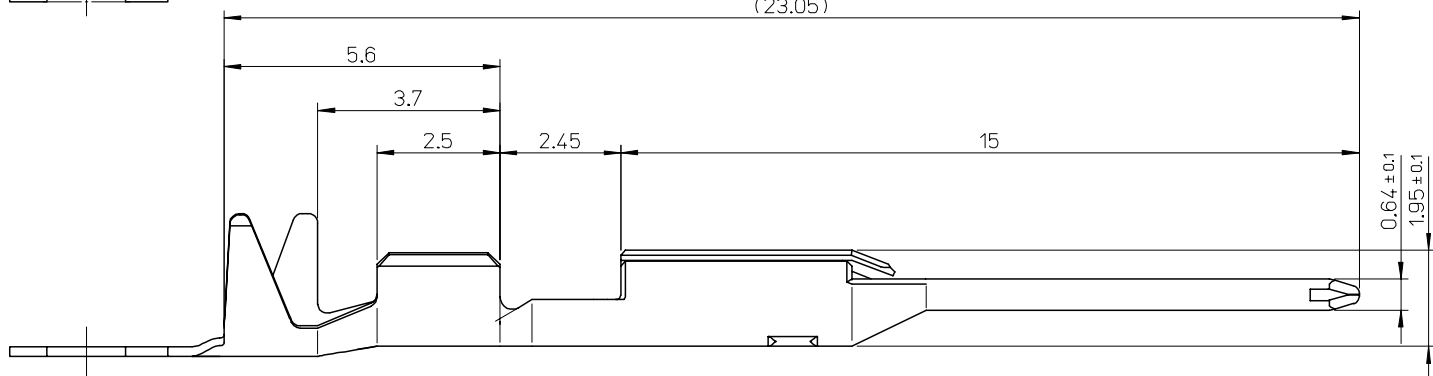
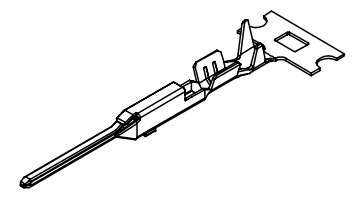
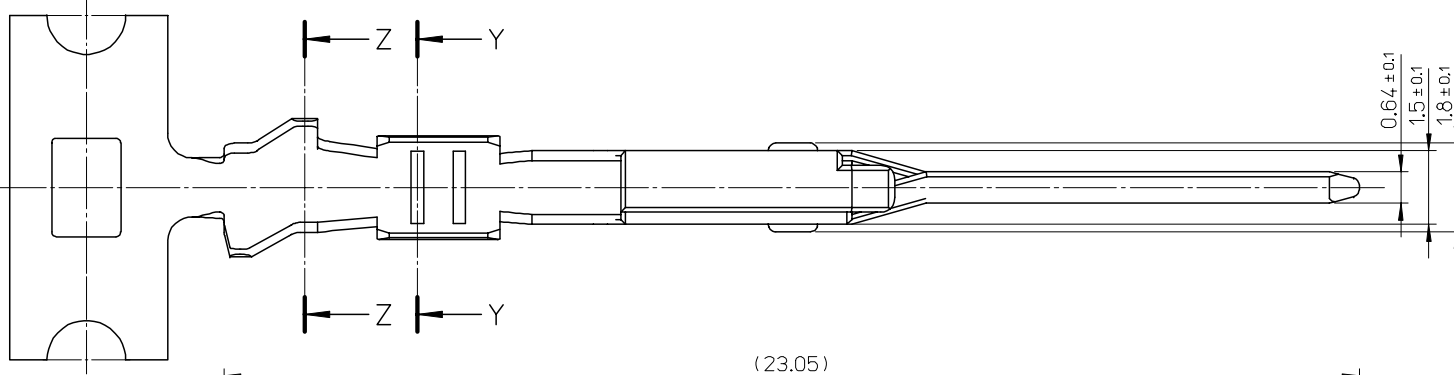
E

D

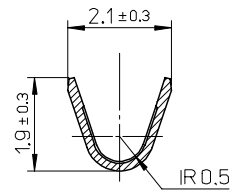
C

B

A



SECTION Z-Z



SECTION Y-Y

注記

- NOTES
1. 材料：黄銅、錫めっき材 (t=0.2)  
MATERIAL : PRE-TIN BRASS (t=0.2)
  2. 適合ハウジング：501820-3209  
APPLICABLE HOUSING : 501820-3209

RELEASED EC NO: J2006-2342 DRW:HKOMATSU 2006/01/25 CHKD:TAITO 2006/01/25 APPR:AKANESHIGE 2006/01/27	GENERAL TOLERANCES (UNLESS SPECIFIED)		DIMENSION STYLE MM ONLY		SCALE 10:1		DESIGN UNITS METRIC		THIRD ANGLE PROJECTION	
	10 UNDER	±0.2	DRAWN BY HKOMATSU		DATE 2005/9/8		TITLE CMC W/W CONN. MALE TERMINAL 0.64 -LEAD FREE-			
	10 OVER 30 UNDER	±0.25	CHECKED BY TAITO		DATE 2005/9/9		APPROVED BY AKANESHIGE			
	30 OVER	±0.3	APPROVED BY AKANESHIGE		DATE 2005/9/9		MATERIAL NO. SD-501827-001			
0	DESCRIPTION	ANGULAR ±1 °		DRAFT WHERE APPLICABLE MUST REMAIN WITHIN DIMENSIONS		SEE CHART		DOCUMENT NO. SD-501827-001		SHEET NO. 1 OF 1
THIS DRAWING CONTAINS INFORMATION THAT IS PROPRIETARY TO MOLEX INCORPORATED AND SHOULD NOT BE USED WITHOUT WRITTEN PERMISSION										