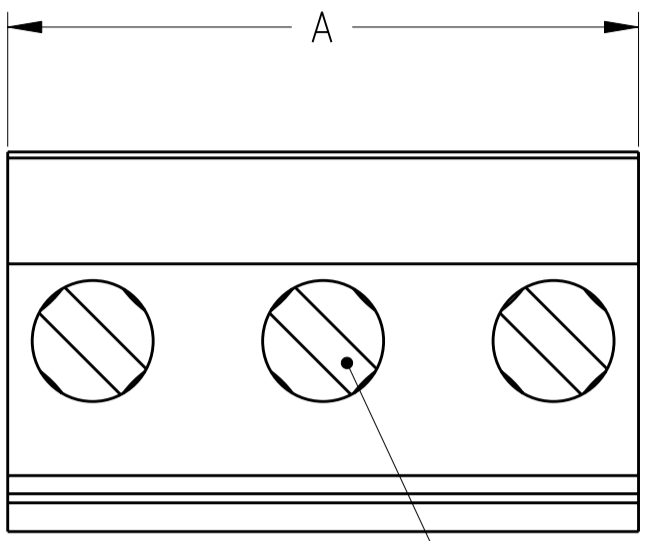


THIS DRAWING IS UNPUBLISHED. RELEASED FOR PUBLICATION 20
 © COPYRIGHT 20 BY TYCO ELECTRONICS CORPORATION. ALL RIGHTS RESERVED.

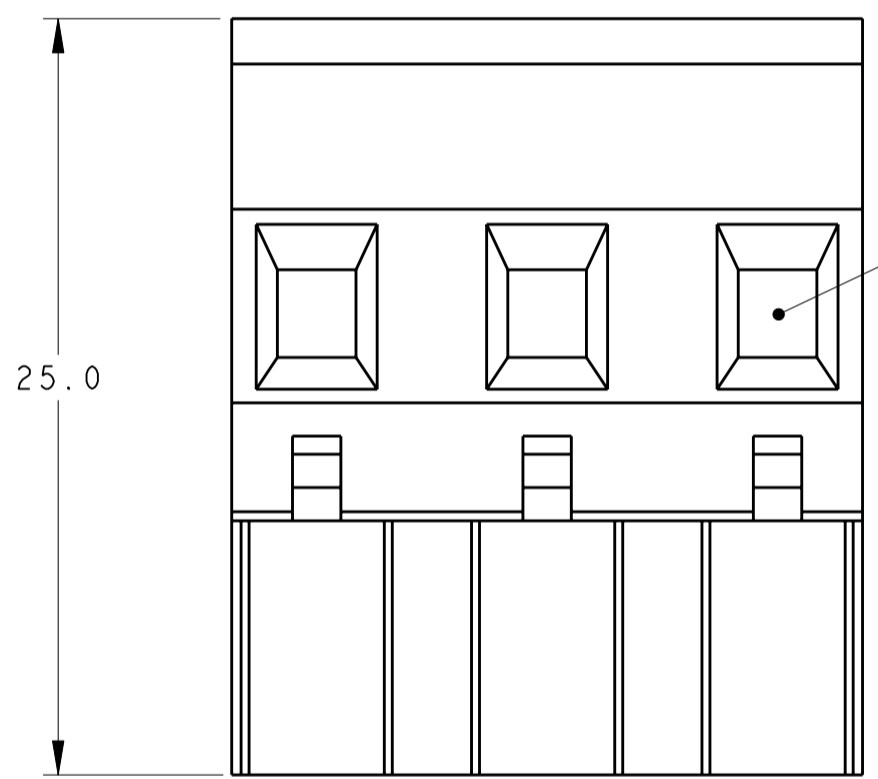
LOC		DIST		REVISIONS			
P	LTR	DESCRIPTION	DATE	DWN	APVD		
	C	REVISED PER ECO-08-028953	21NOV2008	HMR	CR		



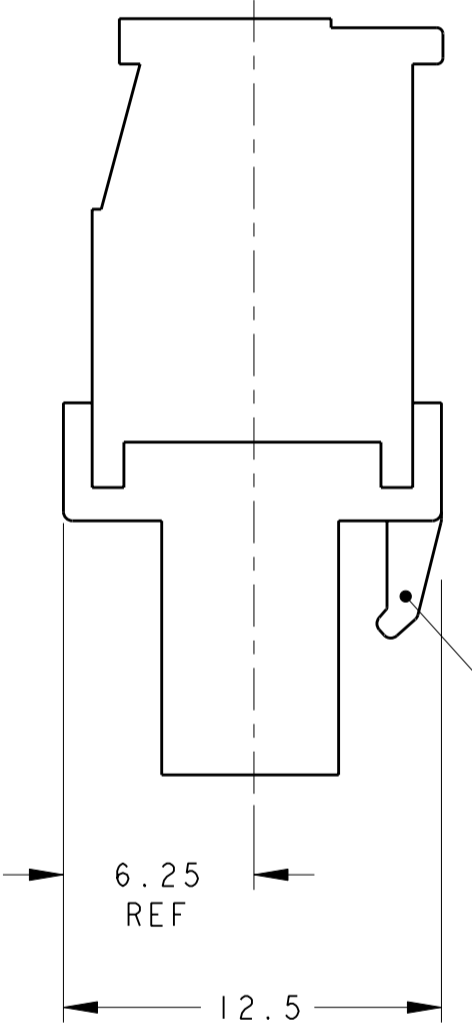
1. MATERIALS AND FINISH
 HOUSING: PA 6-6, UL 94-V0, COLOR: BLACK.
 CLAMP: BRASS, NICKEL PLATED.
 CONTACT SPRING: PHOSPHOR BRONZE, TIN PLATED.
 CLAMPING SCREW: M3, BRASS, NICKEL PLATED.

- 2. WIRE SIZE RANGE: 12-30 AWG.
- 3. INK MARKING: WHITE COLOR.

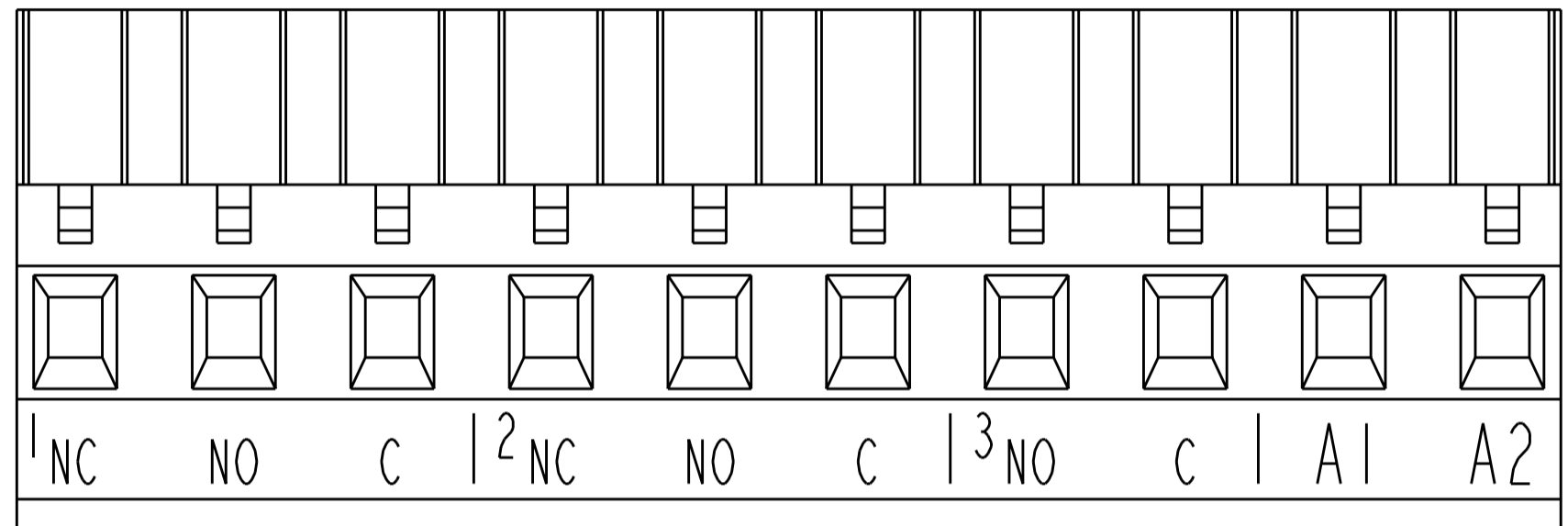
CLAMPING SCREW



WIRE ENTRY

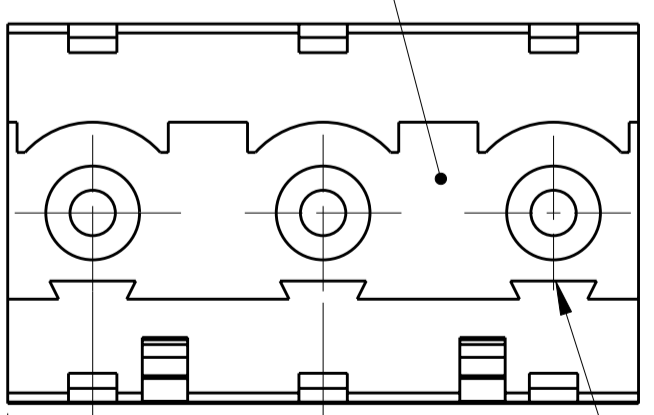


RETENTION LATCH



SEE DETAIL W
 SCALE 3:1

MATING FACE



POLARIZATION KEY SLOT

2.81 REF TYP

7.62±0.08 TYP

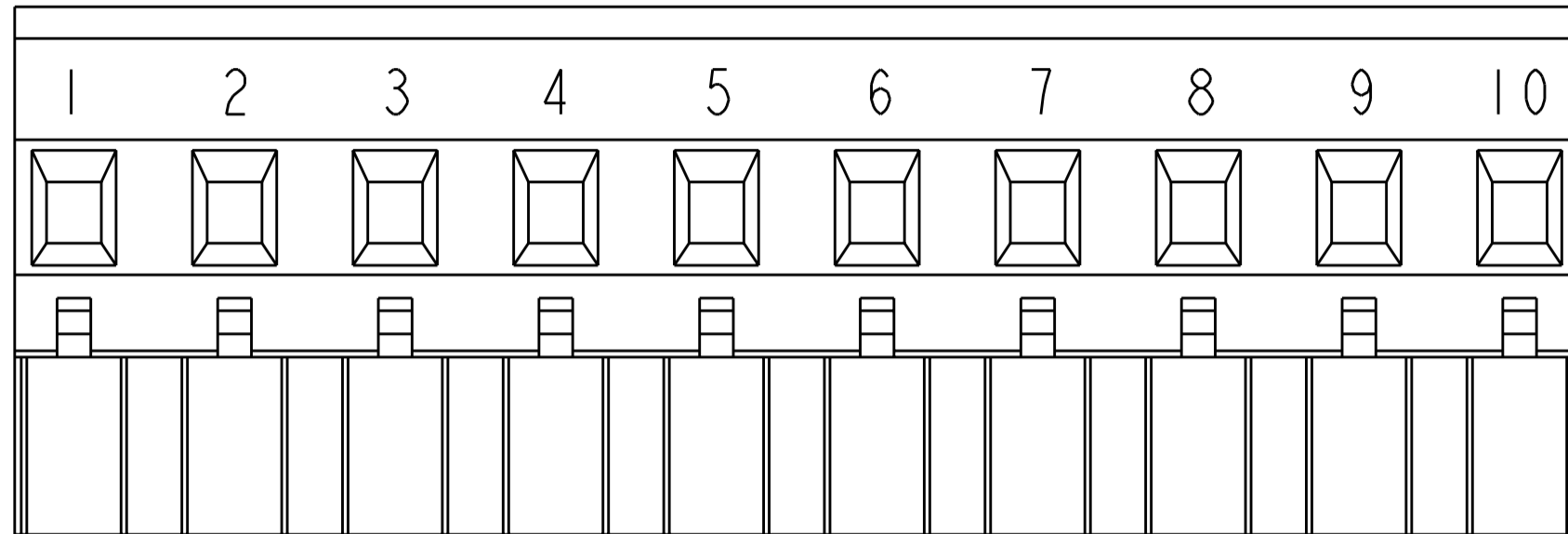
SEE DETAIL Y	89.44	12	1-1546935-5
SEE DETAIL X	74.20	10	1-1546935-4
SEE DETAIL W	74.20	10	1-1546935-3
-	89.44	12	1-1546935-2
-	81.82	11	1-1546935-1
-	74.20	10	1-1546935-0
-	66.58	9	1546935-9
-	58.96	8	1546935-8
-	51.34	7	1546935-7
-	43.72	6	1546935-6
-	36.10	5	1546935-5
-	28.48	4	1546935-4
-	20.86	3	1546935-3
-	13.24	2	1546935-2
MARKING	A	NO OF POSN	PART NUMBER

THIS DRAWING IS A CONTROLLED DOCUMENT FOR TYCO ELECTRONICS CORPORATION. IT IS SUBJECT TO CHANGE AND THE CONTROLLING ENGINEERING ORGANIZATION SHOULD BE CONTACTED FOR THE LATEST REVISION.

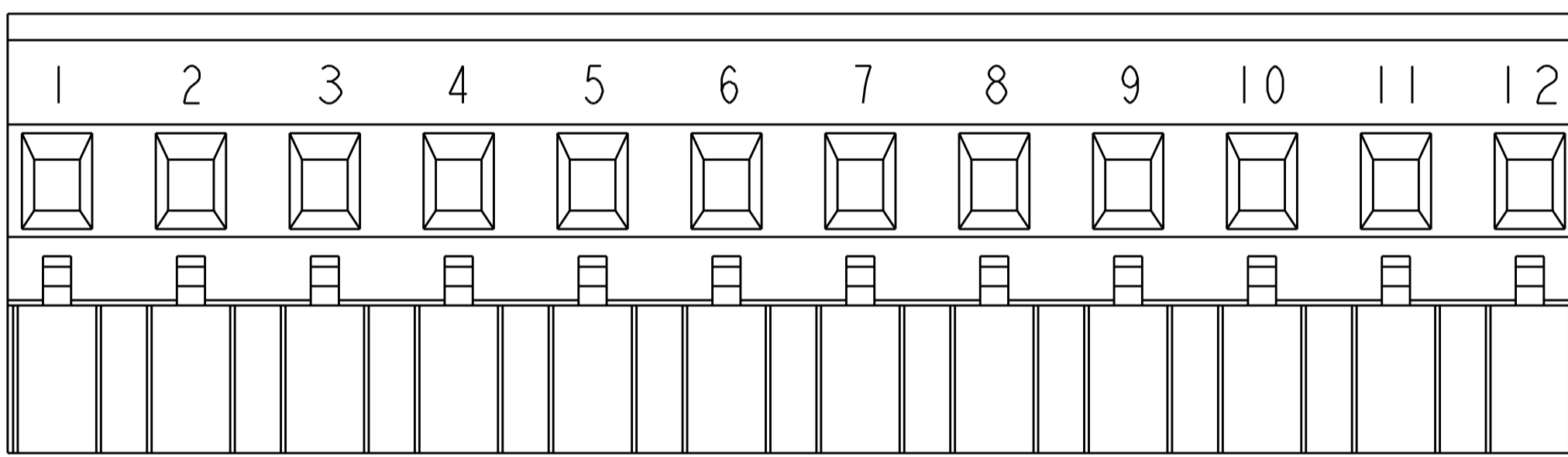
DIMENSIONS:	TOLERANCES UNLESS OTHERWISE SPECIFIED:	DWN	09 JUL 2004	Tyco Electronics Harrisburg, PA 17105-3608	
mm	0 PLC ±.3 1 PLC ±.25 2 PLC ±.25 3 PLC ±. 4 PLC ±. ANGLES ±2 FINISH	CHK	12 JUL 2004	NAME	
		APVD	12 JUL 2004	C. RICHARD	
MATERIAL		PRODUCT SPEC		TERMINAL BLOCK VERTICAL PLUG STACKING LEFT HAND 7.62mm PITCH	
		APPLICATION SPEC		SIZE	RESTRICTED TO
		WEIGHT		A200779	
		CUSTOMER DRAWING		CAGE CODE	DRAWING NO
				1546935	
				SCALE	SHEET
				4:1	1 OF 2
					REV C

THIS DRAWING IS UNPUBLISHED. RELEASED FOR PUBLICATION 20
 © COPYRIGHT 20 BY TYCO ELECTRONICS CORPORATION. ALL RIGHTS RESERVED.

LOC	DIST	REVISIONS			
P	LTR	DESCRIPTION	DATE	DWN	APVD
FT	0	-	SEE SHEET 1	-	-



DETAIL X
SCALE 3:1



DETAIL Y
SCALE 3:1

<small>THIS DRAWING IS A CONTROLLED DOCUMENT FOR TYCO ELECTRONICS CORPORATION IT IS SUBJECT TO CHANGE AND THE CONTROLLING ENGINEERING ORGANIZATION SHOULD BE CONTACTED FOR THE LATEST REVISION.</small>		DWN 09 JUL 2004 S. WELDON CHK 12 JUL 2004 C. RICHARD APVD 12 JUL 2004 C. RICHARD	Tyco Electronics Harrisburg, PA 17105-3608
DIMENSIONS: mm	TOLERANCES UNLESS OTHERWISE SPECIFIED: 0 PLC ±.3 1 PLC ±.3 2 PLC ±.25 3 PLC ±. 4 PLC ±. ANGLES ±2 FINISH	PRODUCT SPEC APPLICATION SPEC WEIGHT	NAME TERMINAL BLOCK VERTICAL PLUG STACKING LEFT HAND 7.62mm PITCH
MATERIAL -	MATERIAL -	WEIGHT -	SIZE CAGE CODE DRAWING NO RESTRICTED TO A200779C-1546935 -
CUSTOMER DRAWING		SCALE 4:1	SHEET 2 OF 2 REV B