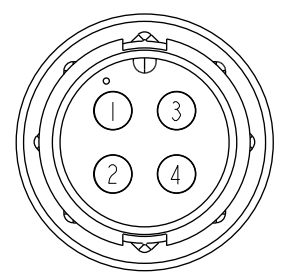
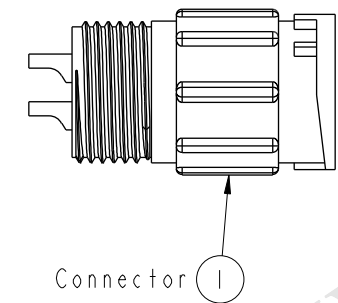
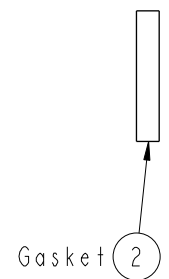
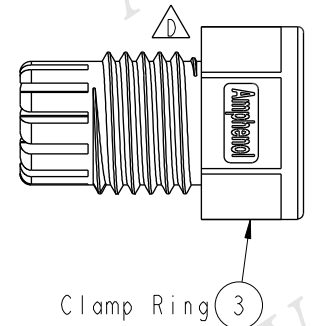
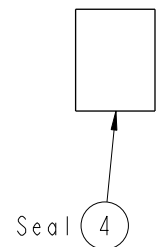
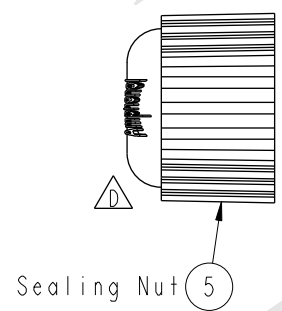
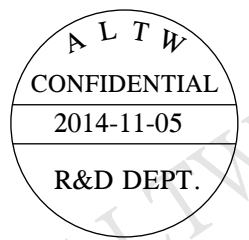
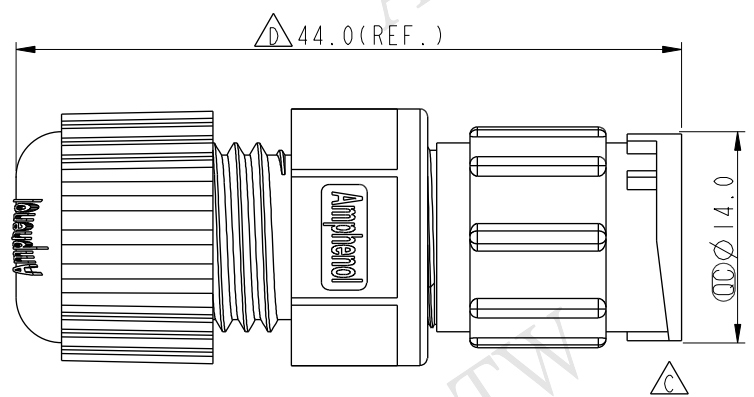


THIS DOCUMENT IS SUBJECT TO CHANGE WITHOUT NOTICE. IT IS CONFIDENTIAL AND A PROPERTY OF Amphenol LTW. DISCLOSURE TO THIRD PARTY HAS TO BE AUTHORIZED BY Amphenol LTW.

REV.	ECN NO.	DATE	SIGN	DESCRIPTION
B	ECN-0512037	2005/12/13	Tina	Change BOM serial number.
C	LE3-0B0059	2010/11/03	Zhang Xing	Change View.
D	LEN14B0107	2014/11/05	Vicky	Update Logo & Dimension



Pin Assignments
Front View



- Note:**
- * \varnothing Important Dimension.
 - * Waterproof Rate: IP67
 - * Housing: Nylon+GF, Black
 - * Male Pin: Copper Alloy, Gold Plated
 - * Gasket: EPDM, Black
 - * Clamp Ring: Nylon, Black
 - * Seal: EPDM, Black
 - * Sealing Nut: Nylon, Black
 - * Seal For Cable OD: $\varnothing 4.5\text{mm} \sim \varnothing 6.5\text{mm}$
(防水墊圈線徑: $\varnothing 4.5\text{mm} \sim \varnothing 6.5\text{mm}$)
 - * One Set Unassembled In One PE Bag
(每一組未組裝, 放置於一個PE袋, 並封口)

UNIT:mm		
TOLERANCE		
.X	± 0.25	
.XX	± 0.1	
.XXX	± 0.05	
ANGLES	$\pm 1^\circ$	

TITLE 4Pin Male Connector Male Pin for Field Installation, Lock Type			
SCALE 3:2	SIZE A4	SHEET 1 OF 1	
REV. D	WC-REV. A.3	\varnothing : Inspection item	

Amphenol LTW
安費諾亮泰企業股份有限公司

ITEM NO BB-04BMMA-LL7001	DRAWN BY Vicky	DATE 2014-11-05
DWG NO BB-04BMMA-LL7001	CHECKED BY Sam	DATE 2014-11-05
CUSTOMER ALTW	APPROVED BY Rita	DATE 2014-11-05