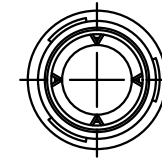
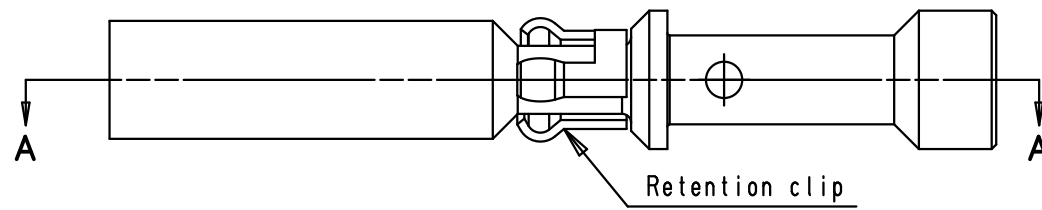
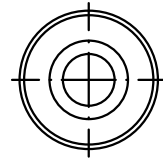
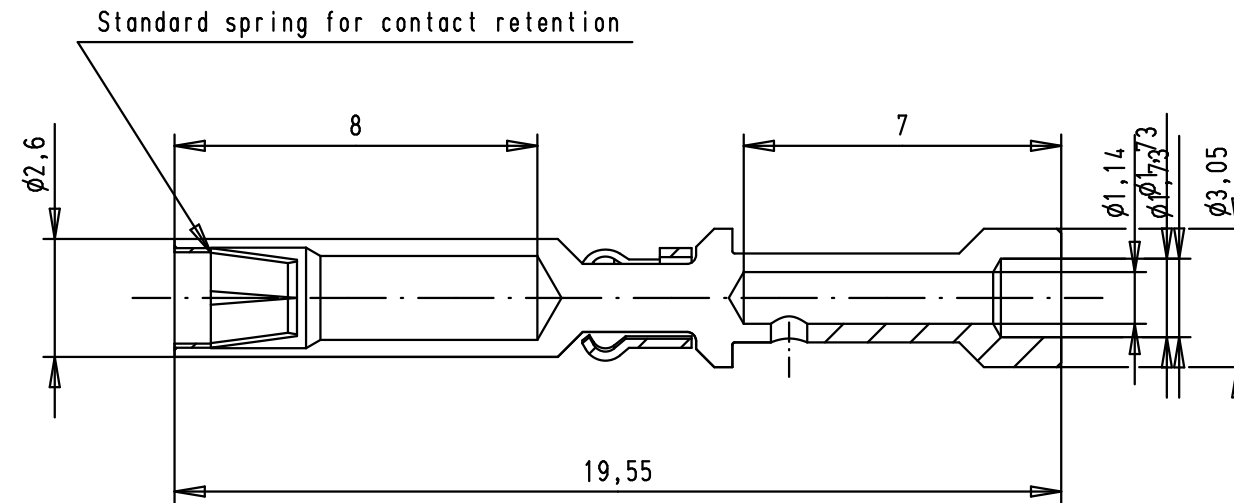


Alle Rechte vorbehalten/ All rights reserved



SECTION A-A:



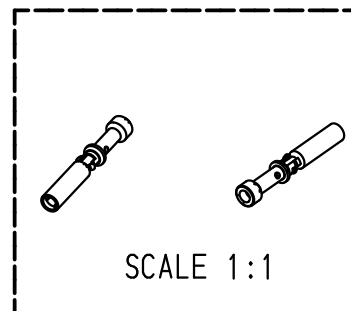
STRIPPING LENGTH: 6mm

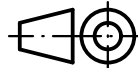

MATERIAL:

- contact: brass
- standard spring: CuBe
- retention clip: stainless steel

PLATING:

- contact Ni/Sn
- standard spring: Ni/Au
- retention clip: raw material



				Det.	Name	 All Dim. in mm Orig. Size DIN A 3	FEMALE POWER CONTACT CRIMP AWG 20-18	Maßstab/ Scale 6:1
			Detail.	22/08/08	AB			
			Insp.	10/05/11	JMV			
36242	10/05/11	AB	Stand.					
EC01270	28/01/10	AB						
35287	22/08/08	AB						
Mod.	Det.	Name	HARTING EURL F-95972 Paris				TB 09 46 500 0404	Blatt/ Page 1 / 1