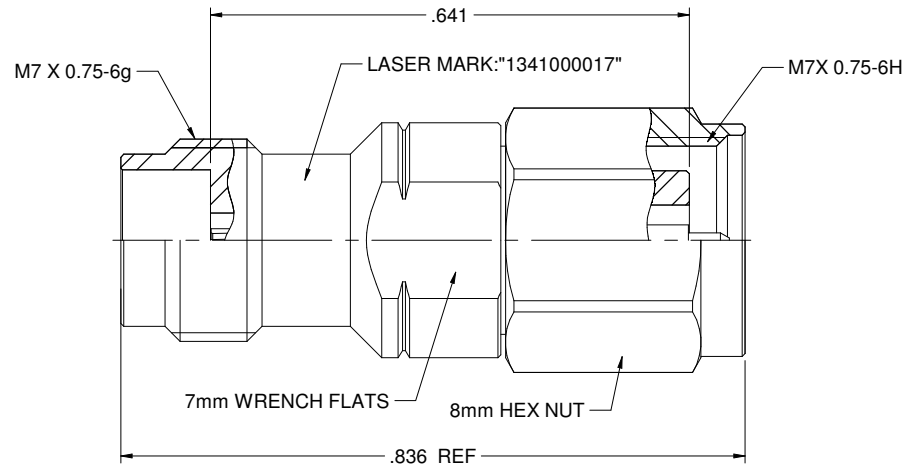


MODEL NO.	PACKAGING
134-1000-017	ONE PCS PER BAG

REV	ECO	DATE
001	ECO-17-0023	12/18/2017



NOTES: UNLESS OTHERWISE SPECIFIED

1. MATERIAL & FINISH:

- 1.1 BODY & SHELL: PASSIVATED STAINLESS STEEL
- 1.2 CONTACT PIN : GOLD PLATED BERYLLIUM COPPER
- 1.3 INSULATOR: ULTEM 1000 AMBER
- 1.4 GASKET: SILICONE RED
- 1.5 C RING: BERYLLIUM COPPER

2. ELECTRICAL:

- 2.1 IMPEDANCE: 50 OHMS
- 2.2 FREQUENCY RANGE: 0-50 GHz
- 2.3 DIELECTRIC WITHSTANDING VOLTAGE: 500 VRMS MIN
- 2.4 VOLTAGE STANDING WAVE RATIO: DC- 26.5GHZ: 1.06 MAX
26.5- 40 GHZ: 1.10 MAX
40 - 50 GHZ: 1.15 MAX
- 2.5 CONTACT RESISTANCE: CENTER CONTACT: 4 MILLIOHMS MAX
OUTER CONTACT: 2.5 MILLIOHMS MAX
- 2.6 INSULATION RESISTANCE: 5000 MOHM MIN

3. MECHANICAL:

- 3.1 ENGAGEMENT/ DISENGAGEMENT FORCE: 0.23 NM MAX
- 3.2 COUPLING PROOF TORQUE: 1.65NM MIN (2.4MM)
- 3.3 COUPLING NUT RETENTION FORCE: 267 N MIN (2.4MM)
- 3.4 CONTACT RETENTION: 20 N MIN
- 3.5 DURABILITY: 500 CYCLES MIN

4. ENVIRONMENT:

- 4.1 THERMAL SHOCK: MIL-STD-202, METHOD 107, CONDITION B.
- 4.2 OPERATING TEMPERATURE: -55 TO 125 °C
- 4.3 SALT SPRAY: MIL-STD-202, METHOD 101, CONDITION B
- 4.4 SHOCK: MIL-STD-202, METHOD 213, CONDITION I
- 4.5 VIBRATION: MIL-STD-202, METHOD 204, CONDITION D
- 4.6 MOISTURE RESISTANCE: MIL-STD-202, METHOD 106

	Model No. 134-1000-017	Johnson	
		Title: ADAPTER ASSEMBLY, 1.85mm JACK TO 2.4mm PLUG	
<small>THIS DRAWING IS THE PROPERTY OF CINCH CONNECTORS. IT IS TO BE USED FOR THE MANUFACTURE OF THE PRODUCT SPECIFIED HEREIN ONLY. IT IS NOT TO BE REPRODUCED OR TRANSMITTED IN ANY FORM OR BY ANY MEANS, ELECTRONIC OR MECHANICAL, INCLUDING PHOTOCOPYING, RECORDING, OR BY ANY INFORMATION STORAGE AND RETRIEVAL SYSTEM. WITHOUT PERMISSION IN WRITING FROM CINCH CONNECTORS.</small>	<small>XXXX - 02</small> <small>XXXXX - 01</small> <small>ANGLES - 45°</small>	<small>DATE</small> 12/12/2017	<small>SIZE</small> C
<small>DO NOT SCALE DRAWING</small>	<small>DO NOT SCALE DRAWING</small>	<small>INTERPRETED BY</small> NONE	<small>Rev</small> 001
			Sheet 1 of 1