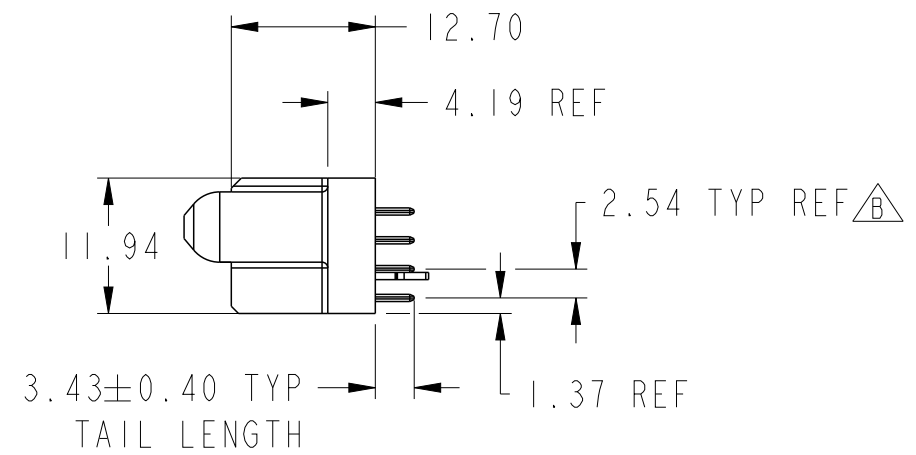
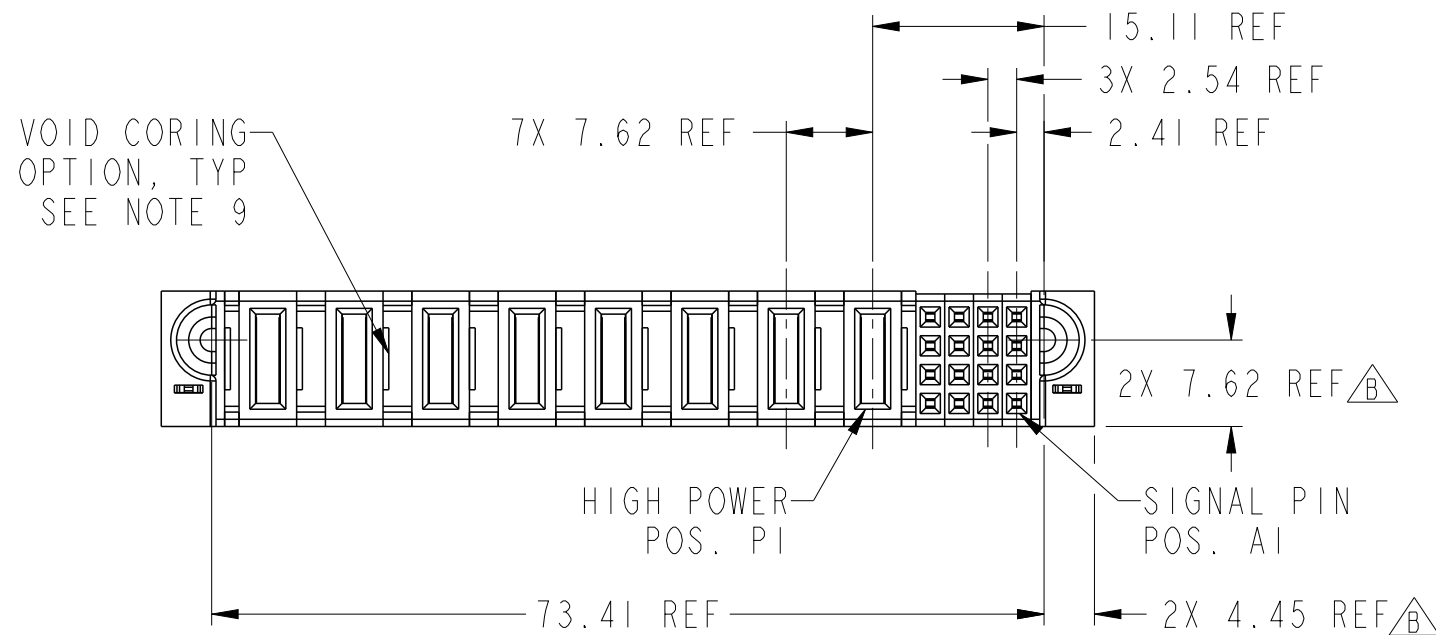
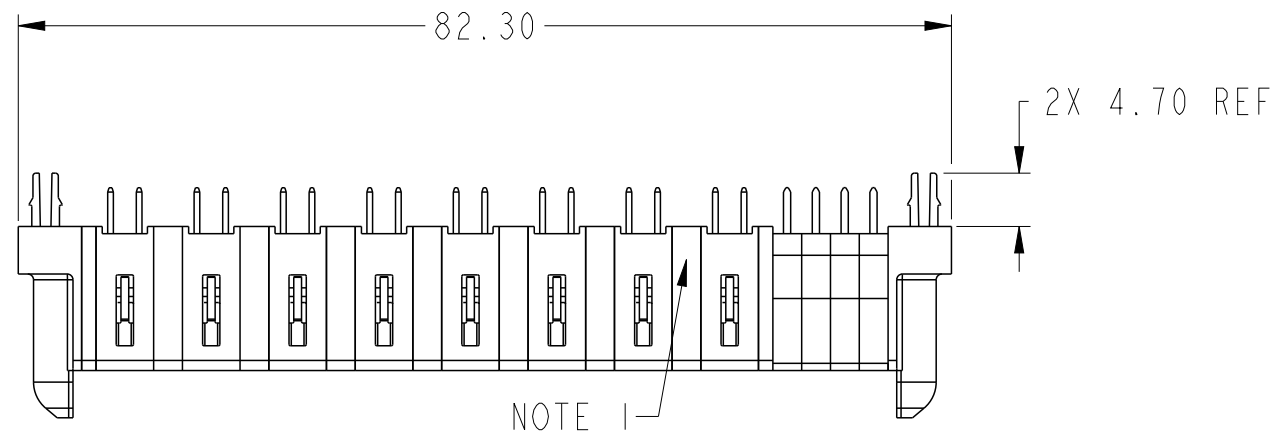
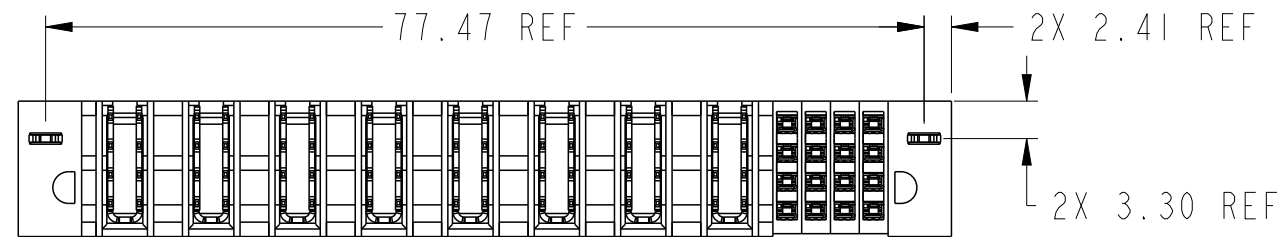


PRODUCT NUMBER SEE SHEET 2

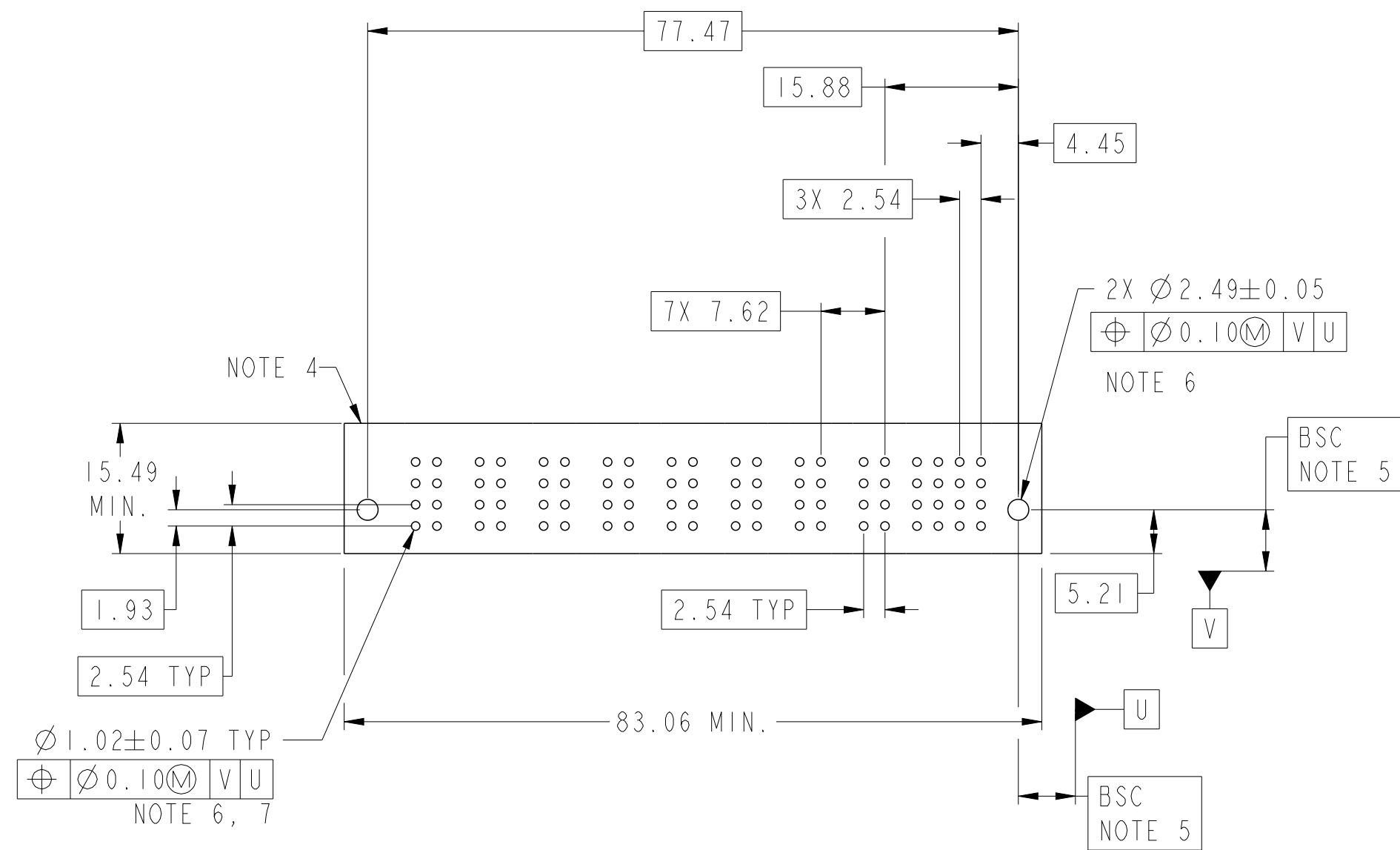


Copyright FCI.

spec ref		dr	Peng-Bing Fu	2012/06/19	projection	MM	size	A3	scale	3:2
tolerance std ASME Y14.5		eng	Peng-Bing Fu	2012/11/12			ecn no	ELX-DG-013146-1		
TOLERANCES UNLESS OTHERWISE SPECIFIED		chr	Tian-Xu Huang	2012/11/13	product family	PowerBlade+		rel level	Released	
		appr	Pei-Ming Zheng	2012/11/13		part no	16S + 8ACP		rev	B
surface	linear	0.X	±0.50	www.fci.com	cat. no.	Product - Customer Drw	sheet 1 of 3	dwg no	10106122-8004002	
		0.XX	±0.25						VT STB RECEPTACLE	
		0.XXX	±0.10							
ASME Y14.5	angular	0°	±2°							

PRODUCT NO.	ROWS	HIGH POWER									SIGNAL				
		E1	P8	P7	P6	P5	P4	P3	P2	P1	4	3	2	1	E2
10106122-8004002LF	DCBA		H3	H3	H3	H3	H3	H3	H3	H3	E	E	E	E	

CODE	DESCRIPTION
E	STD SIGNAL CONTACT
H3	STD HIGH POWER CONTACT (3.43)
HA	METAL HOLD DOWN



Copyright FCI.

dr	Peng-Bing Fu	2012/06/19	projection MM 	size	A3	scale	3:2	
eng	Peng-Bing Fu	2012/11/12		ecn no	ELX-DG-013146-1			
chr	Tian-Xu Huang	2012/11/13		product family	PowerBlade+	rel level	Released	
appr	Pei-Ming Zheng	2012/11/13						
		title 16S + 8ACP VT STB RECEPTACLE		dwg no 10106122-8004002	rev B			
www.fci.com			cat. no.	Product - Customer Drw		sheet 2 of 3		

A

B

C

D


A

B

C

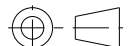


D

NOTES:

- 1) "FCI", PART NUMBER AND DATE CODE TO BE MARKED ON THIS SURFACE.
THE P/N CAN BE OMITTED IF THERE IS NOT ENOUGH SPACE ON THIS SURFACE.
- 2) MATERIALS:
-HOUSING - GLASS FILLED WITH HIGH TEMP THERMOPLASTIC, UL94V-0.
-SIGNAL CONTACT - COPPER ALLOY.
-POWER CONTACT - HIGH CONDUCTIVITY COPPER ALLOY.
- 3) PLATING SPECIFICATION REFER TO FCI 10116351
- 4) DENOTES CONNECTOR KEEP OUT ZONE.
- 5) DATUM AND BASIC DIMENSIONS WERE ESTABLISHED BY CUSTOMER.
- 6) ALL HOLE DIAMETERS ARE FINISHED HOLE SIZES.
- 7) 1.15 ± 0.025 MM DRILLED HOLE PLATED WITH 0.00762MM MIN Sn
OVER 0.0254-0.0762MM Cu PLATING TO ACHIEVE A 1.02 ± 0.07 MM HOLE.
- 8) PRODUCT SPECIFICATION REFER TO FCI GS-12-658.
APPLICATION SPECIFICATION REFER TO FCI GS-20-141.
PRODUCT PACKAGED IN TRAYS, REFER TO FCI GS-14-1502.
- 9) THE VOID CORING IN BETWEEN POWER MODULES, SIGNAL
MODULES AND END MODULES ARE OPTIONAL AND THE SHAPE
MAY BE DIFFERENT FOR OPTIMIZE THE MOLDING PROCESS. THE
VOID CORING WILL NOT EFFECT TO PRODUCT FUNCTION.
- 10) A  SYMBOL WILL BE NEXT TO ANY DIMENSION, VIEW, OR NOTE
WHICH HAS BEEN MODIFIED WITH THE CURRENT DRAWING REVISION.



Copyright FCI.

dr	Peng-Bing Fu	2012/06/19			size	A3	scale	1:1	
eng	Peng-Bing Fu	2012/11/12			ecn no	ELX-DG-013146-1			
chr	Tian-Xu Huang	2012/11/13			product family	PowerBlade+	rel level	Released	
appr	Pei-Ming Zheng	2012/11/13							
		title 16S + 8ACP VT STB RECEPTACLE			dwg no 10106122-8004002	rev B			
www.fci.com		cat. no.	Product - Customer Drw			sheet 3 of 3			