
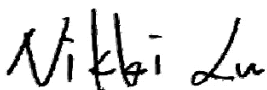



PSE Technology Corporation

SPECIFICATION FOR APPROVAL

CUSTOMER	_____
NOMINAL FREQUENCY	26.000000 MHz
HOLDER TYPE	TYPE UJ 2.5x2.0 SEAM SEALED CRYSTAL CLOCK OSCILLATOR
SPEC. NO. (P/N)	UJ2600001
CUSTOMER P/N	_____
ISSUE DATE	February 17, 2011
VERSION	C

APPROVED	PREPARED	QA
		
APPROVED BY CUSTOMER :		AVL Status
Please return one copy with approval to PSE-TW		

PSE Technology Corporation

No.2, Tzu-Chiang 5th Rd, Chung Li Industrial Park,
 Chung Li City, Taoyuan County, Taiwan (R.O.C.)
 TEL: 886-3-451-8888
 FAX: 886-3-461-3865
<http://www.saronix-ecera.com.tw>

- *Pb-free
- *RoHS Compliant
- *HF-Halogen Free
- *REACH Compliant

*** A company of  PERICOM Semiconductor Corporation ***

TYPE UJ 2.5x2.0 SEAM SEALED CRYSTAL CLOCK OSCILLATOR

UJ2600001

VER. C 17-Feb-11

VERSION HISTORY

Version No.	Version Date	Customer Receipt Date	Supplier Receipt Date	Description	Notes
A	Mar.30,2010			Initial Release	
A	Aug.23,2010			Changed Logo	
C	Feb.17,2011			1.Revised format 2.Jitter, Phase from 10KHz ~ 20MHz Frequency Band to 12KHz ~ 20MHz Frequency Band	



TYPE UJ 2.5x2.0 SEAM SEALED CRYSTAL CLOCK OSCILLATOR

UJ2600001

VER. C 17-Feb-11

ELECTRICAL SPECIFICATIONS

SRe Part Number : UJ2600001

Item	Symbol	Specifications	Units	Notes
Nominal Frequency	F ₀	26.000000	MHz	
Frequency Stability	FT	± 20	ppm	**See note
Operating Temperature Range	TR	-30 to +85	°C	
Supply Voltage	V _{DD}	+1.8V ± 10%	V	
Logic Type	LT	Clipped Sinewave		
Supply Current, Output Enabled	I _{DD} /OE	2	mA	Max
Duty Cycle (Symmetry)	DC/SY	45 / 55	%	Measured 50% of Waveform
Output Voltage		0.4 - 0.9	Vp-p	
Output Load	ZL	10 / 10	pF/KΩ	
Jitter, Phase	RMS(1-σ)	2	ps	Max. 12KHz ~ 20MHz Frequency Band
Output Harmonic Level (2nd)		-20	dBc	Max
Output Harmonic Level (3rd)		-14	dBc	Max
Output Harmonic Level (4th)		-20	dBc	Max
Storage Temperature Range		-55°C to +125°C	°C	

※ This product doesn't include harmful substance that stipulated by SONY SS-00259 Level 1 and S-AT2-001 Level 1 standard. RoHS Compliant (Pb - Free).

**Stability includes all combinations of Operating Temperature, Load changes, rated Input (Supply) Voltage changes, Initial Calibration Tolerance (25°C), Aging (1 year at 25°C Average Effective Ambient Temperature), Shock and Vibration.

Output Enable / Disable Function

Parameter	Min.	Typ.	Max.	Units	Notes
Input Voltage (Pin1), Output Enable	0.7V _{DD}			V	Or Open
Input Voltage (Pin1), Output Disable (low power standby)			0.3V _{DD}	V	Output is Hi-Z
Internal Pullup Resistance	30			KΩ	
Output Disable Delay			50	ns	

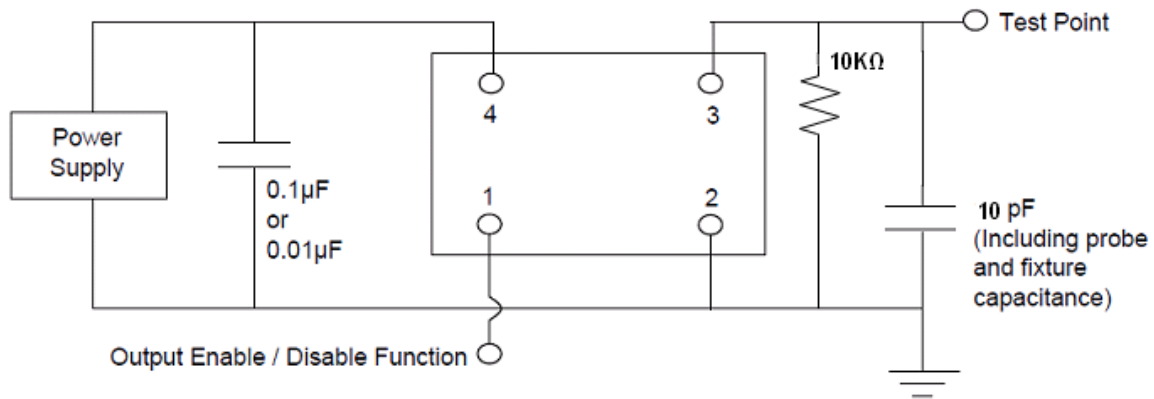


TYPE UJ 2.5x2.0 SEAM SEALED CRYSTAL CLOCK OSCILLATOR

UJ2600001

VER. C 17-Feb-11

TEST CIRCUIT



RELIABILITY SPECIFICATIONS

ENVIRONMENTAL:

- a) THERMAL SHOCK: MIL-STD-883, Method 1011, Condition A
- b) MOISTURE RESISTANCE: MIL-STD-883, Method 1004
- c) VIBRATION: MIL-STD-883, Method 2007, Condition A
- d) RESISTANCE TO SOLDERING HEAT: J-STD-020D Table 5-2 Pb-free devices (except 2 cycles max)
- e) HAZARDOUS SUBSTANCE: Pb - free and RoHS/Green Compliant.

MECHANICAL:

- a) SHOCK: MIL-STD-883, Method 2002, Condition B
- b) SOLDERABILITY: JESD22-B102-D Method 2 (Preconditioning E)
- c) TERMINAL STRENGTH: MIL-STD-883, Method 2004, Test Condition D
- d) GROSS LEAK: MIL-STD-883, Method 1014, Condition C
- e) FINE LEAK: MIL-STD-883, Method 1014, Condition A2, $R1=2 \times 10^{-8}$ atm cc/s
- f) SOLVENT RESISTANCE: MIL-STD-202, Method 215

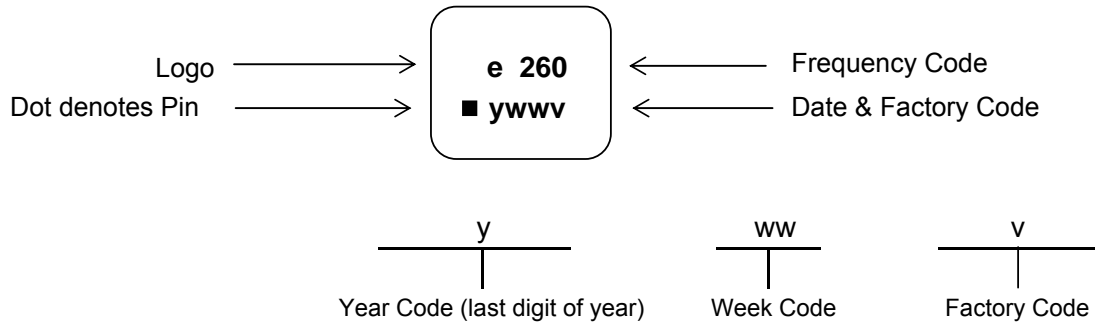


TYPE UJ 2.5x2.0 SEAM SEALED CRYSTAL CLOCK OSCILLATOR

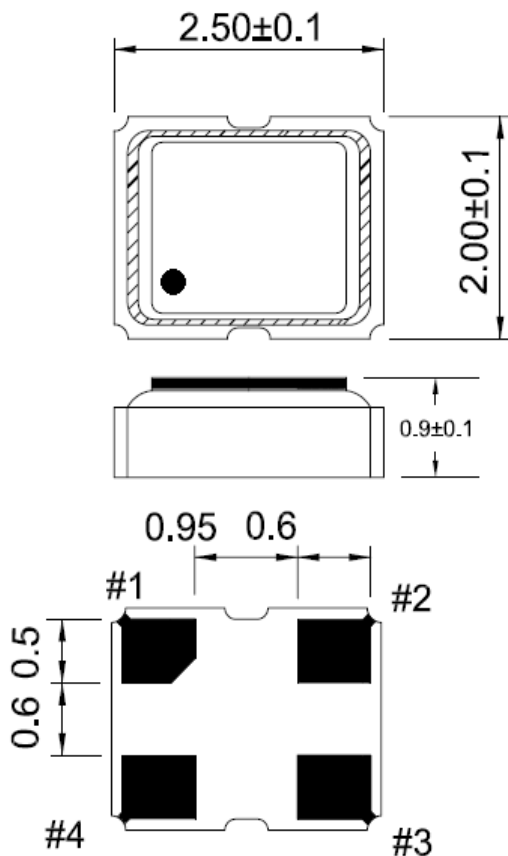
UJ2600001

VER. C 17-Feb-11

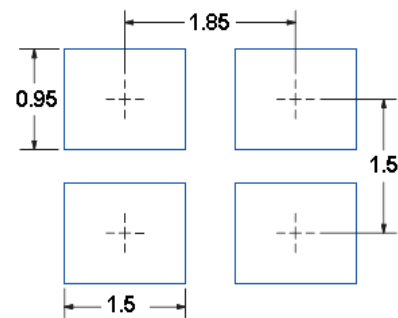
MARKING



MECHANICAL DRAWINGS (Scale:None. Dimensions are in mm.)



Recommended Land Pattern*



*External high-frequency power decoupling is recommended. (see test circuit for minimum recommendation). To ensure optimal performance, do not route traces beneath the package.

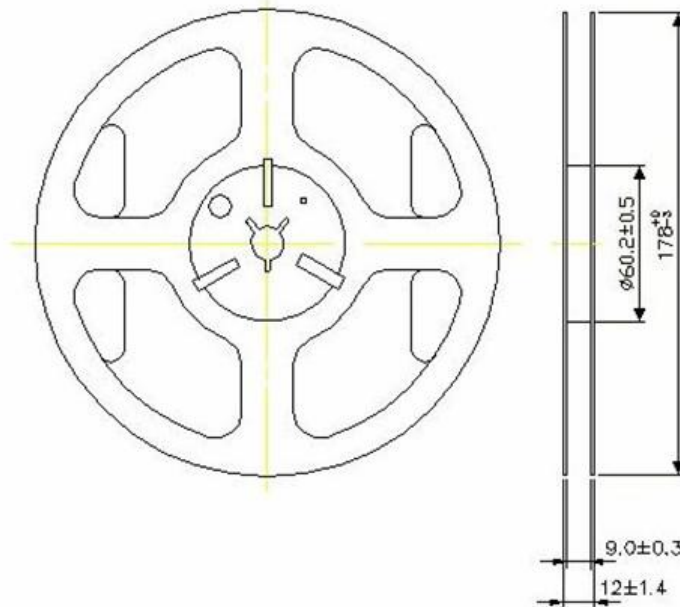
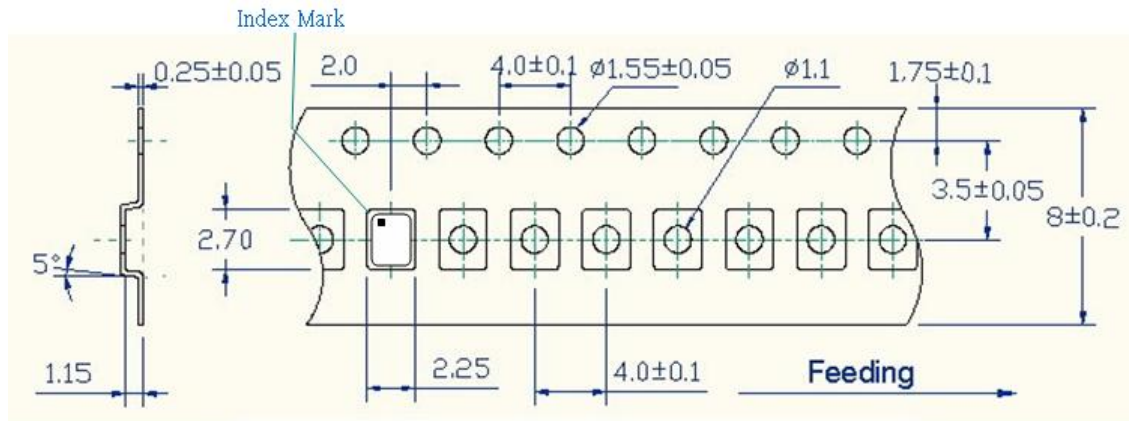
Pin	Function
1	OE
2	Ground
3	Clock Output
4	V _{DD}

TYPE UJ 2.5x2.0 SEAM SEALED CRYSTAL CLOCK OSCILLATOR

UJ2600001

VER. C 17-Feb-11

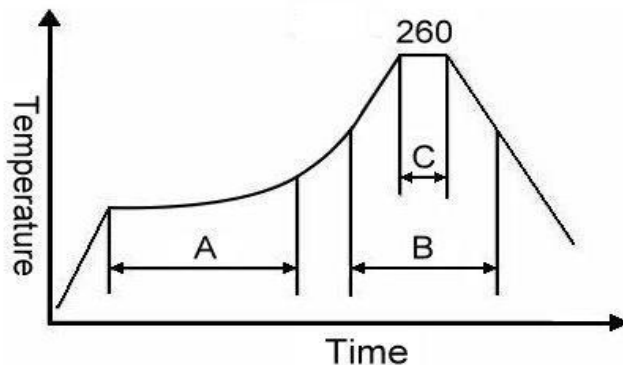
TAPE & REEL



1. 230mm minimum leader which consist of carrier and/or tape followed by a minimum of 160mm of empty carrier tape sealed with cover tape.
2. 160mm minimum trailer of empty carrier tape sealed with cover tape.

SUGGESTED IR REFLOW PROFILE

*As per IPC-JEDEC J-STD-020D



Note:

	Stage	Temperature	Time
A	Preheat	150~200°C	60~120 Sec
B	Primary Heat	217°C	60~150 Sec
C	Peak	260°C	10 Sec

For soldering reflow profile and reliability test ratings go to: <http://www.pericom.com/pdf/sre/reflow.pdf>

TYPE UJ 2.5x2.0 SEAM SEALED CRYSTAL CLOCK OSCILLATOR

UJ2600001

VER. C 17-Feb-11

PACKING

