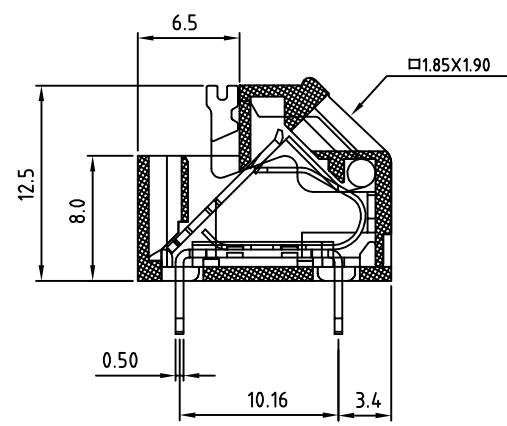
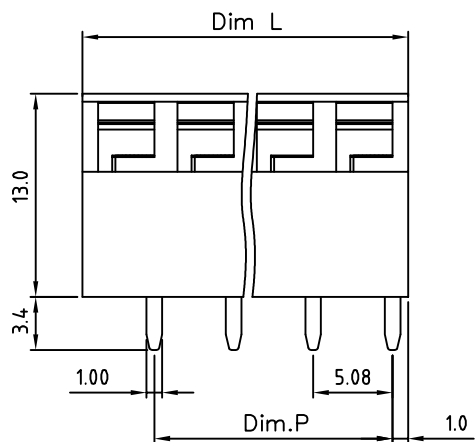
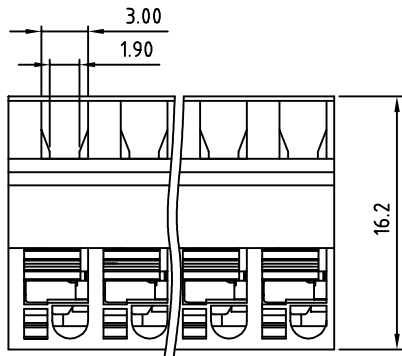
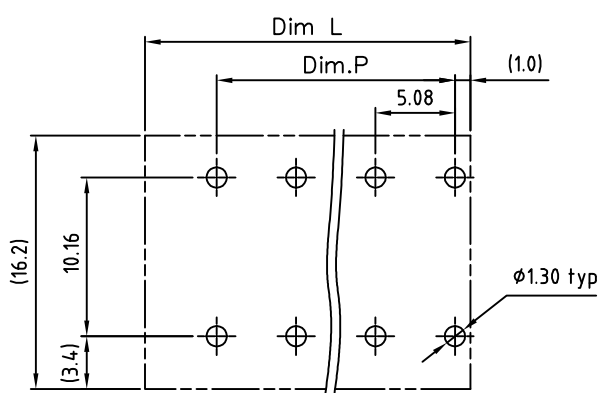


SIGN	DATE	DESCRIPTION	APPROVER
△	10/22/2014	Drawing updated	Da cheng
<i>THIS IS CAD DRAWING, DO NOT REVISE MANUALLY!!!</i>			



DIM	TOL				
	2P-5P	6P-12P	13P-16P	17P-24P	
Dim L	Nx5.08+0.5	±0.20	±0.30	±0.40	±0.50
Dim P	(N-1)x5.08	±0.20	±0.30	±0.40	±0.50



P.C.B. LAYOUT
Bottom view

THESE DRAWINGS AND SPECIFICATIONS ARE THE PROPERTY OF ON-SHORE TECHNOLOGY, INC. AND SHALL NOT BE REPRODUCED, COPIED OR USED IN ANY MANNER WITHOUT THE PRIOR WRITTEN CONSENT OF ON-SHORE TECHNOLOGY, INC.

△ Material

- Terminal body Thermoplastic (UL94V-0)
- Terminal cover Thermoplastic (UL94V-0)
- Terminal lever Thermoplastic (UL94V-0) Orange (RAL 2011/P)
- Solder pin Brass, Tin plated
- Spring clamp Stainless steel

Electrical cULus

- Voltage rating: 250VAC
- Current rating: 12A
- Wire range:
Solid wire(AWG): 16-22
Stranded wire(AWG): 16-22
- Withstanding Voltage: 1.5KV
- Operating temperature: -40°C to +115°C
- Soldering temperature: 260°C±5°C/5 Sec
- Safety Approval: cULus
- RoHS Compliant

PART NUMBER:

OSTHDX0080

No. of Poles →
02 2 Poles
03 3 Poles
: :
24 24 Poles

COLOR
0: Black
5: Green
6: Blue
8: Grey (Standard)



TITLE		OSTHD-5.08mm series	
PART NO.	OSTHDX0080	DWG NO.	OSTHDX0080.DWG
APPROVED	CHECKED	DESIGNED	DRAWN
		Da Cheng 2012.10.22	Da Cheng 2012.10.22
		CUST NO.	
		Tolerance	
		X. ±0.50	
		X.X ±0.30	
		X.XX ±0.10	
		X° ±1°	
SHEET: 01/01		REV: I	