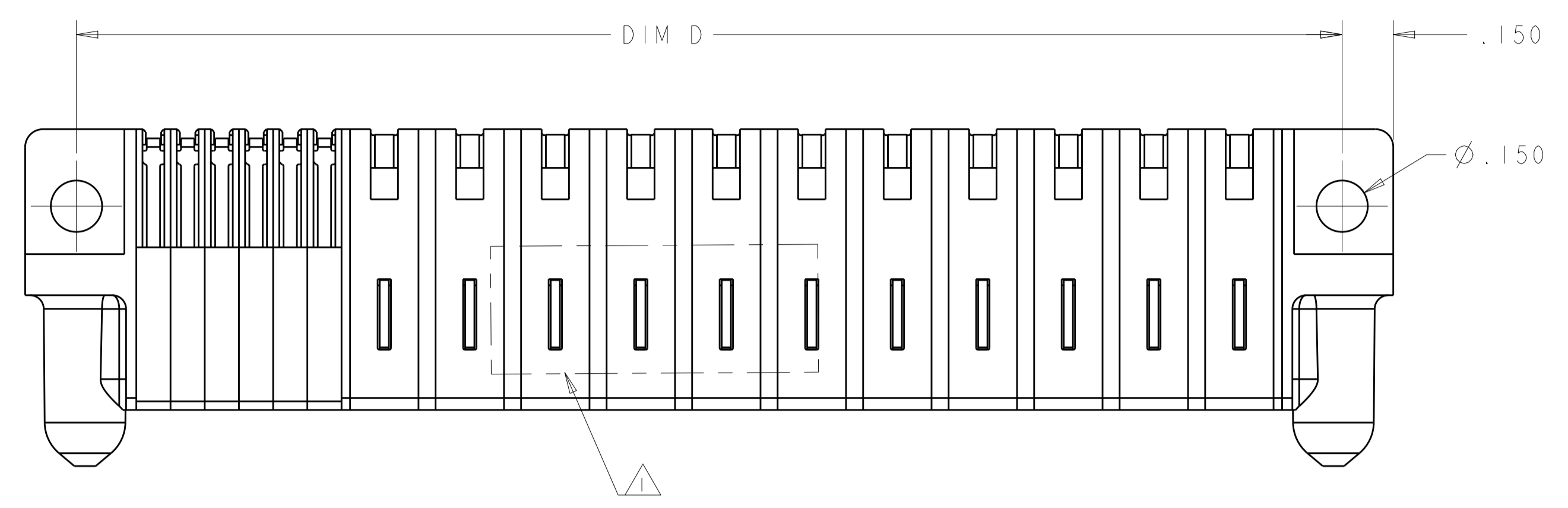
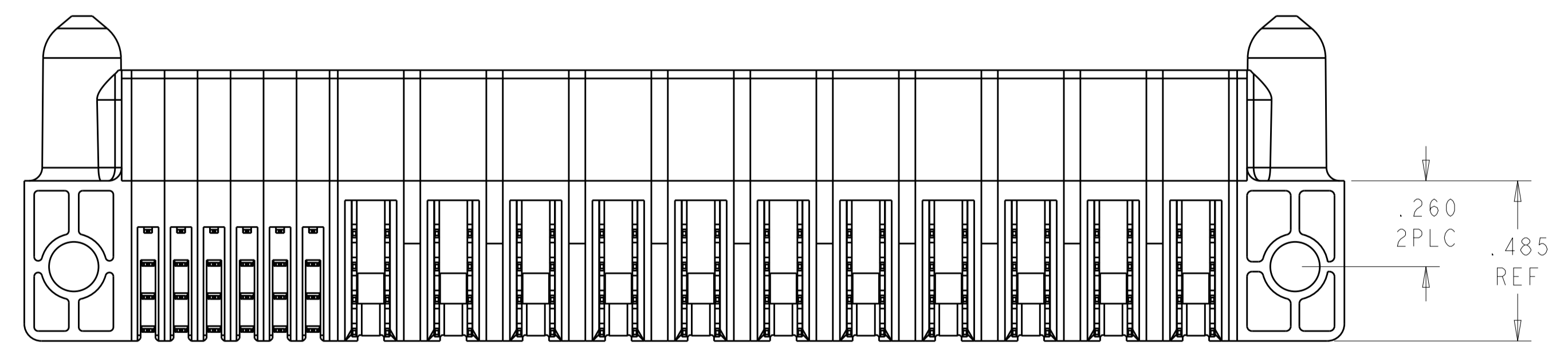
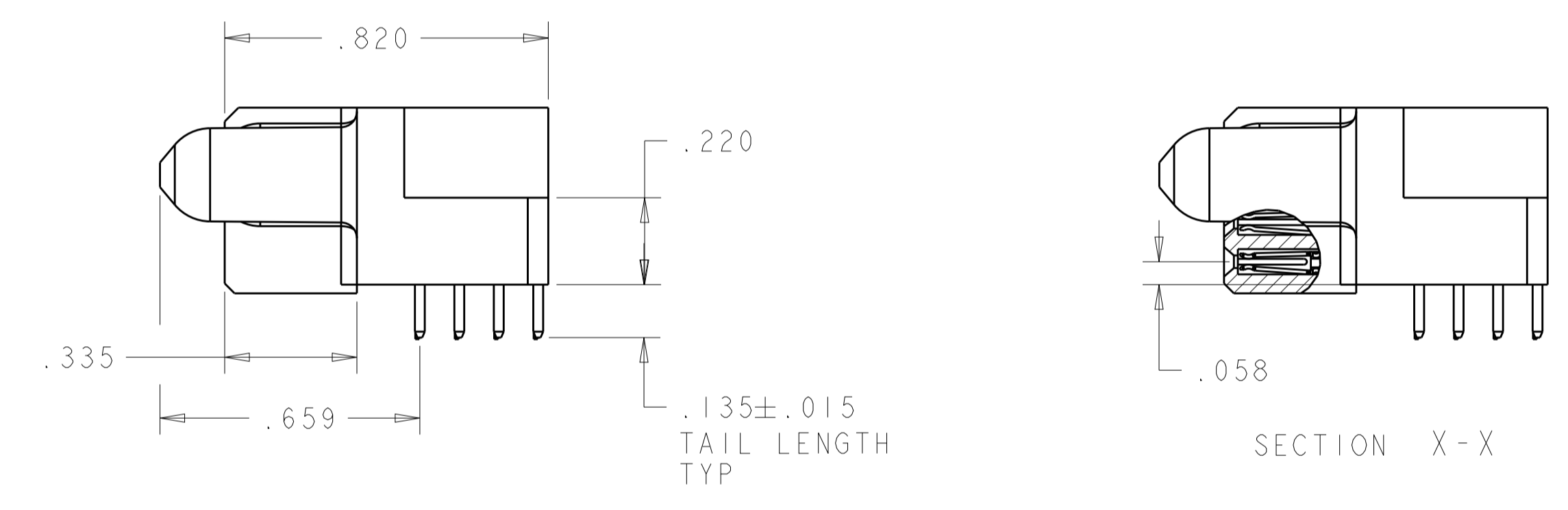
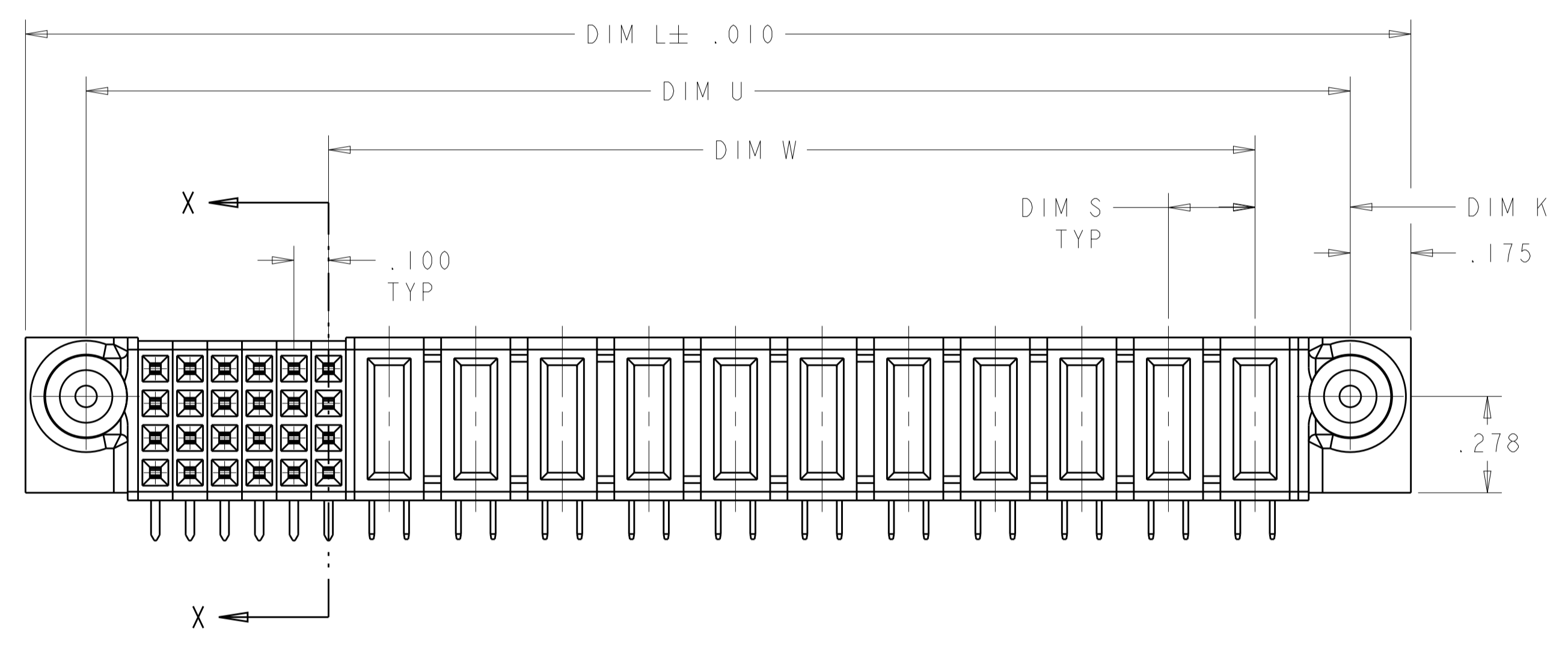


LOC	DIST	REVISIONS			
P	LTN	DESCRIPTION	DATE	DWN	APVD
C		REV PER ECR-09-022806	19OCT2009	OL	SY
C1		REV PER ECR-10-015349	07JUL2010	AL	WMQ
C2		ADDED THE DASH NO -4	24MAY2011	ML	SZ
C3		ADVISED	16MAR2013	ML	SZ



- ① "AMP", TRADEMARK, PART NUMBER AND DATE CODE TO BE MARKED IN AREA SHOWN PARTS UNDER 2.00 LONG MAY BE MARKED ON BOTH SIDES.
- ② MATERIAL: HOUSING - GLASS FILLED HIGH TEMP THERMO PLASTIC, UL94 V-0
SIGNAL CONTACT - COPPER ALLOY
POWER CONTACT - COPPER ALLOY
- ③ CONTACT PLATING: NOBLE METAL PLATING ON CONTACT FUNCTIONAL AREA OF POWER AND SIGNAL CONTACTS
- ④ MECHANICAL CONNECTOR KEEP OUT ZONE.
- ⑤ DATUM AND BASIC DIMENSIONS ESTABLISHED BY CUSTOMER.
- ⑥ PCB - ALL HOLE DIAMETERS ARE FINISHED HOLE SIZES.
- ⑦ PCB - .0453 ±.0010 DRILLED HOLES PLATED WITH .0003 MIN Sn OVER .001 TO .003 CU PLATING TO ACHIEVE A .040±.003 DIA HOLE.
- ⑧ VARIABLE DIMENSIONS PLEASE REFER TO TABLE.



1.900	.250	.675	1.950	2.250	.275	4P + 24S	6450362-8
3.400	.250	2.425	3.450	3.750	.275	10P + 24S	6450362-7
2.700	⑧	1.825	2.750	3.050	.275	4ACP+3P+20S	6450362-6
2.900	.250	1.925	2.950	3.250	.275	8P + 24S	6450362-4
3.650	.250	2.675	3.700	4.000	.275	11P + 24S	6450362-3
DIM U	DIM S	DIM W	DIM D	DIM L	DIM K	DESCRIPTION	PART NUMBER

THIS DRAWING IS A CONTROLLED DOCUMENT.

DIMENSIONS: INCHES

TOLERANCES UNLESS OTHERWISE SPECIFIED:

0 PLC	±
1 PLC	±.01
2 PLC	±.005
3 PLC	±.002
4 PLC	±.002
ANGLES	±.020

MATERIAL:

FINISH:

THIS DRAWING IS A CONTROLLED DOCUMENT. DWN: S. ZHAO 02MAR2007. CHK: S. ZHAO 02MAR2007. APVD: S. ZHAO

NAME: RIGHT ANGLE RECEPTACLE ASSEMBLY WITH GUIDE MODULES MULTI-BEAM XL

PRODUCT SPEC: 108-1973

APPLICATION SPEC: 114-13038

SIZE: A1 00779

WEIGHT: -

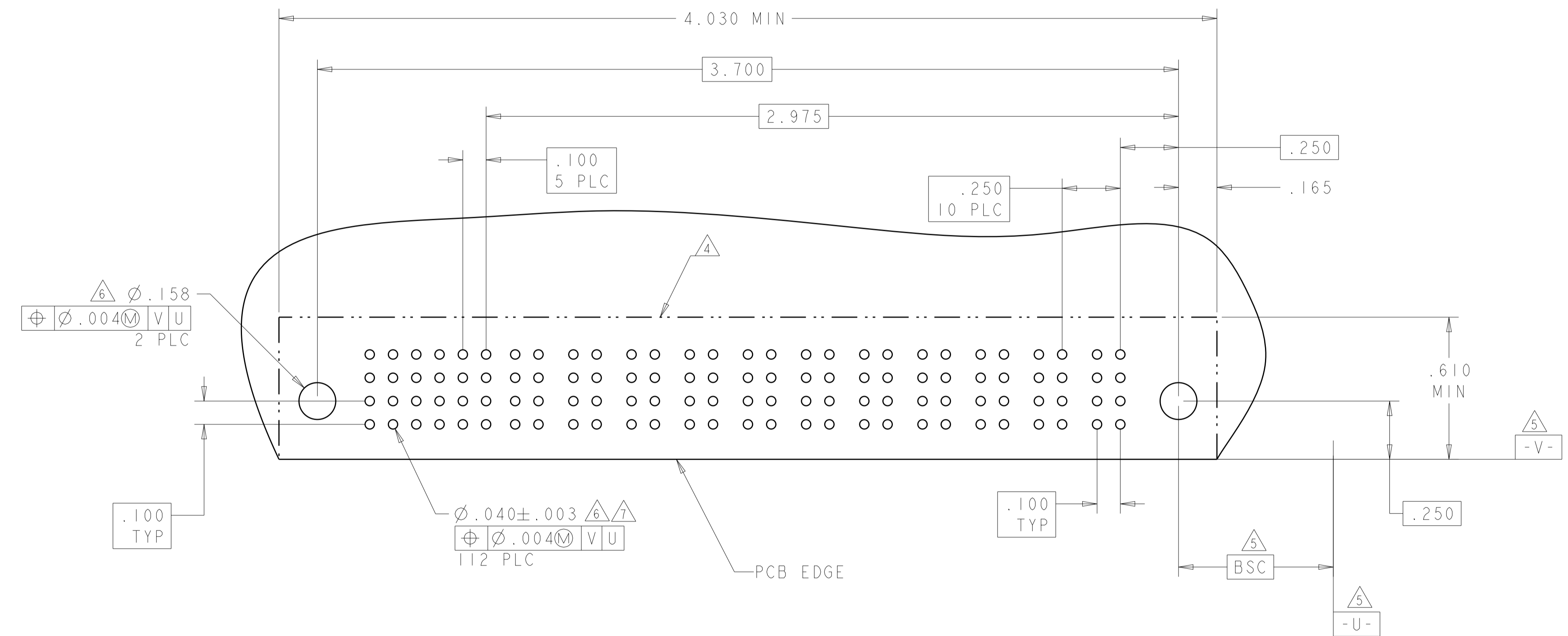
CUSTOMER DRAWING

SCALE: 1:1 SHEET 1 OF 5 REV: C3

TE Connectivity

LOC	DIST	REVISIONS			
P	LTN	DESCRIPTION	DATE	DWN	APVD
-	-	SEE SHEET 1	-	-	-

PART NUMBER	ROWS	SIGNAL					POWER											
		6	5	4	3	2	1	P11	P10	P9	P8	P7	P6	P5	P4	P3	P2	P1
6450362-3	D	H	H	H	H	H	H	RM	RM	RM	RM	RM	RM	RA	RM	RM	RM	RM
	C	G	G	G	G	G	G	RM	RM	RM	RM	RM	RM	RA	RM	RM	RM	RM
	B	F	F	F	F	F	F	RM	RM	RM	RM	RM	RM	RA	RM	RM	RM	RM
	A	E	E	E	E	E	E	RM	RM	RM	RM	RM	RM	RA	RM	RM	RM	RM
IIP + 24S																		



CODE	DESCRIPTION	ROW
RA	.135 TAIL LENGTH POWER, MFBL	-
RM	.135 TAIL LENGTH POWER, STD	-
H	.135 TAIL LENGTH SIGNAL	D
G	.135 TAIL LENGTH SIGNAL	C
F	.135 TAIL LENGTH SIGNAL	B
E	.135 TAIL LENGTH SIGNAL	A
CONTACT TABLE		

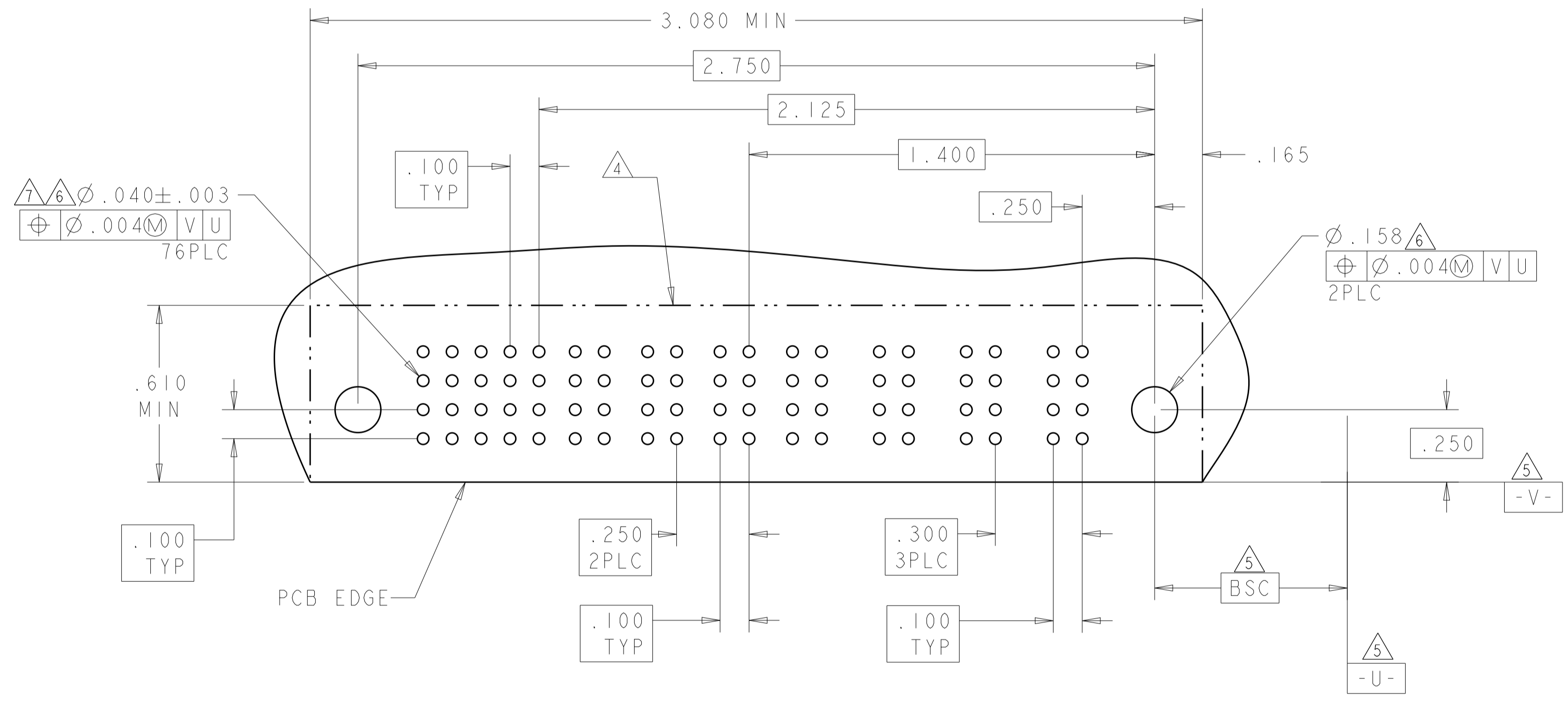
THIS DRAWING IS A CONTROLLED DOCUMENT.		DWN S. ZHAO 02MAR2007	 TE Connectivity
DIMENSIONS: INCHES		CHK S. ZHAO 02MAR2007	
TOLERANCES UNLESS OTHERWISE SPECIFIED:		APVD S. ZHAO	NAME RIGHT ANGLE RECEPTACLE ASSEMBLY WITH GUIDE MODULES MULTI-BEAM XL
0 PLC ±.01		PRODUCT SPEC	SIZE A100779
1 PLC ±.01		APPLICATION SPEC	CAGE CODE C=6450362
2 PLC ±.005		RESTRICTED TO	SCALE 1:1
3 PLC ±.0020		REVISIONS	SHEET 2 OF 5
4 PLC ±.0020		DATE	REV C3
ANGLES ±.0020		WEIGHT	CUSTOMER DRAWING
FINISH		SCALE	1:1
MATERIAL		SCALE	1:1

LOC	DIST	REVISIONS			
P	LTN	DESCRIPTION	DATE	DMN	APVD
-	-	SEE SHEET 1	-	-	-

PART NUMBER	ROWS	SIGNAL					POWER						
		5	4	3	2	1	P7	P6	P5	P4	P3	P2	P1
6450362-6	D	H	H	H	H	H	RM	RM	RM	RM	RM	RM	RM
	C	G	G	G	G	G	RM	RM	RM	RM	RM	RM	
	B	F	F	F	F	F	RM	RM	RM	RM	RM	RM	
	A	E	E	E	E	E	RM	RM	RM	RM	RM	RM	

4ACP+3P+20S

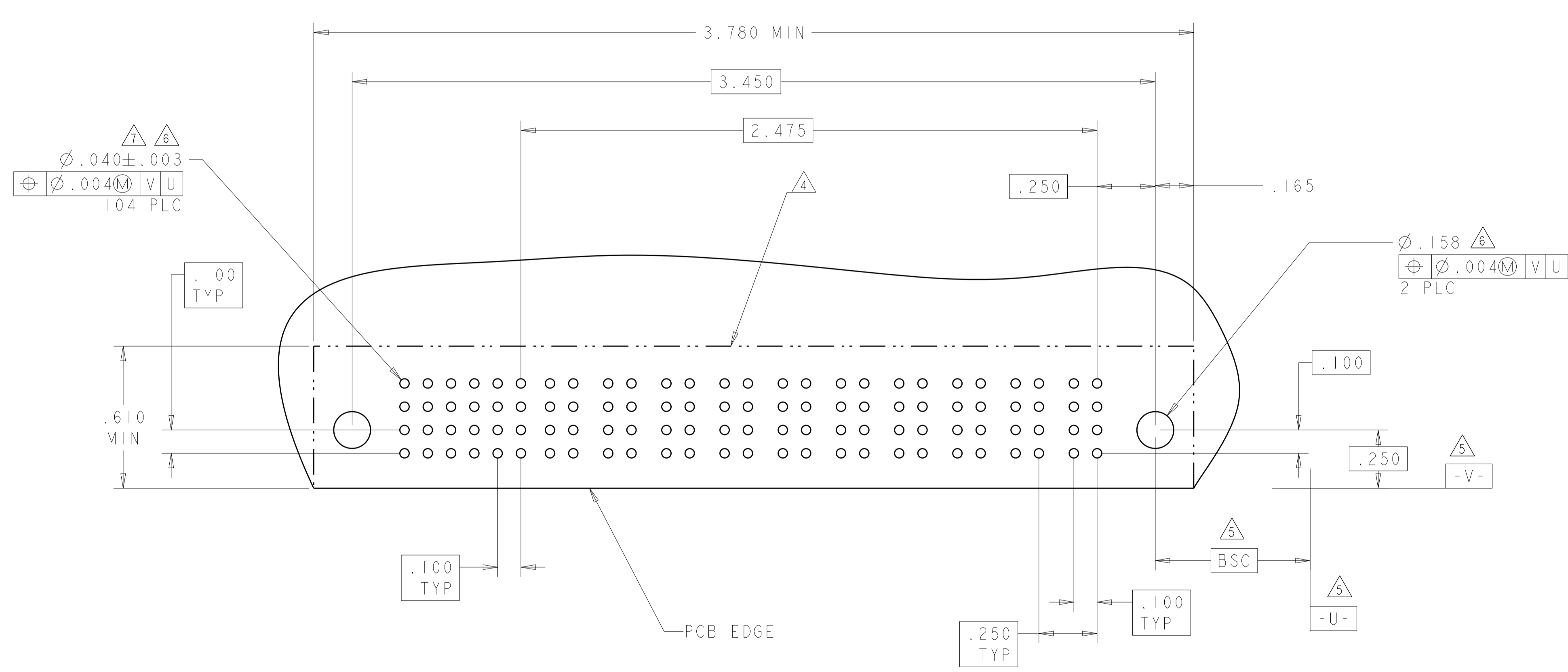
.250 3PLC .300 3PLC



THIS DRAWING IS A CONTROLLED DOCUMENT.		DMN S. ZHAO 02MAR2007	TE Connectivity																		
DIMENSIONS: INCHES		CHK S. ZHAO 02MAR2007																			
<table border="1"> <tr> <th>TOLERANCES UNLESS OTHERWISE SPECIFIED:</th> <th>0 PLC</th> <th>±</th> </tr> <tr> <td>1 PLC</td> <td>±.01</td> <td></td> </tr> <tr> <td>2 PLC</td> <td>±.01</td> <td></td> </tr> <tr> <td>3 PLC</td> <td>±.005</td> <td></td> </tr> <tr> <td>4 PLC</td> <td>±.0020</td> <td></td> </tr> <tr> <td>ANGLES</td> <td>±.020</td> <td>°</td> </tr> </table>		TOLERANCES UNLESS OTHERWISE SPECIFIED:	0 PLC	±	1 PLC	±.01		2 PLC	±.01		3 PLC	±.005		4 PLC	±.0020		ANGLES	±.020	°	APVD S. ZHAO	NAME
TOLERANCES UNLESS OTHERWISE SPECIFIED:	0 PLC	±																			
1 PLC	±.01																				
2 PLC	±.01																				
3 PLC	±.005																				
4 PLC	±.0020																				
ANGLES	±.020	°																			
		PRODUCT SPEC	RIGHT ANGLE RECEPTACLE ASSEMBLY WITH GUIDE MODULES MULTI-BEAM XL																		
MATERIAL		APPLICATION SPEC	RESTRICTED TO																		
FINISH		108-1973	SIZE CAGE CODE DRAWING NO																		
		114-13038	A100779C=6450362																		
		WEIGHT	SCALE 1:1 SHEET 3 OF 5 REV C3																		
		CUSTOMER DRAWING																			

LOC	DIST	REVISIONS					
		P	LTN	DESCRIPTION	DATE	DMN	APVD
ES	00	-	-	SEE SHEET 1	-	-	-

PART NUMBER	ROWS	SIGNAL						POWER									
		6	5	4	3	2	1	P10	P9	P8	P7	P6	P5	P4	P3	P2	P1
6450362-7	D C B A	H	H	H	H	H	H	RM	RM	RM	RM	RM	RM	RM	RM	RM	RM
		G	G	G	G	G	G										
		F	F	F	F	F	F										
		E	E	E	E	E	E										
10P + 24S																	

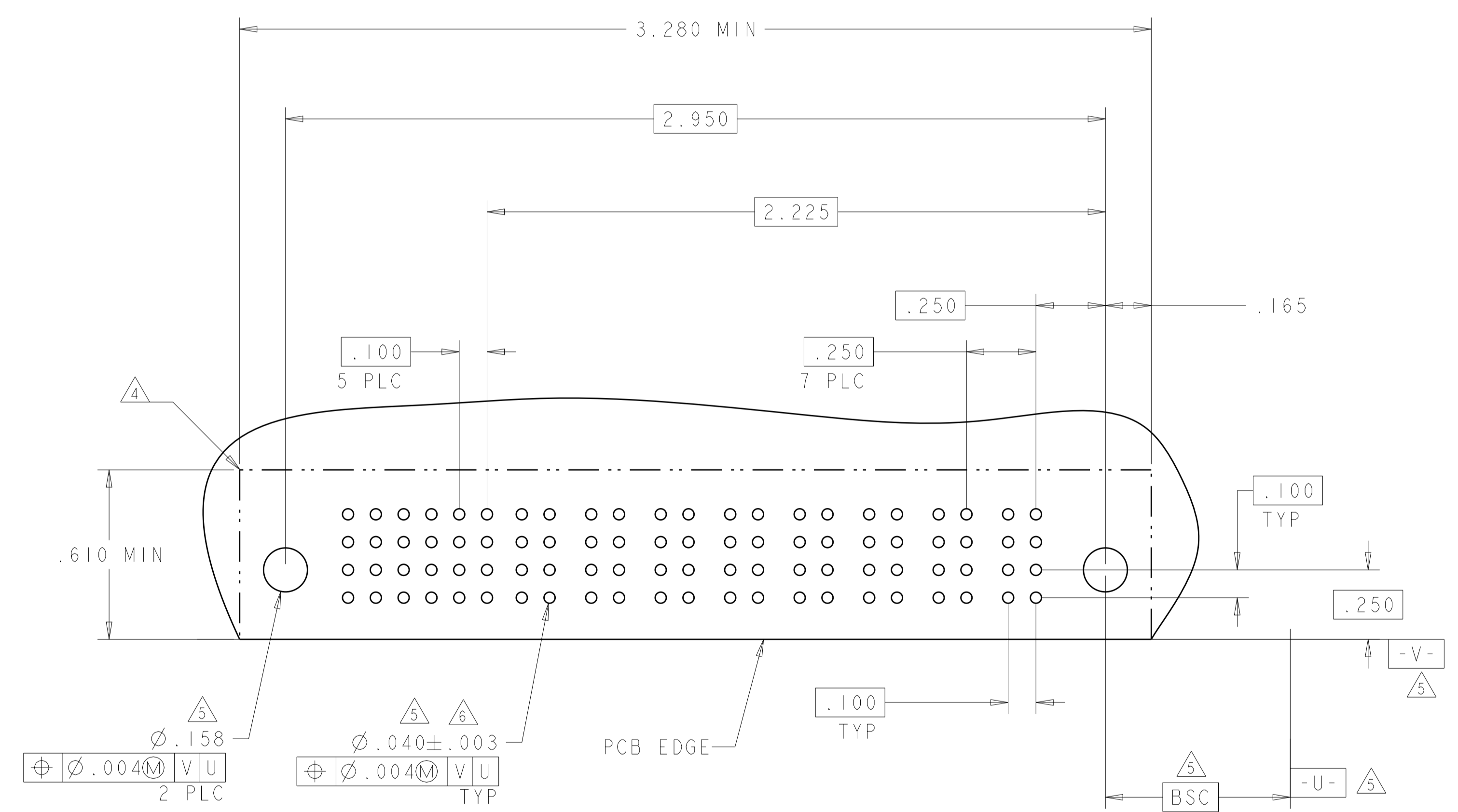
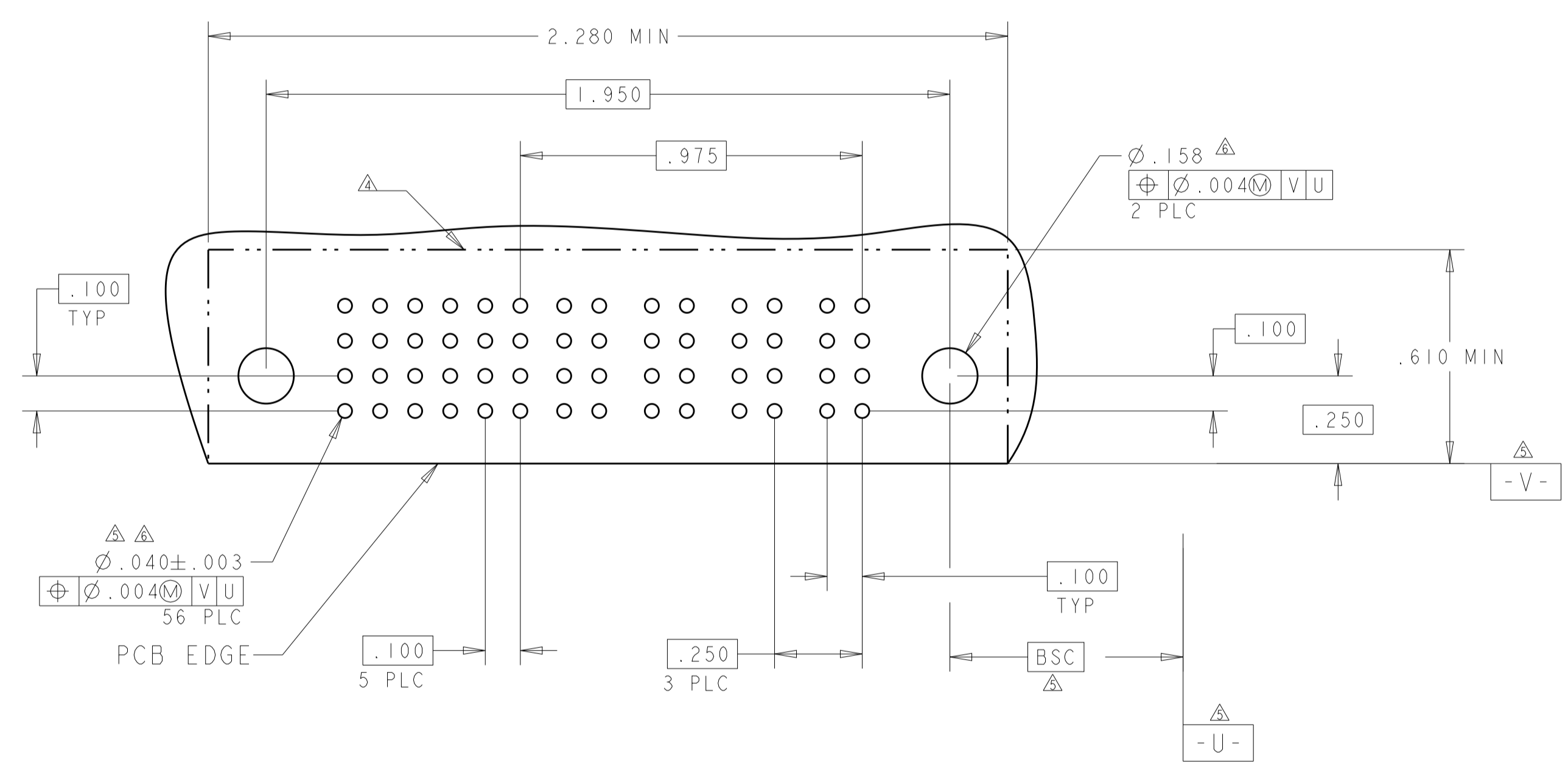


THIS DRAWING IS A CONTROLLED DOCUMENT.

DIMENSIONS: INCHES	TOLERANCES UNLESS OTHERWISE SPECIFIED: 0 PLC ±. 1 PLC ±.01 2 PLC ±.01 3 PLC ±.005 4 PLC ±.0020 ANGLES ±2° FINISH	DMN S.ZHAO 02MAR2007 CHK S.ZHAO 02MAR2007 APVD S.ZHAO NAME S.ZHAO PRODUCT SPEC 108-1973 APPLICATION SPEC 114-13038 WEIGHT CUSTOMER DRAWING	TE Connectivity NAME RIGHT ANGLE RECEPTACLE ASSEMBLY WITH GUIDE MODULES MULTI-BEAM XL SIZE CAGE CODE DRAWING NO. A100779C=6450362 SCALE 1:1 SHEET 4 OF 5 REV C3
-----------------------	---	---	--

PART NUMBER	ROWS	SIGNAL						POWER			
		6	5	4	3	2	1	P4	P3	P2	P1
6450362-8	D C B A	H	H	H	H	H	H	RM	RM	RM	RM
		G	G	G	G	G	G				
		F	F	F	F	F	F				
		E	E	E	E	E	E				
4P + 24S											

PART NUMBER	ROWS	SIGNAL						POWER							
		6	5	4	3	2	1	P8	P7	P6	P5	P4	P3	P2	P1
6450362-4	D C B A	H	H	H	H	H	H	RM	RM	RM	RM	RM	RM	RM	RM
		G	G	G	G	G	G								
		F	F	F	F	F	F								
		E	E	E	E	E	E								
8P + 24S															



THIS DRAWING IS A CONTROLLED DOCUMENT.

DIMENSIONS: INCHES	TOLERANCES UNLESS OTHERWISE SPECIFIED: 0 PLC ±. 1 PLC ±.01 2 PLC ±.01 3 PLC ±.01 4 PLC ±.005 ANGLES ±.0020	DWN S. ZHAO CHK S. ZHAO APVD S. ZHAO DATE 02MAR2007 02MAR2007	 TE Connectivity RIGHT ANGLE RECEPTACLE ASSEMBLY WITH GUIDE MODULES MULTI-BEAM XL		
MATERIAL	FINISH	PRODUCT SPEC 108-1973 APPLICATION SPEC 114-13038 WEIGHT		SIZE A100779 CAGE CODE C=6450362	
CUSTOMER DRAWING		SCALE 1:1	SHEET 5	OF 5	REV C3