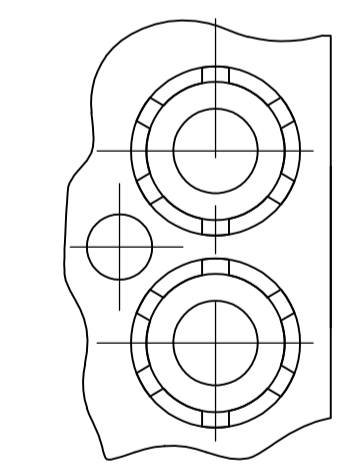
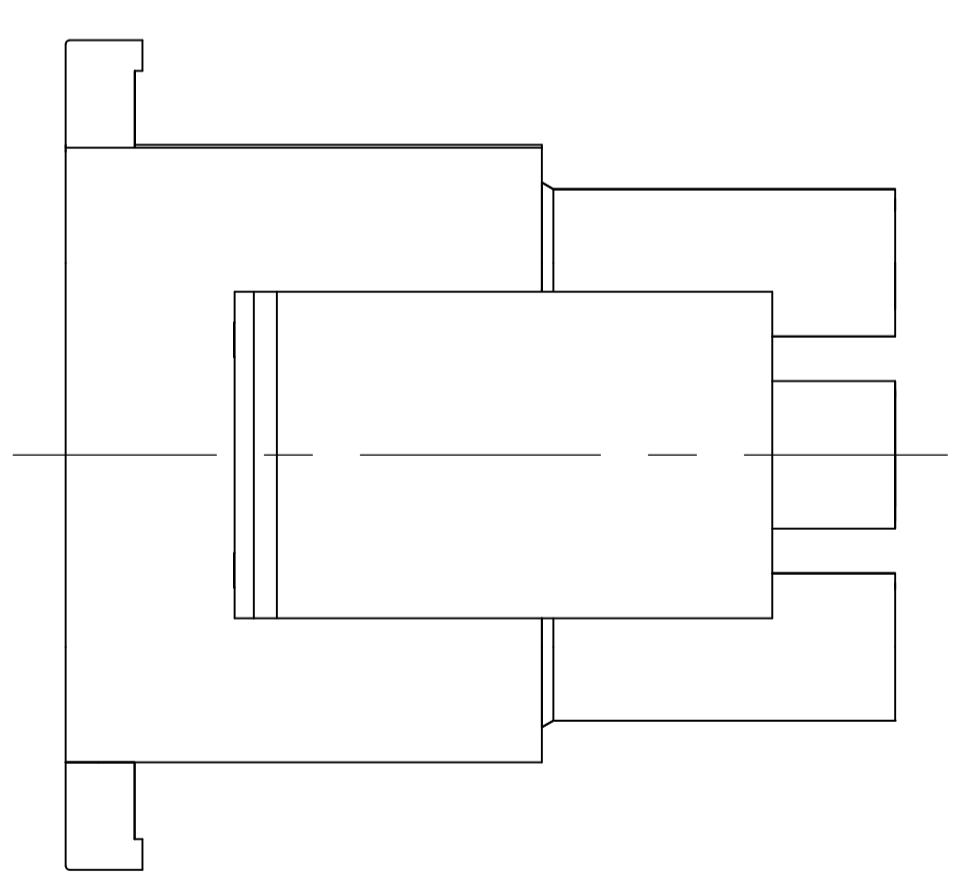
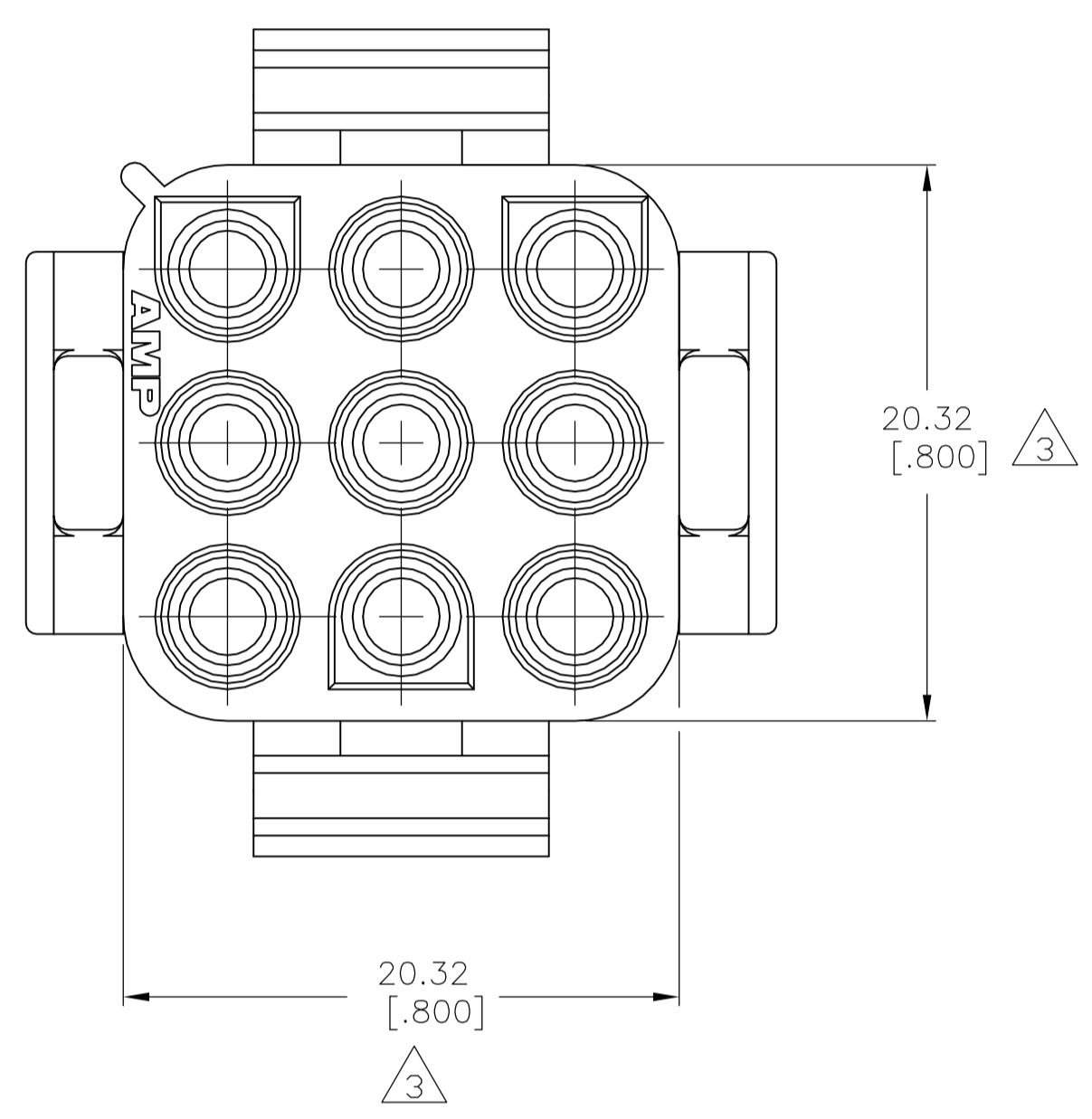
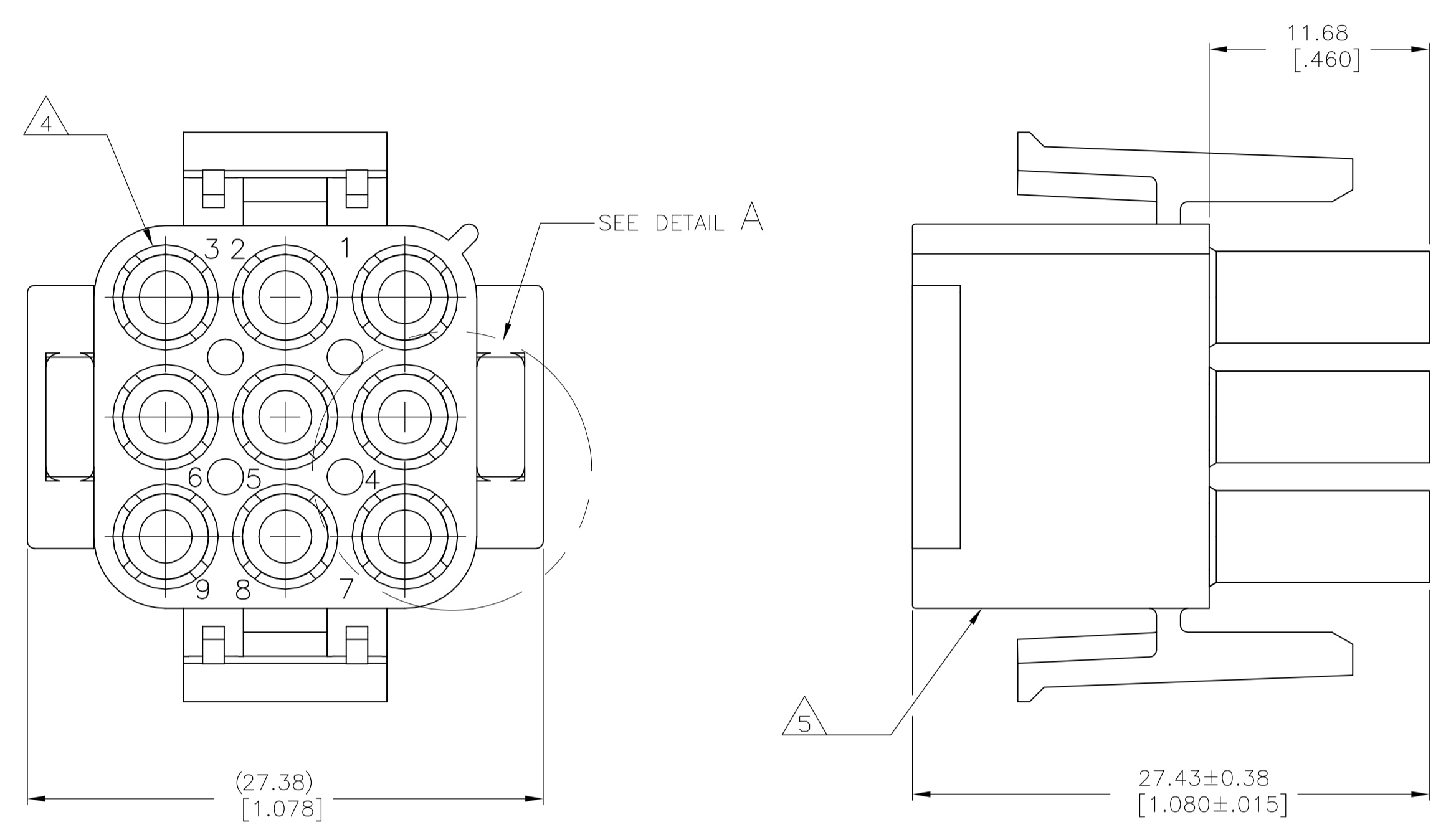


LOC		DIST		REVISIONS			
P	LTR	DESCRIPTION	DATE	DWN	APVD		
AK3		REVISED PER ECO-12-003860	08MAR12	JR	TM		



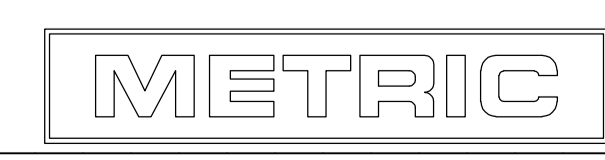
PARTIAL DETAIL A ⁴
OPTIONAL CONSTRUCTIONS

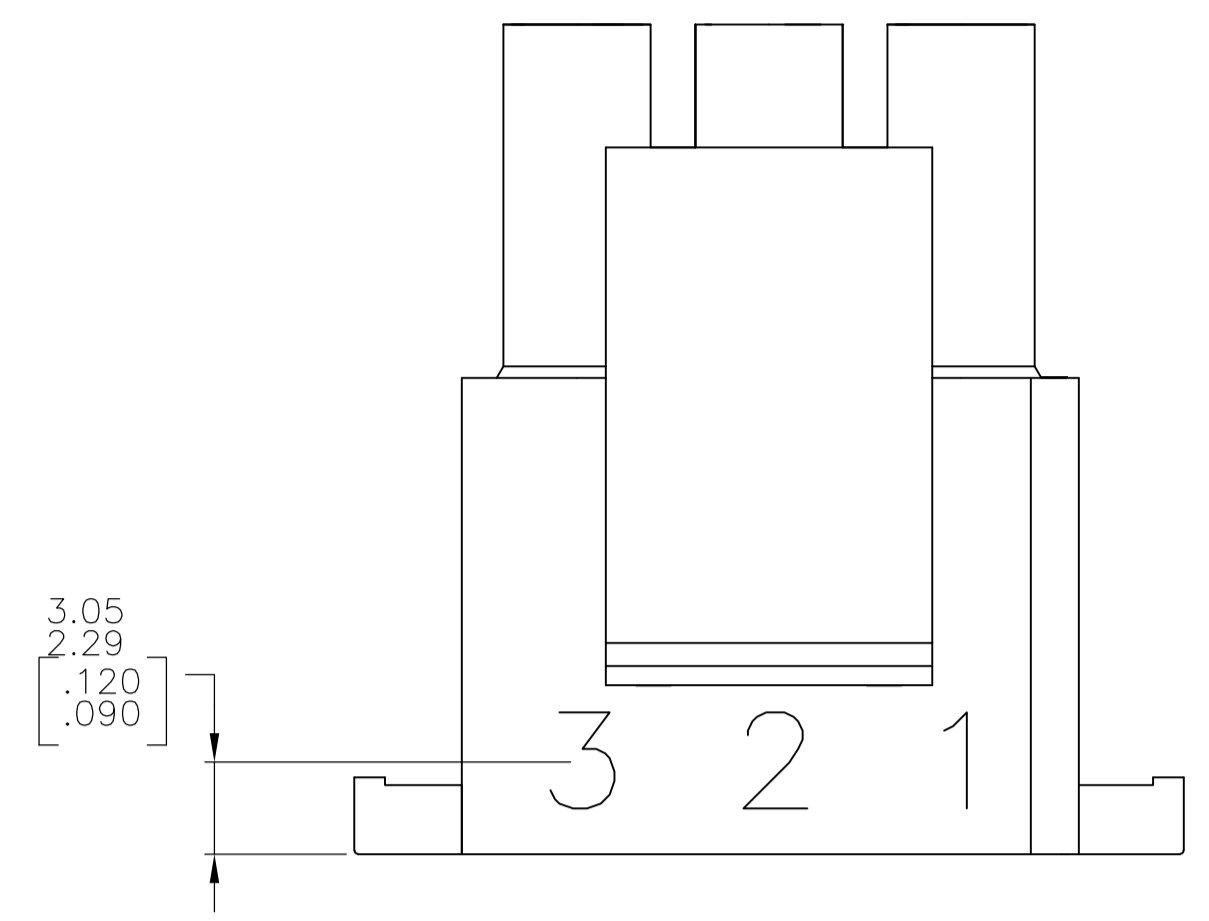
- MATES WITH APPROPRIATE UNIVERSAL MATE-N-LOK™ CAP OR HEADER.
- SMALL NICKS ARE PERMITTED ON THE CIRCUIT TOWERS WHICH COULD INCREASE THE INITIAL HOUSING MATING FORCE BY UP TO 4.4 NEWTONS [1.0 LBS]. NO INDIVIDUAL NICKED TOWER SHALL INCREASE THIS FORCE BY OVER 2.2 NEWTONS [.5 LBS].

- ³ DIMENSION INDICATED IS AS MOLDED. ADDITIONAL GROWTH DUE TO SUBSEQUENT MOISTURE ABSORPTION MAY OCCUR.
- ⁴ FOUR RIBS EQUALLY SPACED, NO SPECIFIC ORIENTATION, OR SIX RIBS EQUALLY SPACED, NO SPECIFIC ORIENTATION, OPTIONAL.
- ⁵ UNDERWRITERS RECOGNIZED COMPONENT LOGO AND CSA CERTIFICATION LOGO TO BE LOCATED ONCE EACH ON SIDE OF HOUSING.
- ⁶ OBSOLETE PARTS: OBSOLETE CIS STREAMLINING PER D.RENAUD/D.SINISI

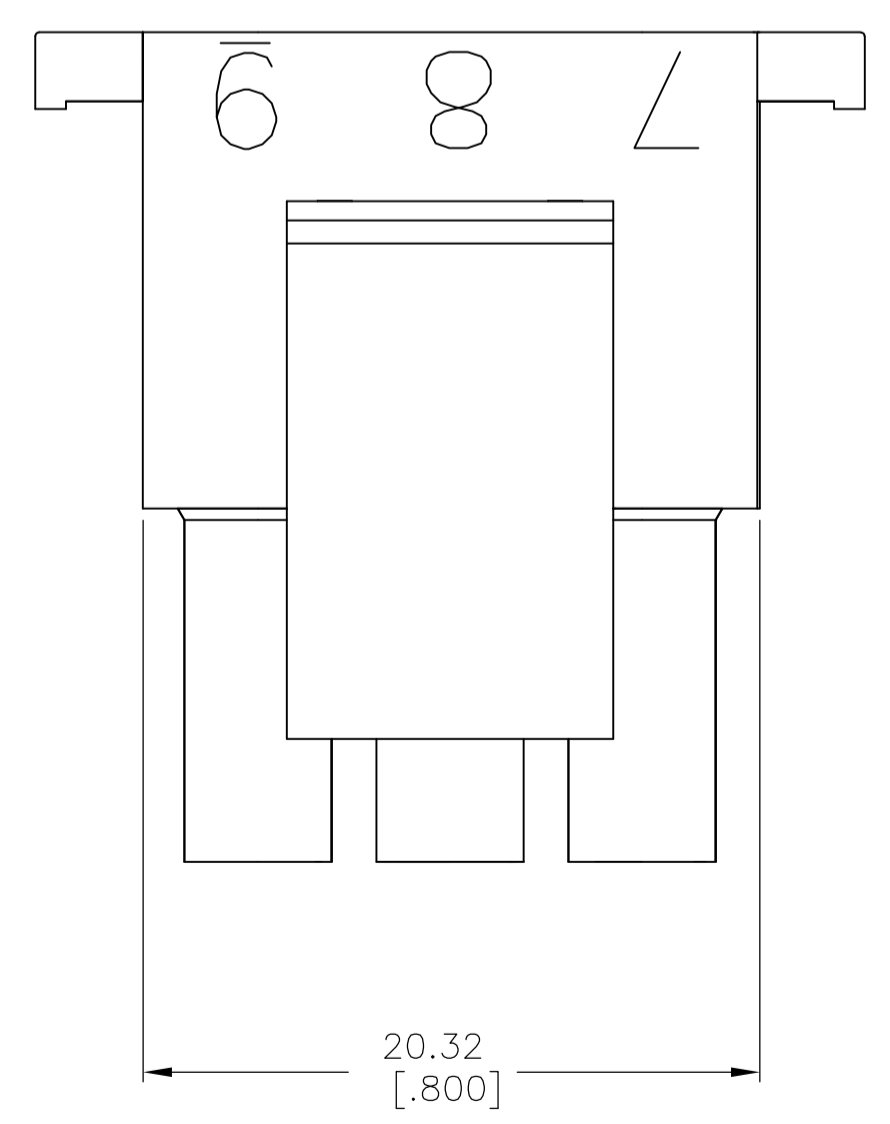
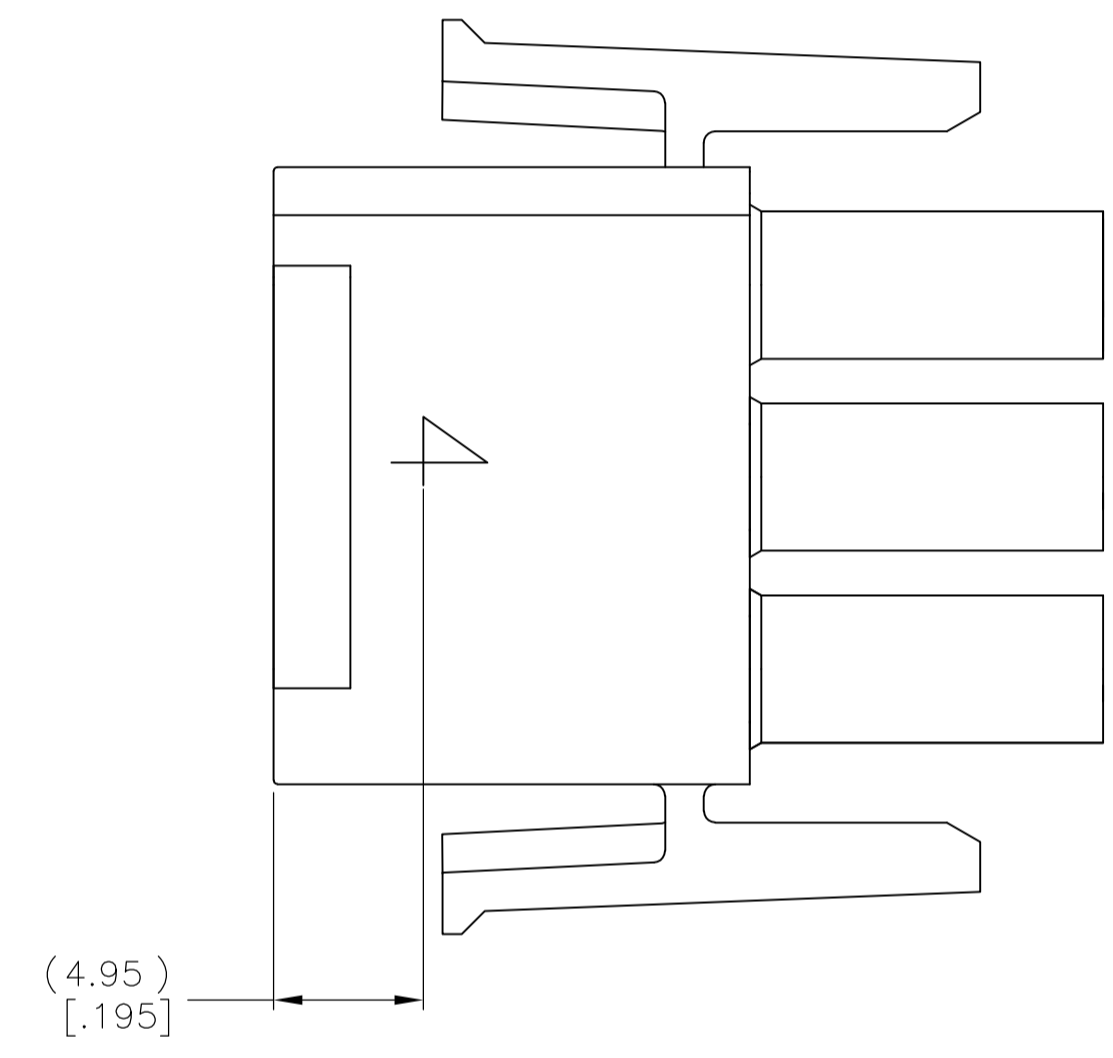
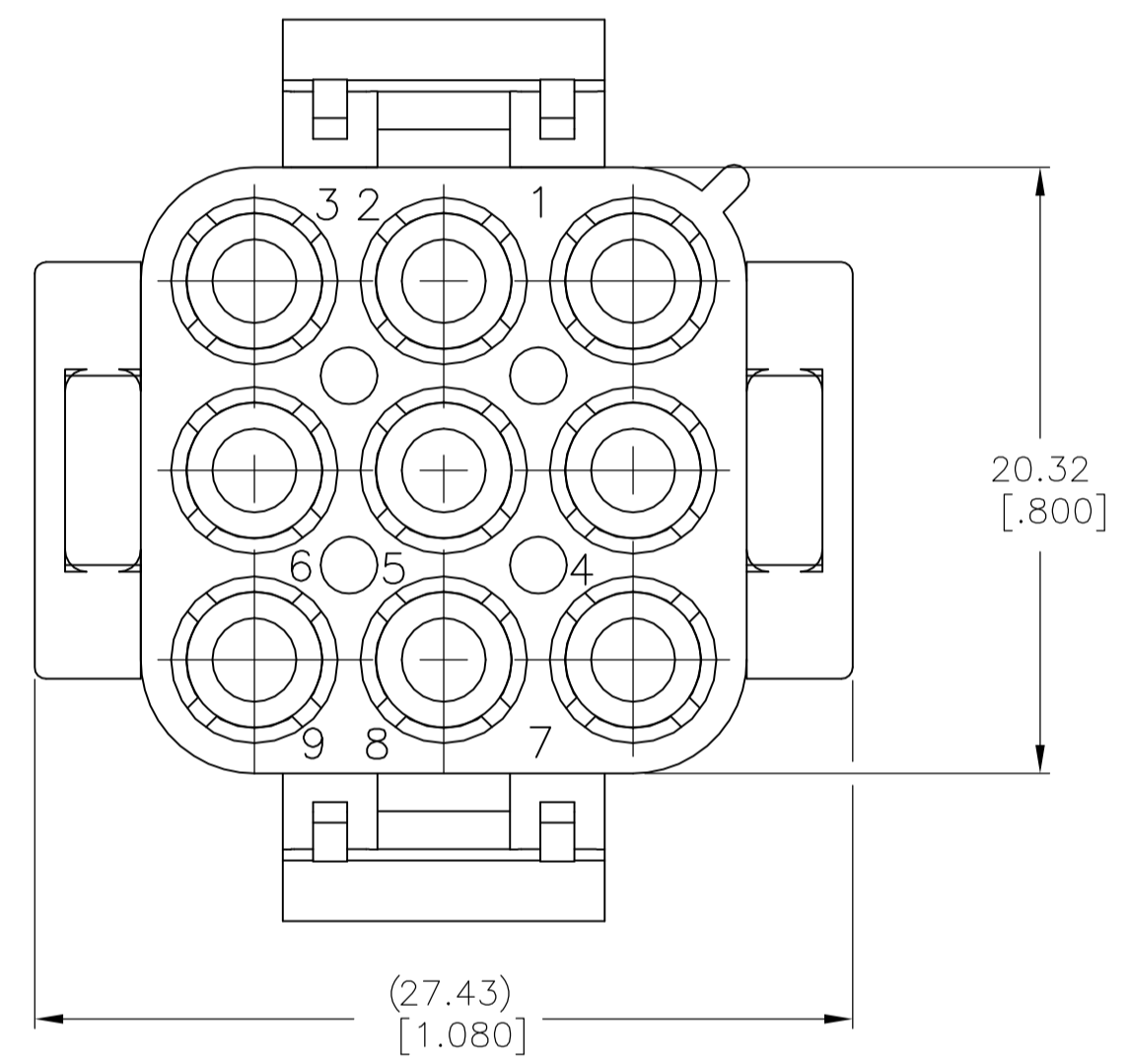
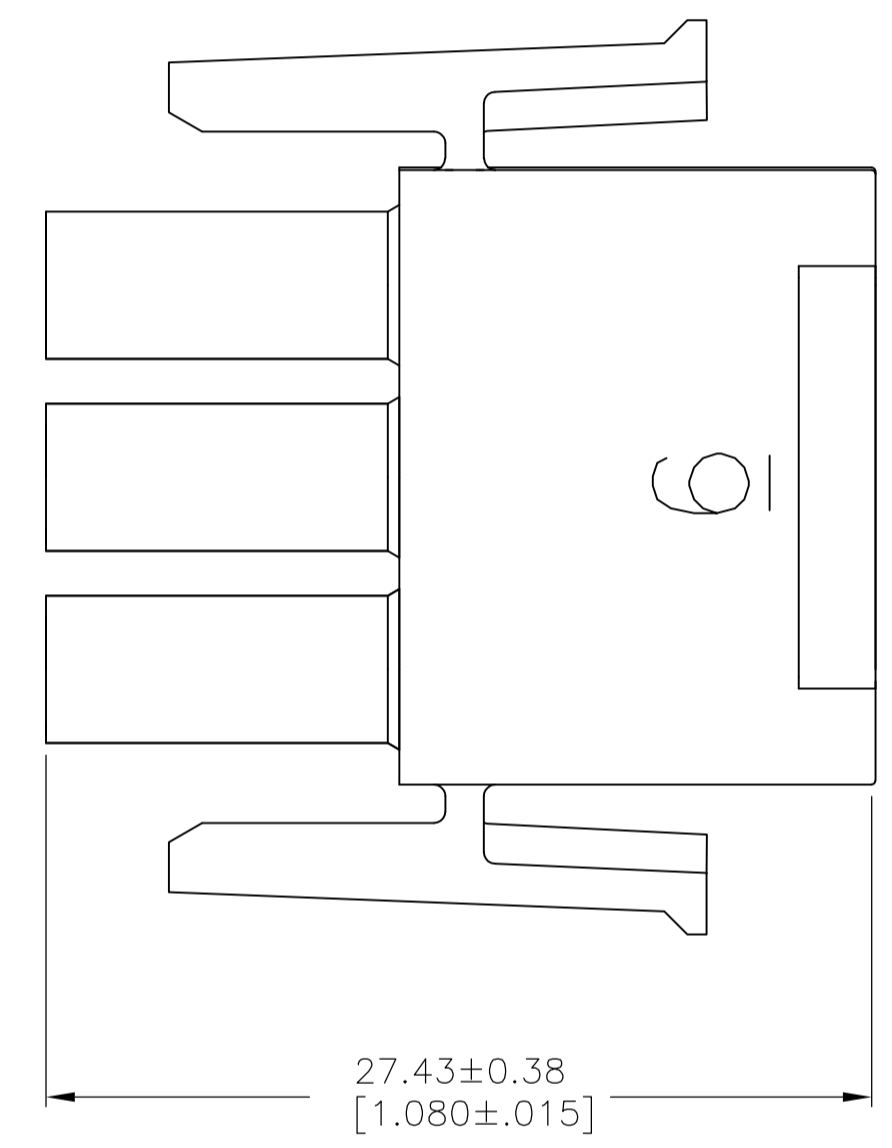
OBsolete	Color	Part No.
⁶ SUPERCEDED BY 1-480706-0	BLACK	1-480706-9
	GRAY	1-480706-8
	BLUE	1-480706-6
	GREEN	1-480706-5
	YELLOW	1-480706-4
	ORANGE	1-480706-3
	RED	1-480706-2
	BROWN	1-480706-1
	NATURAL	1-480706-0
	COLOR	PART NO.

THIS DRAWING IS A CONTROLLED DOCUMENT.		DIN K. WHITAKER 01SEP04		TE Connectivity	
DIMENSIONS: mm [INCHES]		CHK S. RIDGILL 01SEP04		NAME	
TOLERANCES UNLESS OTHERWISE SPECIFIED:		APVD S. RIDGILL 01SEP04		PLUG, 9 CIRCUIT, UNIVERSAL MATE-N-LOK™	
0. PLC ± -	1. PLC ± -	PRODUCT SPEC		SIZE	
2. PLC ± 0.13 [.005]	3. PLC ± -	APPLICATION SPEC		CAGE CODE DRAWING NO	
4. PLC ± -	ANGLES ± 0°30'	WEIGHT		A1 00779 C=480706	
MATERIAL NYLON, UL94V-2	FINISH -	CUSTOMER DRAWING		SCALE 4:1 SHEET 1 OF 2 REV AK3	





1. STAMP NUMBERS 3.18 [.125] HIGH AT WIRE END OF HOUSING (12 POINT DAVID TYPE).
2. CHARACTERS TO BE POSITIONED ON HOUSING TO BE READ FROM WIRE END ONLY.
3. VIOLET, BLACK, BROWN, AND BLUE COLORED BLOCKS TO BE STAMPED WITH WHITE CHARACTERS. ALL OTHER COLORED BLOCKS TO BE STAMPED WITH BLACK CHARACTERS.



NATURAL	2-480706-0
COLOR	PART NUMBER

THIS DRAWING IS A CONTROLLED DOCUMENT.		DIN K. WHITAKER 01SEP2004		NATURE	
DIMENSIONS: mm [INCHES]		CHK S. RIDGILL 01SEP2004		COLOR	
TOLERANCES UNLESS OTHERWISE SPECIFIED:		APVD S. RIDGILL 01SEP2004		NATURE	
0. PLC	± -	NAME		PLUG, 9 CIRCUIT, UNIVERSAL MATE-N-LOK	
1. PLC	± -	PRODUCT SPEC		SIZE	
2. PLC	± 0.13 [.005]	APPLICATION SPEC		CAGE CODE	
3. PLC	± -	WEIGHT		DRAWING NO	
4. PLC	± -	CUSTOMER DRAWING		480706	
ANGLES	± 0.30°	SCALE		SHEET	
MATERIAL	FINISH	SCALE 4:1		SHEET 2 OF 2	
		REV		AK3	

