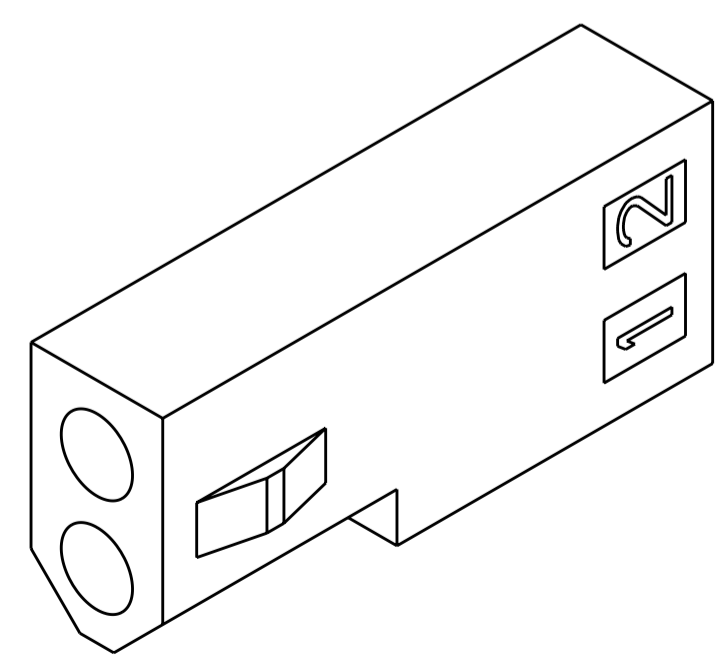
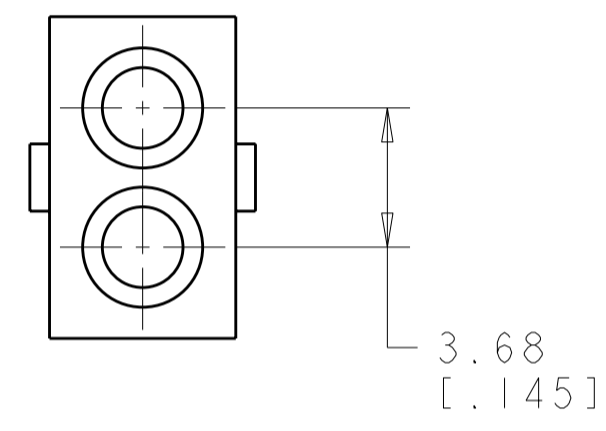
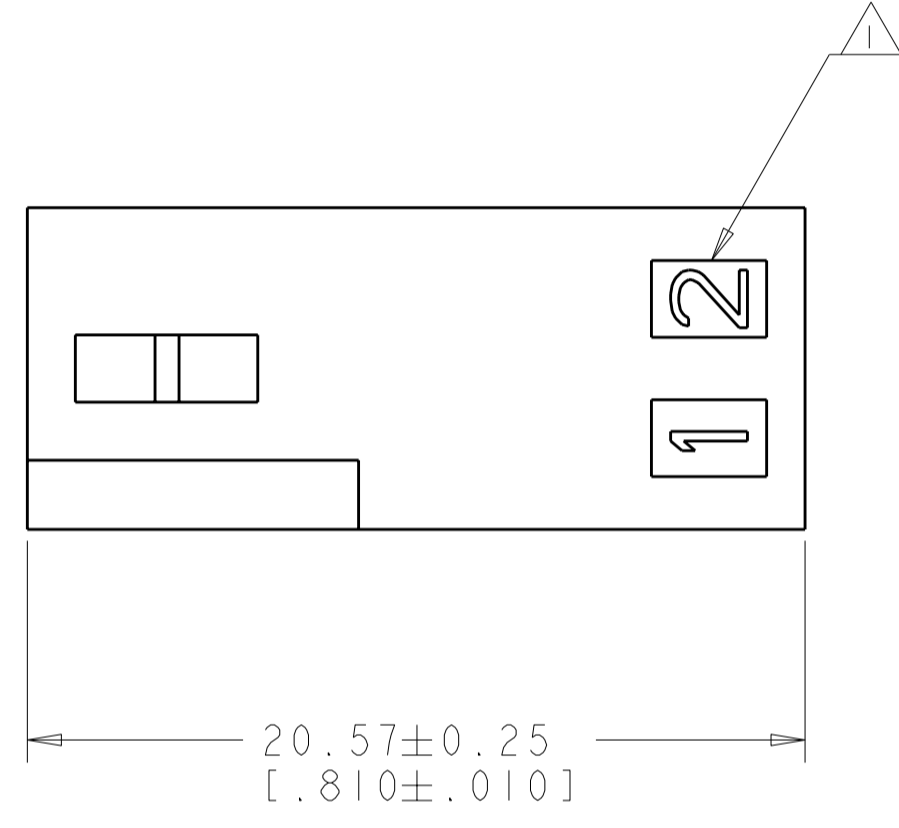
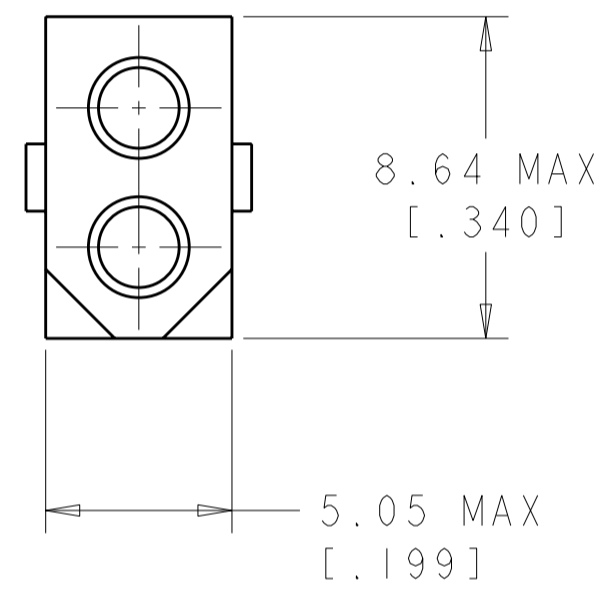


THIS DRAWING IS UNPUBLISHED. RELEASED FOR PUBLICATION 20
 © COPYRIGHT 20 BY - ALL RIGHTS RESERVED.

LOC	DIST	REVISIONS			
P	LTR	DESCRIPTION	DATE	DWN	APVD
CM	00	HI	REVISED PER ECO-11-005027	17MAR2011	RK HMR

△ AMP LOGO AND CAVITY NUMBER LOCATED ON EITHER SURFACE.



0.035 IN ³	BLACK	770342-3
0.035 IN ³	NATURAL	770342-1
VOLUME	COLOR	PART NUMBER

THIS DRAWING IS A CONTROLLED DOCUMENT.		DWN K. WHITAKER 22MAY2007	STE TE Connectivity	
DIMENSIONS: mm [INCHES]		CHK C. CASH 22MAY2007		
TOLERANCES UNLESS OTHERWISE SPECIFIED:		APVD C. CASH 22MAY2007	NAME RECEPTACLE, 2 CIRCUIT, .062 PIN AND SOCKET	
0 PLC ± -	1 PLC ± -	PRODUCT SPEC	SIZE	CAGE CODE
2 PLC ± 0.13 [.005]	3 PLC ± -	APPLICATION SPEC	A2	00779
4 PLC ± -	ANGLES ± -	WEIGHT	DRAWING NO	770342
FINISH			RESTRICTED TO	
MATERIAL NYLON, UL94V-2		CUSTOMER DRAWING	SCALE 5:1	SHEET 1 OF 1