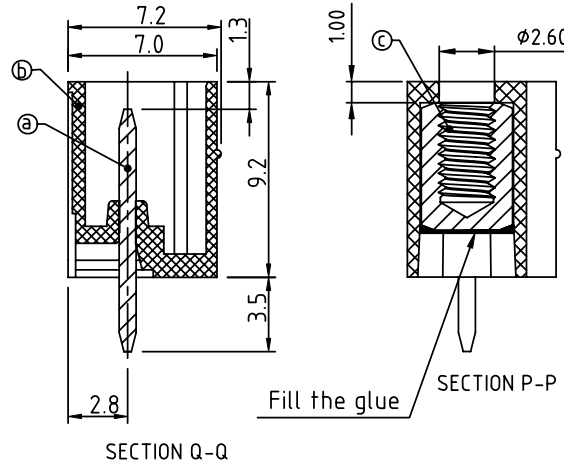
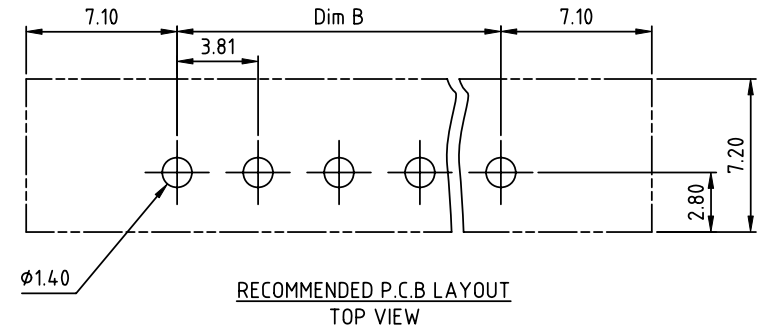
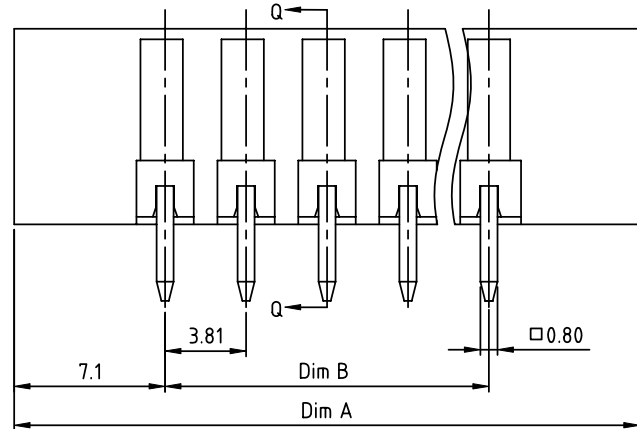
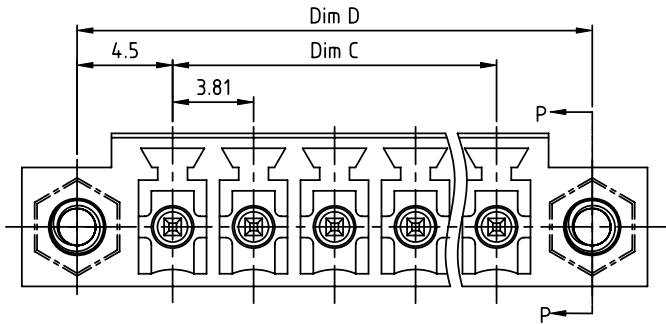


PRODUCT NUMBER	PITCH
OQxx35x000J0G	3.81 mm



Material:

- Item ① Male contact pin: Copper Tin plated
- Item ② Terminal housing: Thermoplastic (UL94V-0)
- Item ③ Flange nut: Brass M2.5

Electrical:

- Voltage rating: 300V/300V
- Current rating: 10A/10.5A
- Withstanding Voltage: 1.6 KV/2.5KV
- Operating temperature: -40°C to +115°C
- Soldering temperature: 260°C±5°C/5 Sec
- Safety Approval:

DIMENSION

Dim A	$(N-1) \times 3.81 + 14.2$
Dim B & C	$(N-1) \times 3.81$
Dim D	$(N-1) \times 3.81 + 9.0$

N= Number of poles

Poles	Tolerance
2p-6p	±0.15
7p-12p	±0.20
13p-16p	±0.25
17p-24p	±0.30

PART NO.: OQ xx 3 5 x 0 00J0 G

- | | | | | |
|--------------|---------------------|------------|---------------------|-----------------|
| No. of poles | 0 Black (RAL9005) | Body Color | 2 Red (RAL3001/D) | RoHS compliant |
| 02 2 poles | 2 Red (RAL3001/D) | | 3 Orange(RAL2011/P) | (lead<4%) |
| 03 3 poles | 3 Orange(RAL2011/P) | | 4 Yellow(RAL1018/A) | In copper Alloy |
| ... | 4 Yellow(RAL1018/A) | | 5 Green(RAL6018/T) | |
| 24 24 poles | 5 Green(RAL6018/T) | | 6 Blue (RAL5015/A) | |
| | 6 Blue (RAL5015/A) | | 8 Grey(RAL7035/D) | |
| | 8 Grey(RAL7035/D) | | 9 White(RAL1102) | |
| | 9 White(RAL1102) | | C Green(RAL6018/U) | |
| | C Green(RAL6018/U) | | | |

mat'l. code		surface ASME Y14.5	tolerance ASME Y14.5	projection 	product family TERMINAL BLOCK
ltr	ecn no	dr	date	tolerances unless otherwise specified	title TERMINAL BLOCK
				angles $X \pm 0.5$	PLUGGABLE SOCKET, WITH FLANGE, VERTICAL
				$X.X \pm 0.3$	sheet 1 of 1 size
				$X.XX \pm 0.1$	OQxx35x000J0G
		dr	HANKE FENG	032714	A4
		enr	HANKE FENG	032714	
		chr	SHI JUN	032714	
		appd	SHI JUN	032714	type CUSTOMER Drawing
sheet index	revision sheet	A	1		