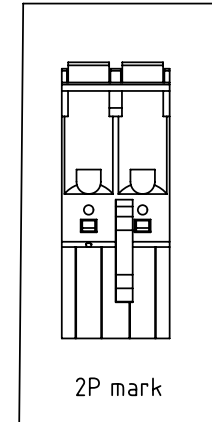
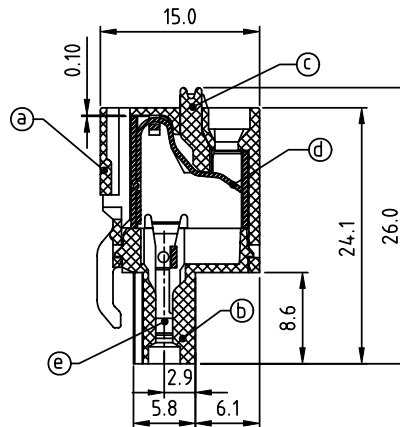
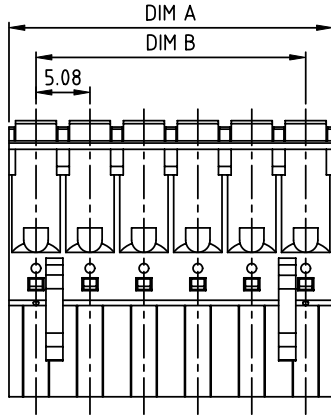


PRODUCT NUMBER	PITCH
HWxx50x100JOG	5.08 mm

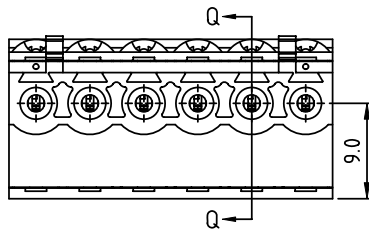


Material:

- Item (a) Top body: Thermoplastic (UL94V-0)
- Item (b) Bottom body: Thermoplastic (UL94V-0)
- Item (c) Terminal lever: Thermoplastic (UL94V-0) Orange (RAL2011/P)
- Item (d) Spring clamp: Stainless Steel
- Item (e) Female contact: PhBz (CuSn) Tin plated

Electrical cULus

- Voltage rating: 300V
- Current rating: 10A
- Solid wire (AWG): 12-26
- Stranded wire (AWG): 12-26
- Wire strip length: 9-10mm
- Withstanding Voltage: 1.6KV
- Operating temperature: -40°C to +115°C
- Safety Approval: cULus



Dimension

DIM A	N x 5.08
DIM B	(N-1) x 5.08

N=Number of poles

POLES	Tolerance
2p-6p	±0.15
7p-12p	±0.20
13p-16p	±0.30
17p-24p	±0.40

PART NO.: HW xx 50 x 1 00J0 G

Solid block	0	Color	RoHS compliant (lead<4%) In copper Alloy
No. of poles	2	Black (RAL9005)	
02	2 poles	Red (RAL3001/D)	
03	3 poles	Orange (RAL2011/P)	
...	...	Yellow (RAL1018/A)	
24	24 poles	Green (RAL6018/T)	
		Blue (RAL5015/A)	
		Grey (RAL7035/D)	
		White (RAL1102)	
		C Green (RAL6018/U)	

mat'l. code		surface ASME Y14.5	tolerance ASME Y14.5	projection	product family TERMINAL BLOCK
ltr	ecn no	dr	date	 MM	title TERMINAL BLOCK SPRING CLAMP, PLUGGABLE PLUG CONTACT ON UP SIDE
tolerances unless otherwise specified					
angles		X.±0.5			dwg no HWxx50x100JOG sheet 1 of 1 size A4
X*1*		X.XX±0.1			
dr	ENGR	EVIN ZHONG	051514		
	enr	EVIN ZHONG	051514	type CUSTOMER Drawing	
	chr	HANKE FENG	051514		
	appd	SHI JUN	051514		
sheet index	revision sheet	A	1		