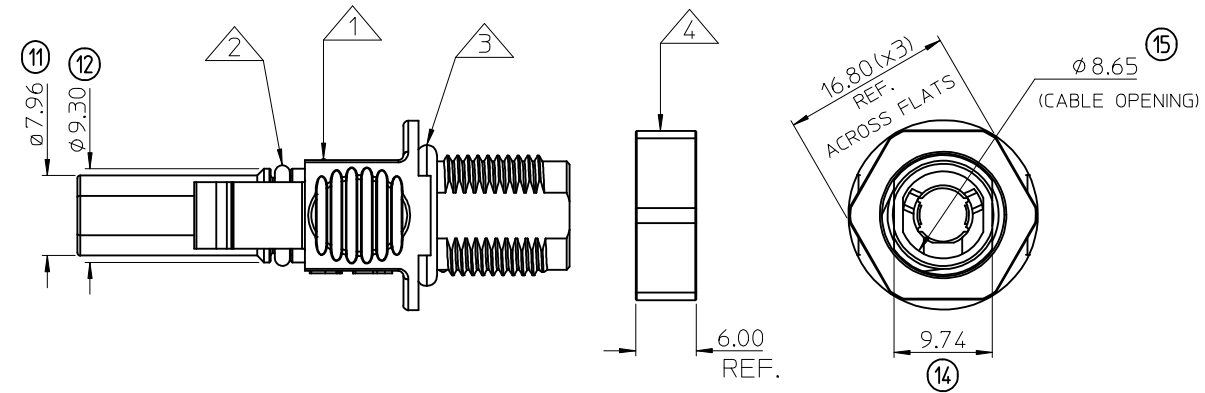


CONTACT USED: SEE SD-93303-001



NOTES:

1. MATERIALS: SEE CHART
2. FINISHES: SEE CHART
3. PRODUCT SPECIFICATION: PS-93301-001
4. PACKAGING SPECIFICATION: PK-93301-001
5. MATES WITH: 130244-1202/1204
6. ASSEMBLY IS ROHS COMPLIANT
7. ASSEMBLY IS DELIVERED WITH PANEL NUT LOOSE IN BAG.
8. FOR DUSTCAPS PLEASE REFER TO SD-93301-009

LAST INSPECTION No: 17
INSPECTION No'S REMOVED: 5 9 13

ITEM QTY	DESCRIPTION	MATERIAL	FINISH
4 1	PANEL NUT	POLYCARBONATE(PC)	BLACK
3 1	O-RING PANEL SEAL	SILICONE	DARK GREY
2 1	O-RING SEAL	SILICONE	DARK GREY
1 1	SOCKET HOUSING	POLYCARBONATE(PC)	BLACK

F.P.I.R. MODS
EC NO: IPG2012-0274
2011/09/20
DRW:DBYRNES
CHKD:SMCGREEVY 2012/11/29
APPR:STURIFFIN 2013/03/05

QUALITY SYMBOLS
▽=0
◁=0

GENERAL TOLERANCES (UNLESS SPECIFIED)

	mm	INCH
4 PLACES	± ---	± ---
3 PLACES	± ---	± ---
2 PLACES	± 0.15	± ---
1 PLACE	± 0.25	± ---

ANGULAR ± 2 °

DRAFT WHERE APPLICABLE
MUST REMAIN
WITHIN DIMENSIONS

DIMENSION STYLE
MM ONLY

DRAWN BY: DBYRNES
DATE: 2011/06/22

CHECKED BY: SMCGREEVY
DATE: 2011/08/16

APPROVED BY: EFOLAN
DATE: 2011/08/26

MATERIAL NO.
933010101

SIZE
A3

SCALE
2:1

DESIGN UNITS
METRIC

THIRD ANGLE PROJECTION

TITLE
SOLARSPEC PANEL MOUNT DC
SOCKET ASSY CONNECTOR
14 - 10 AWG

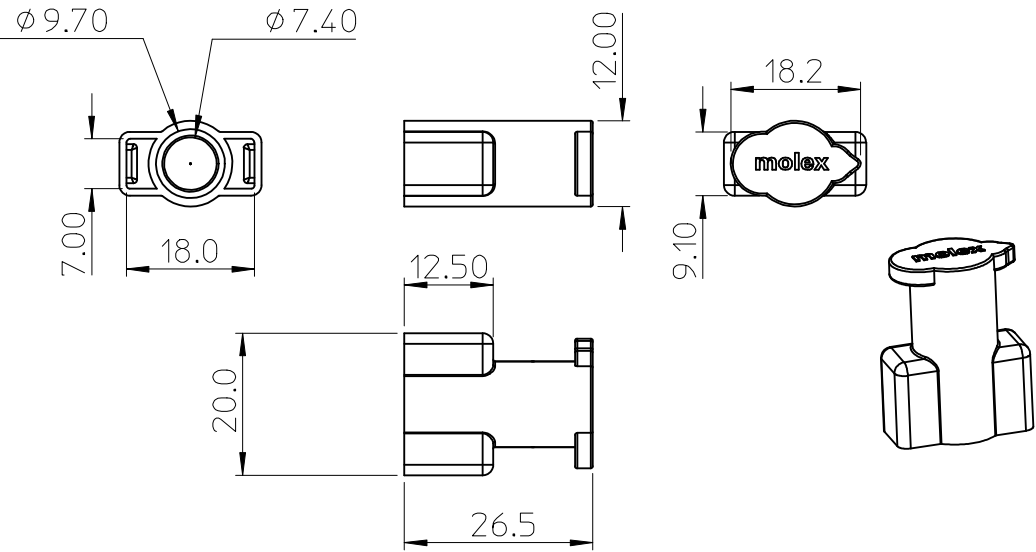
MOLEX INCORPORATED

DOCUMENT NO.
SD-93301-002

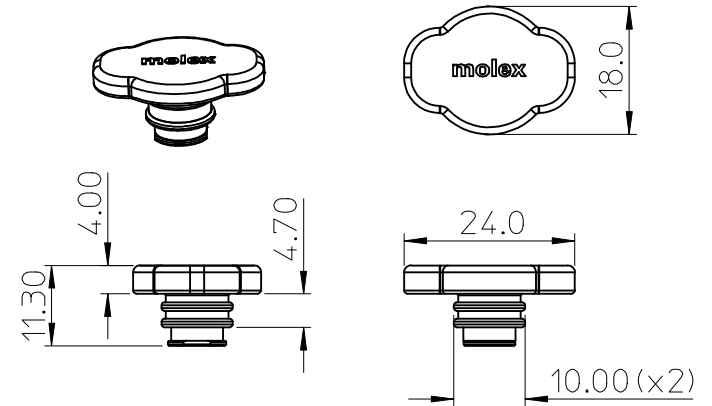
SHEET NO.
1 OF 1

THIS DRAWING CONTAINS INFORMATION THAT IS PROPRIETARY TO MOLEX INCORPORATED AND SHOULD NOT BE USED WITHOUT WRITTEN PERMISSION

93301-9001



93301-9002



NOTE'S

1. MATERIAL - SILICONE NE-7150
2. PARTS MUST BE RoHS COMPLIANT.
3. SUITABLE FOR USE WITH MOLEX SERIES 93301 & 130244 SOLARSPEC CONNECTORS.
4. PACKAGING SPECIFICATION: SEE CHART.

PART No.	DESCRIPTION	PKG SPEC
93301-9001	FEMALE SOCKET DUST CAP.	PK-93301-011
93301-9002	MALE PIN DUSTCAP.	PK-93301-012

ORIGINAL RELEASE EC NO: IPG2013-0910 DRWN:DBYRNES 2012/09/18 CHKD:CKNOWLES 2012/12/14 APPR:STGRIFFIN 2012/12/14	DESCRIPTION A	QUALITY SYMBOLS	GENERAL TOLERANCES (UNLESS SPECIFIED)		DIMENSION STYLE MM ONLY		SCALE 1:1	DESIGN UNITS METRIC	THIRD ANGLE PROJECTION
		$\nabla=0$ $\sphericalangle=0$	4 PLACES ± --- ± --- 3 PLACES ± --- ± --- 2 PLACES ± 0.25 ± --- 1 PLACE ± 0.38 ± --- 0 PLACE ± --- ± ---	mm INCH DRAWN BY DATE DBYRNES 2012/09/18 CHECKED BY DATE CKNOWLES 2012/12/14 APPROVED BY DATE STGRIFFIN 2012/12/14	TITLE	93301 SERIES SOLARSPEC DUSTCAPS			
		ANGULAR ± 2 °	MATERIAL NO.	DOCUMENT NO.		SHEET NO.			
		DRAFT WHERE APPLICABLE MUST REMAIN WITHIN DIMENSIONS	SEE CHART		SD-93301-009		1 OF 1		
		THIS DRAWING CONTAINS INFORMATION THAT IS PROPRIETARY TO MOLEX INCORPORATED AND SHOULD NOT BE USED WITHOUT WRITTEN PERMISSION							