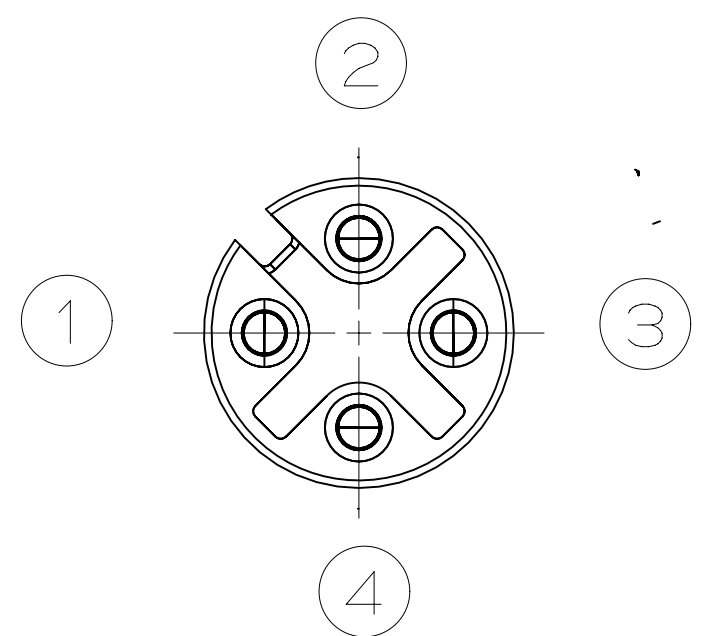
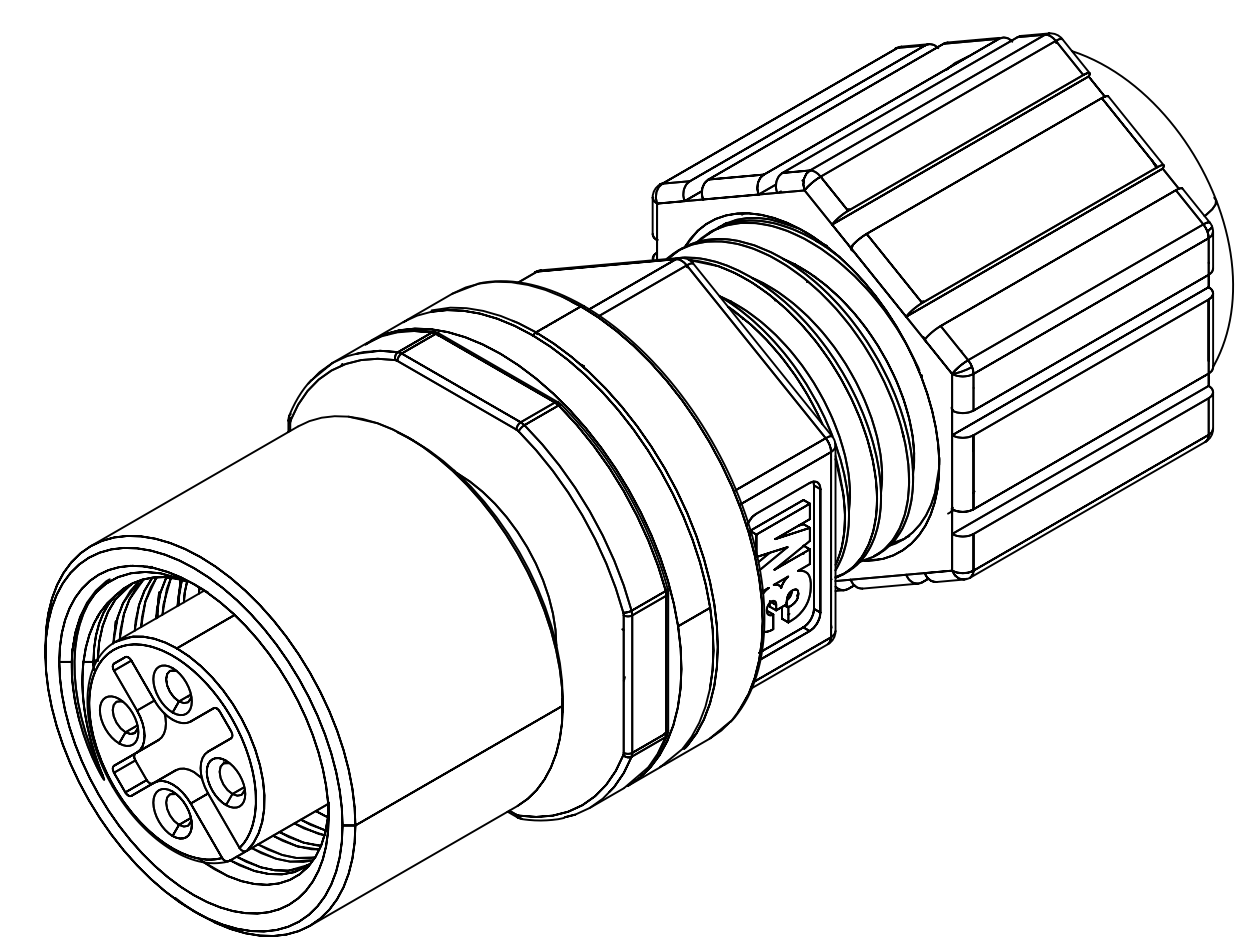
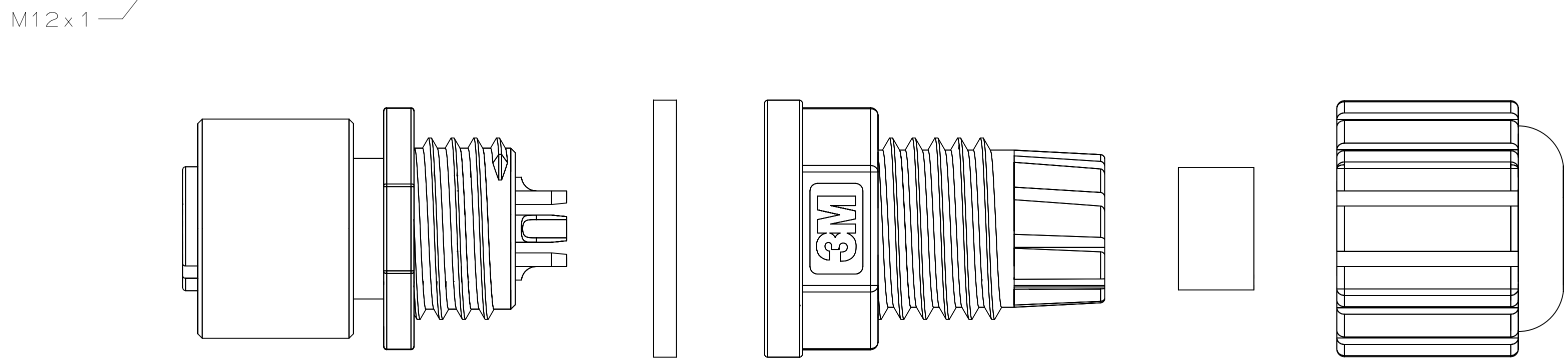
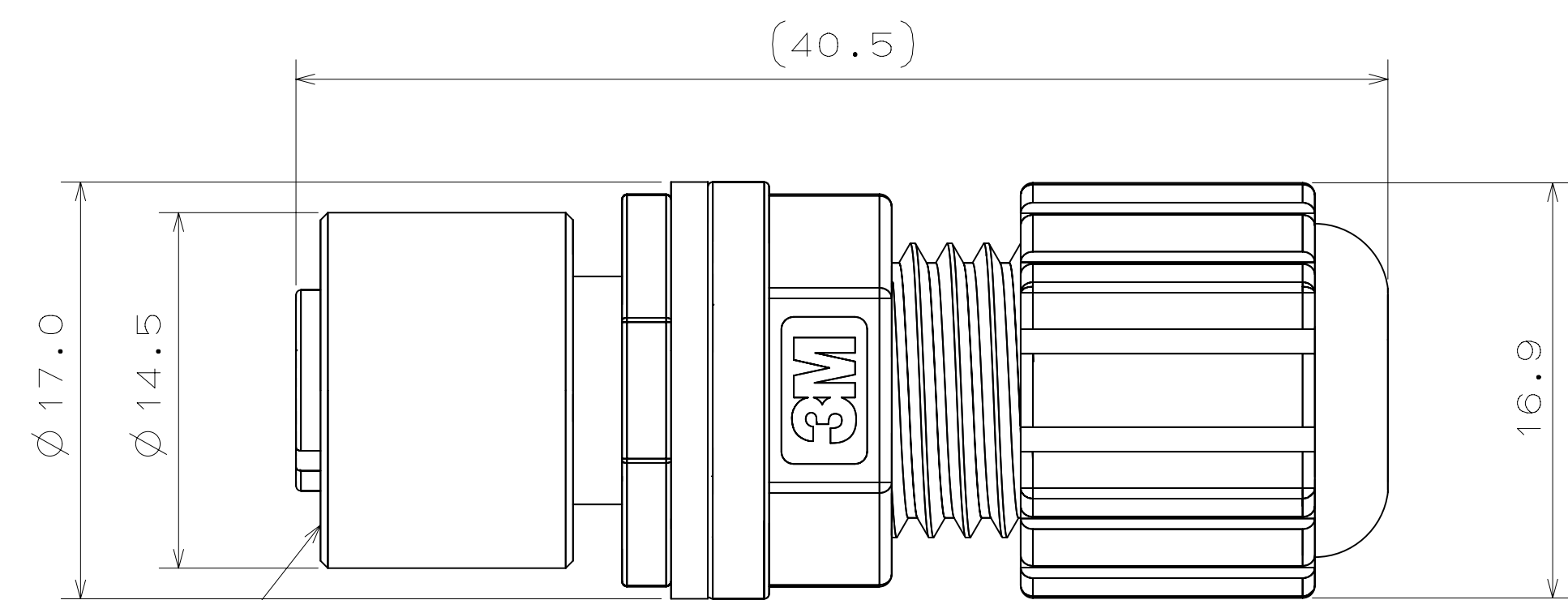


# 3M™ INDUSTRIAL M12 WM CONNECTOR

FOR 4POS, A-CODE, FEMALE, SOLDER TYPE



Pin Assignment

**PERFORMANCE**

1) MECHANICAL  
POLARIZING METHOD: 35N MIN.  
  
CONTACT INSERTION FORCE: 10N/pin MAX.  
CONTACT WITHDRAWL FORCE: 15N/pin MAX.  
  
WATERPROOF: IP68 (IN WATER 1mm DEPTH, 24H)

2) ELECTRICAL  
CURRENT RATING: 4.0A  
  
VOLTAGE RATING: 250VDC  
  
WITHSTANDING VOLTAGE: 1000VACrms  
  
INSULATION RESISTANCE:  $1 \times 10^9$  OHMS at 500VDC  
  
CONTACT RESISTANCE:  
10 MILLI OHM AT INITIAL CONDITION  
DELTA R 15 MILLI OHM MAX. AFTER  
EVALUATION TEST BASED ON 78-5102-0151-6

3) ENVIRONMENTAL  
TEMPERATURE RATING: -25°C TO 85°C

NOTE  
FOR LOW TEMPERATURE LIMIT:  
EXCLUDING CABLE PERFORMANCE NO DEW CONDITION  
FOR HIGH TEMPERATURE LIMIT:  
INCLUDING TEMPERATURE RASING BY CURRENT

NOTES			
1	MATERIAL:	BODY: THERMOPLASTIC, UL 94V0 COVER: THERMOPLASTIC, UL 94V0 GLAND NUT: THERMOPLASTIC, UL 94V0 CONTACT: COPPER ALLOY	
2	PLATING	CONTACT AREA: 0.2µm GOLD MIN.	
3	MATED WITH INDUSTRIAL M12 MALE CONNECTOR		
4	COMPATIBLE CABLE:	1) WIRE AWG 20 STRANDED AWG 24 STRANDED 2) CABLE OUTER DIAMETER 4.0 to 6.5mm	
5	RoHS COMPLIANT.	SEE THE REGULATORY INFORMATION APPENDIX (RIA) IN THE "RoHS COMPLIANCE" SECTION OF WWW.3MCONNECTORS.COM FOR COMPLIANCE INFORMATION (RIA E1 & C1 APPLY).	
6	FOR PRODUCT SPECIFICATIONS AND WARRANTY INFORMATION	SEE 3M 78-5102-0151-6	
7	IN THE EVENT OF CONFLICT BETWEEN THIS DATA AND THAT CONTAINED IN THE PRODUCT SPECIFICATION,	THE PRODUCT SPECIFICATION TAKES PRECEDENT.	

## ORDERING INFORMATION M12 WM CONNECTOR

**3N3 04-A000-S08 BF**

PRODUCTION SERIES  
3N3: INDUSTRIAL M12 WM FEMALE CONNECTOR

PLATING SUFFIX  
BF: CONTACT AREA 0.2µm GOLD

CONTACT QUANTITY  
04: 4 PIN

IP CLASS  
8: IP68

CODE  
A: A CODE

WIRING METHOD  
S: SOLDER TYPE

3M™ ELECTRONIC SOLUTIONS DIVISION  
INTERCONNECT SOLUTIONS  
VISIT <http://www.3mconnectors.com>

3M IS A TRADEMARK OF 3M COMPANY.  
FOR TECHNICAL, SALES OR ORDERING INFORMATION  
CALL YOUR LOCAL SALES REPRESENTATIVE

DESIGN REFERENCE	NEXT ASSEMBLY	REV	ECO	ISSUE DATE AND DESCRIPTION	DRFT	CHKD
				SEP 06, 2012 PRODUCTION RELEASE	T.O	H.K
DIVISION: Interconnect Solutions SCALE: DO NOT SCALE DRAWING TOLERANCES EXCEPT AS NOTED INCHES: .00 ±, .000 ±, .0000 ± MILLIMETERS: 0 ±, .0 ±, .13 ±, .000 ± INTERPRET PER ASME Y14.5 - 1994 MAX SURFACE ROUGHNESS: 0.8 µm SURFACES: MARKED ONLY		DIVISION CODE: ISD DATE: SEP 06, 2012 APPV: H.KOSUGI DATE: SEP 06, 2012		© 3M COPYRIGHT 2012 This document and the information it contains are 3M property and may not be reproduced or further distributed without 3M permission, or used or disclosed other than for 3M authorized purposes. All rights reserved.		
TITLE: INDUSTRIAL M12 WIRE MOUNT, FOR A-CODE, FEMALE, SOLDER TYPE		CAGE NUMBER	SIZE	DRAWING NO.	REV.	
		D		78-5100-2560-0	A	
		MODEL	DET: 1S1S YES <input type="checkbox"/> NO <input type="checkbox"/> SHT 1 OF 1			