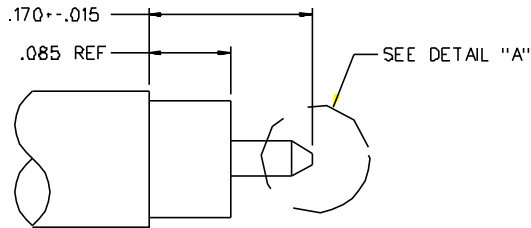
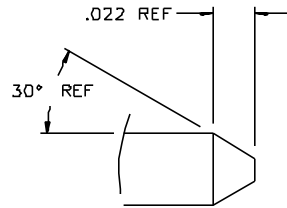
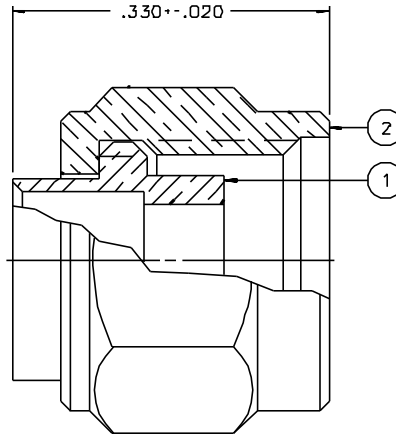


PART NUMBER	ITEM ① BODY	ITEM ② COUPLING NUT
142-0694-021	BRASS GOLD PL .00001 MIN OVER NICKEL PL .00005 MIN OVER COPPER PL .00005 MIN	BRASS GOLD PL .00001 MIN OVER NICKEL PL .00005 MIN OVER COPPER PL .00005 MIN
142-0694-026	BRASS NICKEL PL .0001 MIN OVER COPPER PL .00005 MIN	BRASS NICKEL PL .0001 MIN OVER COPPER PL .00005 MIN



CABLE STRIP DIMENSIONS



DETAIL "A"

20:1

NOTES:

1. SPECIFICATIONS:

IMPEDANCE: 50 OHMS
 FREQUENCY RANGE: 0-18.0 GHZ
 VSWR: 1.035-.05F MAX (F IN GHZ)
 WORKING VOLTAGE: 335 VRMS MAX AT SEA LEVEL
 DIELECTRIC WITHSTANDING VOLTAGE: NOT APPLICABLE
 INSULATION RESISTANCE: NOT APPLICABLE
 CONTACT RESISTANCE:
 CENTER CONTACT - INITIAL NOT APPLICABLE, AFTER ENVIRONMENTAL NOT APPLICABLE
 OUTER CONDUCTOR - INITIAL 2.0 MILLIOHM MAX AFTER ENVIRONMENTAL NOT APPLICABLE
 BODY TO CABLE - 0.5 MILLIOHM MAX
 CORONA LEVEL: 250 VOLTS MIN AT 70,000 FEET
 INSERTION LOSS: .03V/F MAX (F IN GHZ) AT 15.5 TO 18 GHZ
 RF LEAKAGE: -60 DB MIN AT 2 TO 3 GHZ
 RF HIGH POTENTIAL WITHSTANDING VOLTAGE: 670 VRMS MIN AT 5 TO 7.5 MHZ

MECHANICAL:

ENGAGE/DISENGAGE TORQUE: 2 INCH-POUNDS MAX
 MATING TORQUE: 7-10 INCH-POUNDS
 COUPLING PROOF TORQUE: 15 INCH-POUNDS MIN
 COUPLING NUT RETENTION: 6D LBS MIN
 CONTACT RETENTION: NOT APPLICABLE
 CABLE ACCEPTABILITY: RG 402 DIA .141 SEMIRIGID
 CABLE HEX CRIMP SIZE: NOT APPLICABLE
 CABLE RETENTION: 6D LBS MIN AXIAL FORCE
 55 INCH-OUNCE MIN TORQUE
 DURABILITY: 100 CYCLES MIN

ENVIRONMENTAL:

(MEETS OR EXCEEDS THE APPLICABLE PARAGRAPH OF MIL-C-39012)
 THERMAL SHOCK: MIL-STD-202, METHOD 107, CONDITION B, EXCEPT 115 DEG C HIGH TEMP
 OPERATING TEMPERATURE: -65 DEG C TO 165 DEG C
 CORROSION: MIL-STD-202, METHOD 101, CONDITION B
 SHOCK: MIL-STD-202, METHOD 213, CONDITION I
 VIBRATION: MIL-STD-202, METHOD 204, CONDITION D
 MOISTURE RESISTANCE: MIL-STD-202, METHOD 106

DRAWING NO.	
C - 142-0694-021/030	
0	REVISIONS
ENGINEERING RELEASE	
01	11-22-88 [Signature] 12-1-88 ECO 23721
VERSION UPDATE	
02	2-27-89 [Signature] 3-2-89 ECO 23876
CHANGED: 335 VRMS WAS 500 VRMS 250 VOLTS WAS 375 VOLTS, 15.5 TO -90 DB, 670 VRMS WAS 1000 VRMS, 100 CYCLES WAS 500 CYCLES ADDED: EXCEPT 115° C HIGH TEMP DELETED: .221--.010	
03	11-18-90 [Signature] 11-26-90 ECO 24976

CUSTOMER DRAWING

THIS DRAWING TO BE INTERPRETED PER ANSI Y 14.5M - 1982

"μSTATION"

COMPANY CONFIDENTIAL

TOLERANCE UNLESS OTHERWISE SPECIFIED		DRAWN BY EJ	DATE 9-14-88	 <small>Crinch Connectivity Solutions 299 Johnson Ave. Ste. 100 Worcester, MA 01609 1-800-247-8256</small>
DECIMALS .XX	mm	CHECKED BY	DATE	
.XXX		APPROVED BY TAK	DATE 11-28-88	TITLE PLUG ASSEMBLY, STRAIGHT CABLED RETRACTABLE NUT SMA, RG 402
MATL		APPROVED BY RJB	DATE 11-28-88	CODE NO.
FINISH		RELEASE DATE	12-1-88	DRAWING NO. C - 142-0694-021/030
			SCALE 10:1	U/N INCH SHEET 2 OF 2