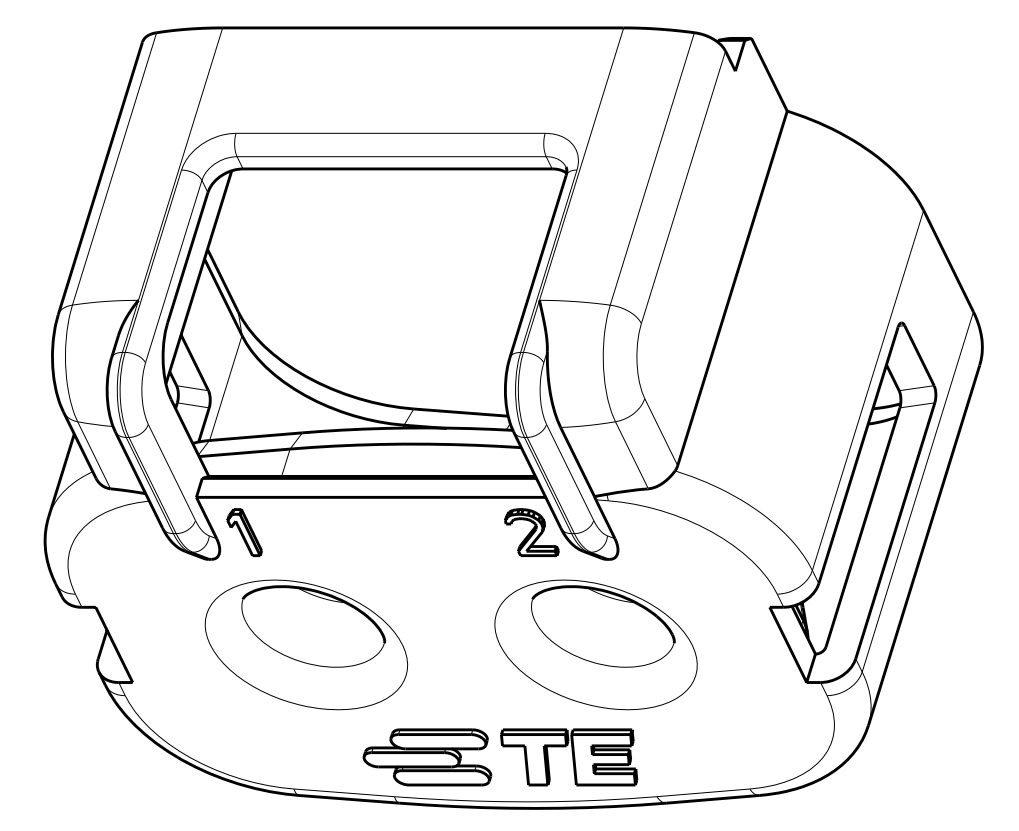
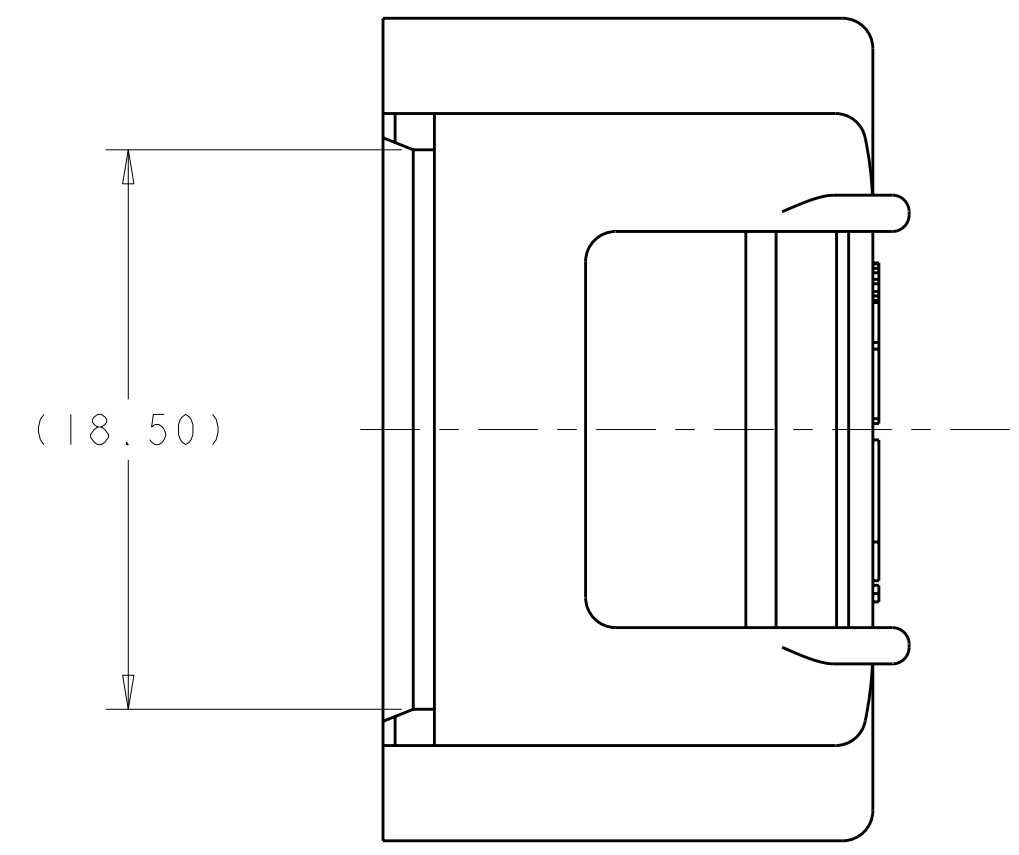
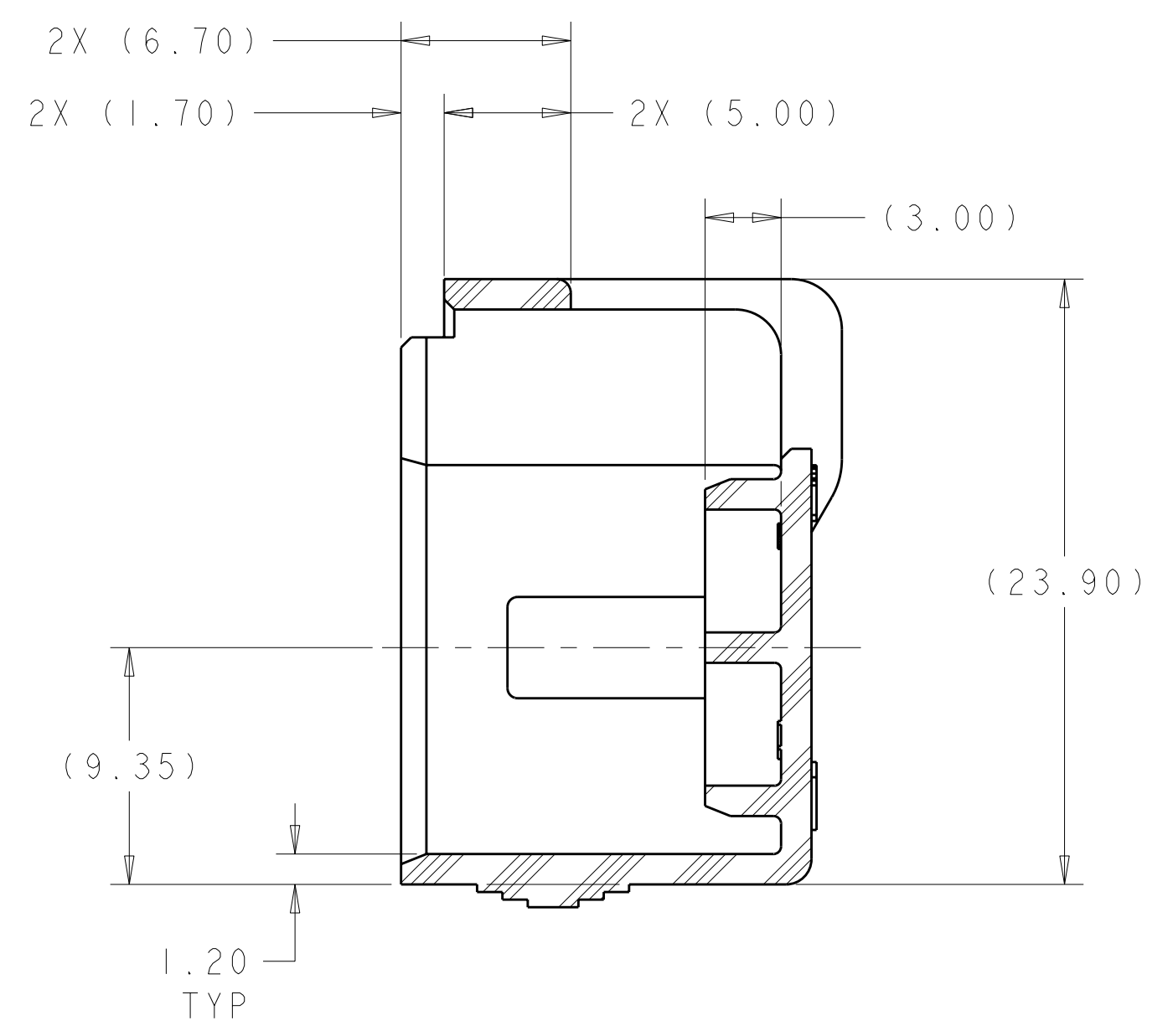
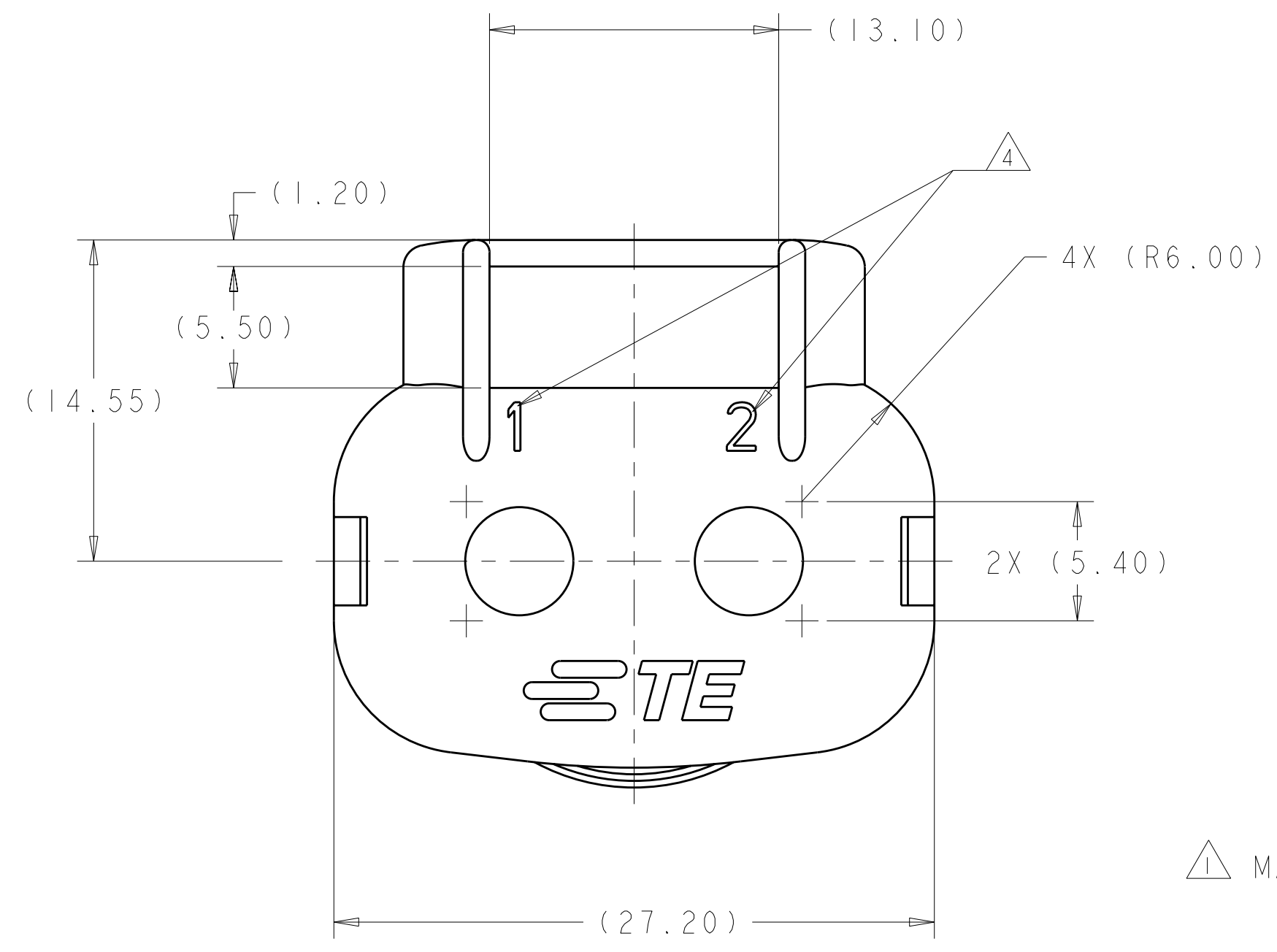
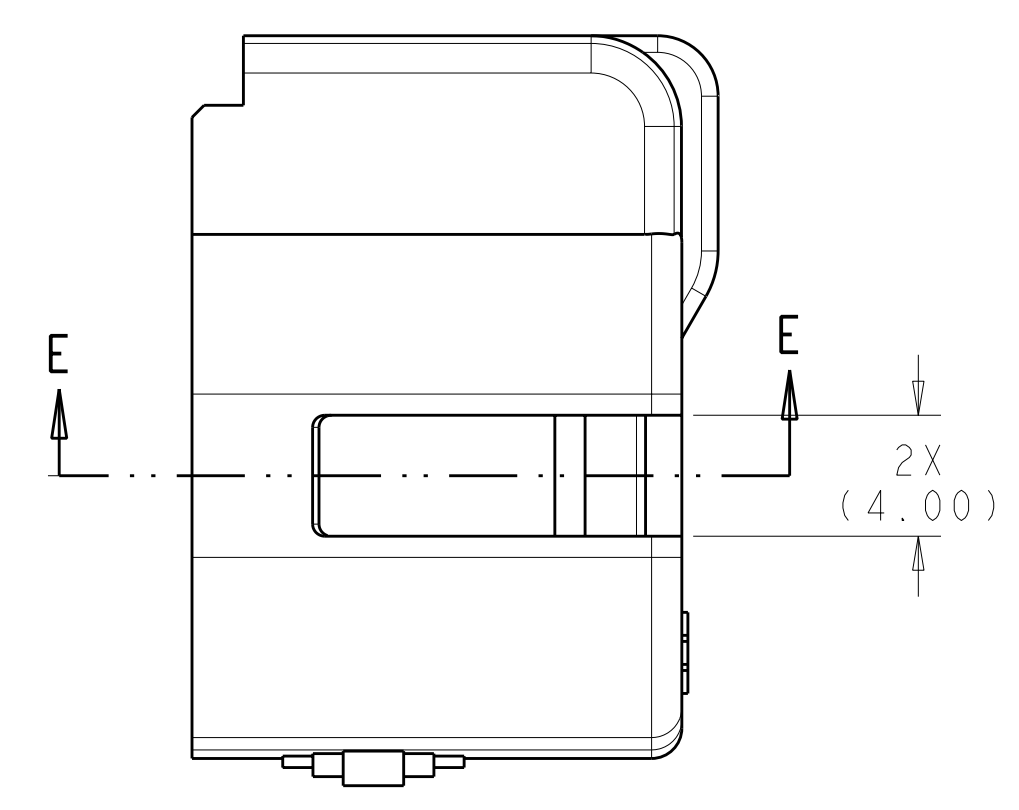
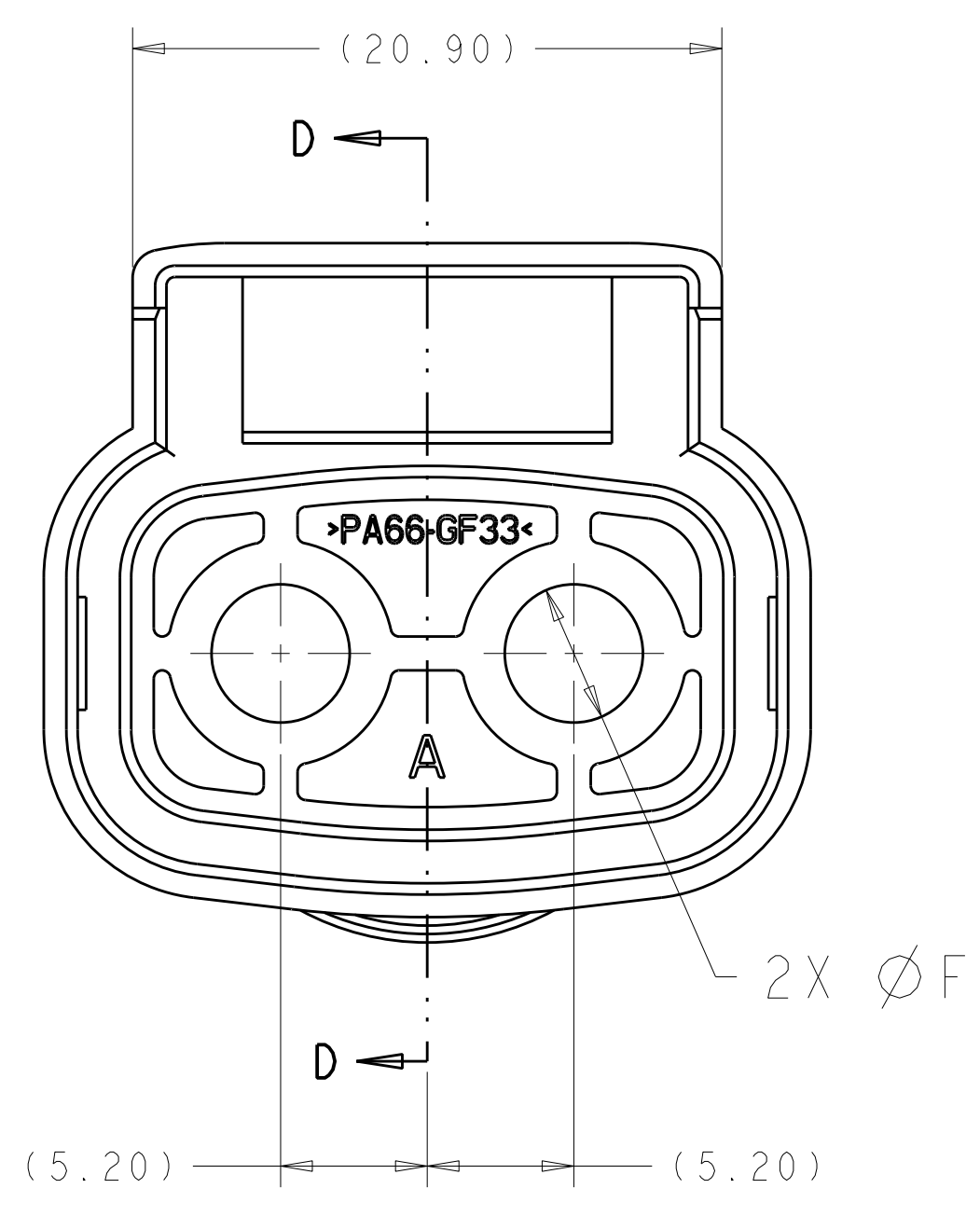


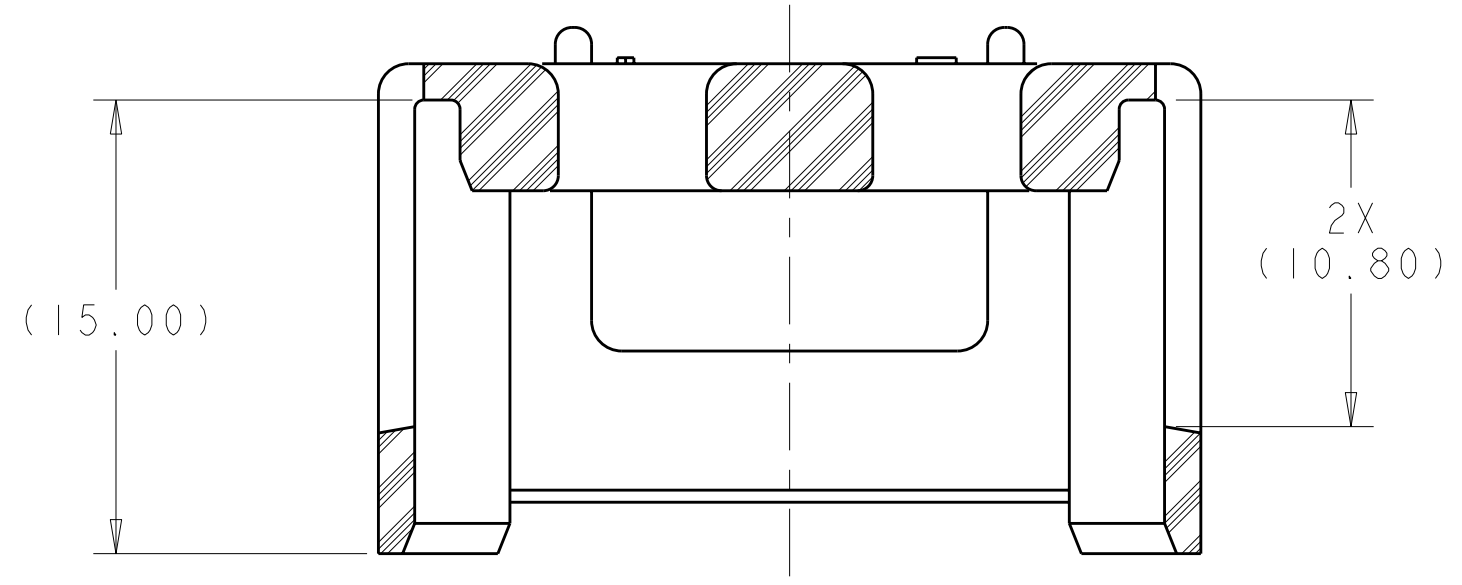
LOC	DIST	REVISIONS			
P	LTB	DESCRIPTION	DATE	DWN	APVD
A		ECO-12-010443	12JUN2012	DS	AT



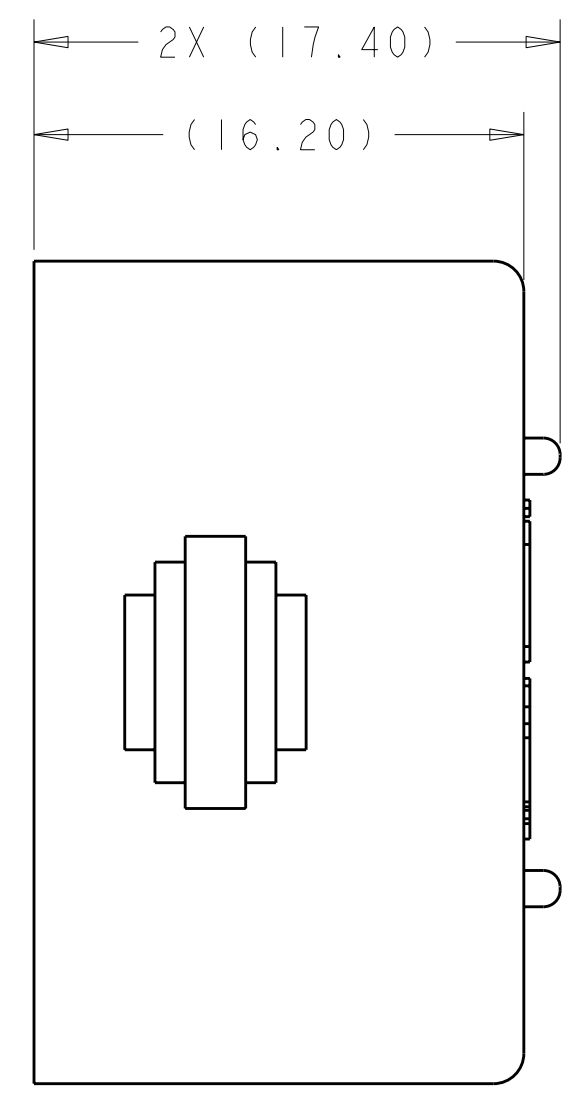
SECTION D-D
REMOVED



- △ MATERIAL :
TYPE : PA66 33%GF
COLOR : SEE TABLE
- 2. FEATURES DENOTED BY REFERENCE DIMENSIONS
MUST BE INSPECTED FOR PRESENCE
- 3. PART MUST BE FREE OF EXCESSIVE FLASH, MIS-MATCH,
SINK MARKS, OR OTHER VISUAL IMPERFECTIONS THAT
MAY AFFECT PRODUCT FIT FORM OR FUNCTION
- △ CIRCUIT ID



SECTION E-E
REMOVED, ROTATED 90° CCW



COLOR	MIN	MAX	F	DESCRIPTION	PART NO
DK GRAY	5.48	6.10	6.20	CABLE SEAL RETAINER, SIZE C	2103181-3
ORANGE	4.76	5.48	5.60	CABLE SEAL RETAINER, SIZE B	2103181-2
BLACK	4.11	4.76	4.90	CABLE SEAL RETAINER, SIZE A	2103181-1

THIS DRAWING IS A CONTROLLED DOCUMENT. DIMENSIONING AND TOLERANCING PER ASME Y14.5M-2009. TOLERANCES UNLESS OTHERWISE SPECIFIED:		DWN D SIMPSON CHK A TYLER	08FEB2011 08FEB2011	STE TE Connectivity	
DIMENSIONS:	mm	NAME		CABLE SEAL RETAINER HVA280-2PHI XE	
0 PLC ±.2 1 PLC ±0.2 2 PLC ±0.10 3 PLC ±0.100 4 PLC ±0.0001 ANGLES ±1°		PRODUCT SPEC 108-2394		RESTRICTED TO	
MATERIAL		APPLICATION SPEC 114-13295		SIZE CAGE CODE DRAWING NO A100779C=2103181	
FINISH		WEIGHT		SCALE 4:1 SHEET 1 OF 1 REV A	
CUSTOMER DRAWING		SCALE 4:1		SHEET 1 OF 1 REV A	