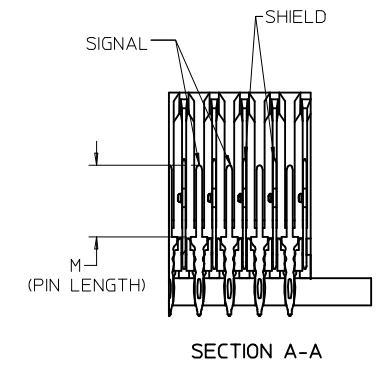
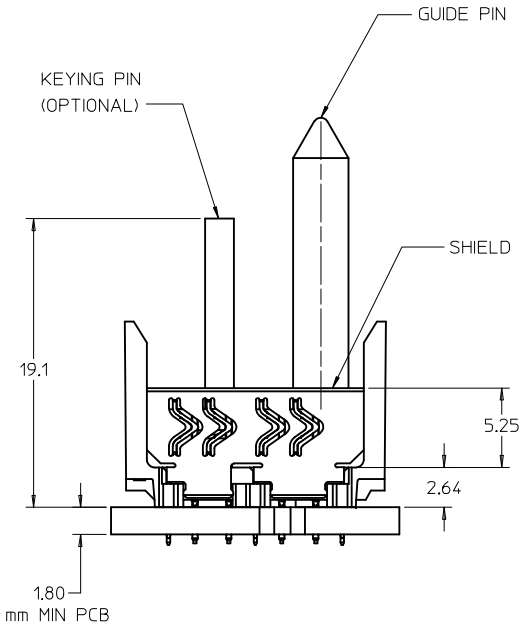
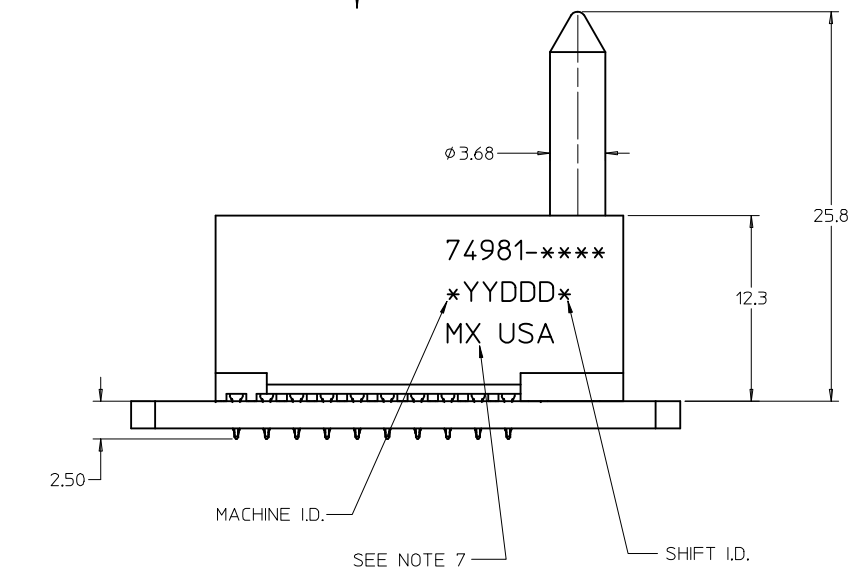
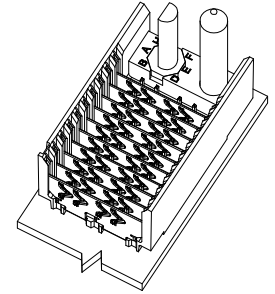


BACKPLANE HOLE PATTERN  
RECOMMENDED DIMENSIONS

Ø0.66 DRILL  
Ø1.00 PAD  
Ø0.56 ±0.05  
PLATED THRU HOLE  
⊕ Ø0.10



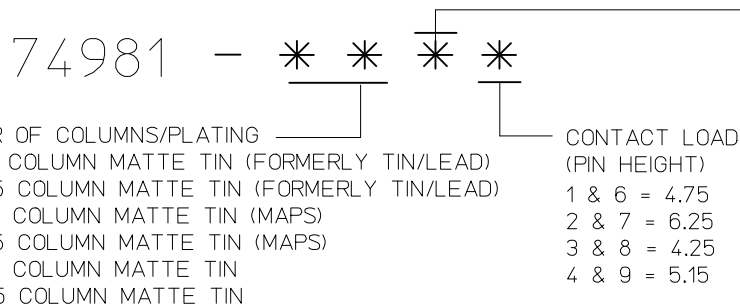
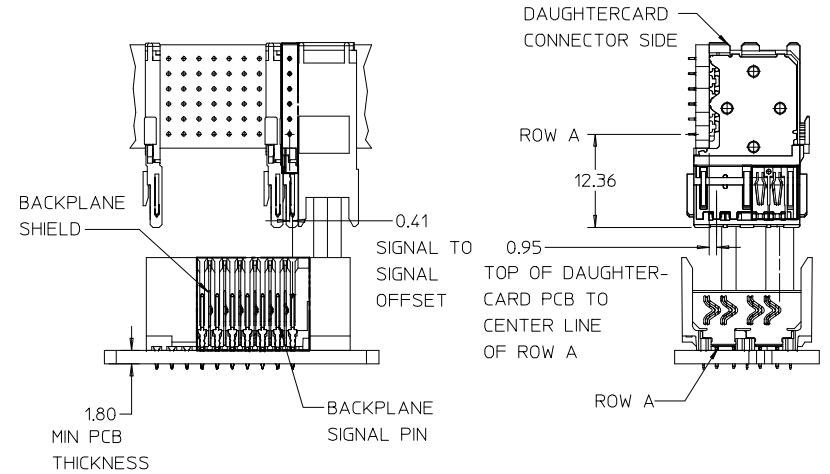
SECTION A-A

- NOTES:
1. MATERIAL: HOUSING-LIQUID CRYSTAL POLYMER (LCP) GLASS-FILLED. UL 94V-0. COLOR-BLACK. SIGNAL AND SHIELD - HIGH PERFORMANCE COPPER ALLOY.
  2. FINISHES:  
CONTACT AREA: SELECTIVE GOLD (Au)  
PCB TAILS: SELECTIVE MATTE TIN (Sn)  
NICKEL (Ni) OVERALL.
  3. THIS PART CONFORMS TO MOLEX PRODUCT SPECIFICATION PS-74031-999.
  4. FOR MIXED CONTACT LENGTHS - CONSULT MOLEX FOR AVAILABILITY.
  5. FOR SPECIFIC PART NUMBER AND MATING INFORMATION REFER TO SHEET 2.
  6. PACKAGE PER PK-74058-003.
  7. MARK PART NUMBER AND DATE CODE APPROXIMATELY WHERE SHOWN
  8. MAPS (MOLEX ADVANCED PLATING SYSTEM).

THE PRIMARY CARTON WITH A LABEL STATING "ELV AND RoHS COMPLAINT" IS LEAD FREE. CARTONS WITHOUT THIS LABEL MAY CONTAIN LEAD.

|   |                                      |                                       |                      |   |                     |  |                                     |                                  |                                     |                                     |
|---|--------------------------------------|---------------------------------------|----------------------|---|---------------------|--|-------------------------------------|----------------------------------|-------------------------------------|-------------------------------------|
| <b>LEAD FREE CONVERSION</b><br>EC NO: UCP2013-0687<br>DRWNGES 2012/08/22<br>CHKD:MMOLFE 2012/11/27<br>APPR:SMILLER 2012/12/14 | QUALITY SYMBOLS<br>▽=0<br>▽=0<br>▽=0 | GENERAL TOLERANCES (UNLESS SPECIFIED) |                      | DIMENSION STYLE<br><b>MM ONLY</b>   |                     | SCALE<br><b>4:1</b>                    | DESIGN UNITS<br><b>METRIC</b>       | THIRD ANGLE PROJECTION           |                                     |                                     |
|   |                                      | 4 PLACES ± --- ± ---                  | 3 PLACES ± --- ± --- | 2 PLACES ± --- ± ---  | 1 PLACE ± --- ± --- | 0 PLACE ± --- ± ---                    | DRAWN BY DATE<br>NMARTIN 2002/09/06 |                                  | CHECKED BY DATE<br>SREED 2002/09/06 |                                     |
|   |                                      | ANGULAR ± 1 °                         |                      | DRAFT WHERE APPLICABLE MUST REMAIN WITHIN DIMENSIONS  |                     | APPROVED BY DATE<br>CBIXLER 2002/09/06 |                                     | MATERIAL NO.<br><b>SEE SHT.2</b> |                                     | DOCUMENT NO.<br><b>SD-74981-010</b> |
|   |                                      | SHEET NO.<br><b>1 OF 2</b>            |                      | THIS DRAWING CONTAINS INFORMATION THAT IS PROPRIETARY TO MOLEX INCORPORATED AND SHOULD NOT BE USED WITHOUT WRITTEN PERMISSION |                     |  |                                     |                                  |                                     |                                     |

| PART NUMBER       | COLUMN | NUMBER OF SIGNAL PIN | NUMBER OF SHIELD | A     | B     | M         | GOLD THICKNESS MICROMETER | TIN THICKNESS MICROMETER |
|-------------------|--------|----------------------|------------------|-------|-------|-----------|---------------------------|--------------------------|
| <b>74981-60*1</b> | 10     | 40                   | 10               | 27.00 | 18.00 | 4.75      | 0.25 MAPS                 | 0.76-1.52                |
| 74981-*0*1        |        |                      |                  |       |       |           | 0.76                      |                          |
| 74981-*0*6        |        |                      |                  |       |       |           | 1.27                      |                          |
| <b>74981-75*1</b> | 25     | 100                  | 25               | 57.00 | 48.00 | 0.25 MAPS |                           |                          |
| 74981-*5*1        |        |                      |                  |       |       | 0.76      |                           |                          |
| 74981-*5*6        |        |                      |                  |       |       | 1.27      |                           |                          |
| <b>74981-60*2</b> | 10     | 40                   | 10               | 27.00 | 18.00 | 0.25 MAPS |                           |                          |
| 74981-*0*2        |        |                      |                  |       |       | 0.76      |                           |                          |
| 74981-*0*7        |        |                      |                  |       |       | 1.27      |                           |                          |
| <b>74981-75*2</b> | 25     | 100                  | 25               | 57.00 | 48.00 | 0.25 MAPS |                           |                          |
| 74981-*5*2        |        |                      |                  |       |       | 0.76      |                           |                          |
| 74981-*5*7        |        |                      |                  |       |       | 1.27      |                           |                          |
| <b>74981-60*3</b> | 10     | 40                   | 10               | 27.00 | 18.00 | 0.25 MAPS |                           |                          |
| 74981-*0*3        |        |                      |                  |       |       | 0.76      |                           |                          |
| 74981-*0*8        |        |                      |                  |       |       | 1.27      |                           |                          |
| <b>74981-75*3</b> | 25     | 100                  | 25               | 57.00 | 48.00 | 0.25 MAPS |                           |                          |
| 74981-*5*3        |        |                      |                  |       |       | 0.76      |                           |                          |
| 74981-*5*8        |        |                      |                  |       |       | 1.27      |                           |                          |
| <b>74981-60*4</b> | 10     | 40                   | 10               | 27.00 | 18.00 | 0.25 MAPS |                           |                          |
| 74981-*0*4        |        |                      |                  |       |       | 0.76      |                           |                          |
| 74981-*0*9        |        |                      |                  |       |       | 1.27      |                           |                          |
| <b>74981-75*4</b> | 25     | 100                  | 25               | 57.00 | 48.00 | 0.25 MAPS |                           |                          |
| 74981-*5*4        |        |                      |                  |       |       | 0.76      |                           |                          |
| 74981-*5*9        |        |                      |                  |       |       | 1.27      |                           |                          |



| P/N                    | ---0* | ---1* | ---2* | ---3* | ---4* | ---5* | ---6* | ---7* | ---8* |
|------------------------|-------|-------|-------|-------|-------|-------|-------|-------|-------|
| 74981-( )              | 0     | A     | B     | C     | D     | E     | F     | G     | H     |
| KEYING PIN ORIENTATION |       |       |       |       |       |       |       |       |       |

|   |                      |  |  |   |                        |                        |
|---|----------------------|--|--|---|------------------------|------------------------|
| SEE SHEET 1<br>EC NO: UCP2013-0687<br>DRAWINGS 2012/08/22<br>CHKD:WOLFE 2012/11/27<br>APPR:SMILLER 2012/12/14 | QUALITY SYMBOLS      | GENERAL TOLERANCES (UNLESS SPECIFIED)                | DIMENSION STYLE<br>MM ONLY             | SCALE<br>4:1  | DESIGN UNITS<br>METRIC | THIRD ANGLE PROJECTION |
|   | ▽=0                  | mm INCH  | DRAWN BY DATE<br>NMARTIN 2002/09/06    | HSD SALES ASSEMBLY<br>6 ROW SHIELD END<br>BACKPLANE<br><b>molex</b><br>DOCUMENT NO. SD-74981-010<br>SHEET NO. 2 OF 2          |                        |                        |
|   | ▽=0                  | 4 PLACES ± --- ± ---                                 | CHECKED BY DATE<br>SREED 2002/09/06    |   |                        |                        |
|   | ▽=0                  | 3 PLACES ± --- ± ---                                 | APPROVED BY DATE<br>CBIXLER 2002/09/06 |   |                        |                        |
|   | 2 PLACES ± --- ± --- | MATERIAL NO.   |  |   |                        |                        |
|   | 1 PLACE ± --- ± ---  | ANGULAR ± 1°   | SIZE<br>C                              | THIS DRAWING CONTAINS INFORMATION THAT IS PROPRIETARY TO MOLEX INCORPORATED AND SHOULD NOT BE USED WITHOUT WRITTEN PERMISSION |                        |                        |
|   | 0 PLACE ± ±          | DRAFT WHERE APPLICABLE MUST REMAIN WITHIN DIMENSIONS |  |   |                        |                        |