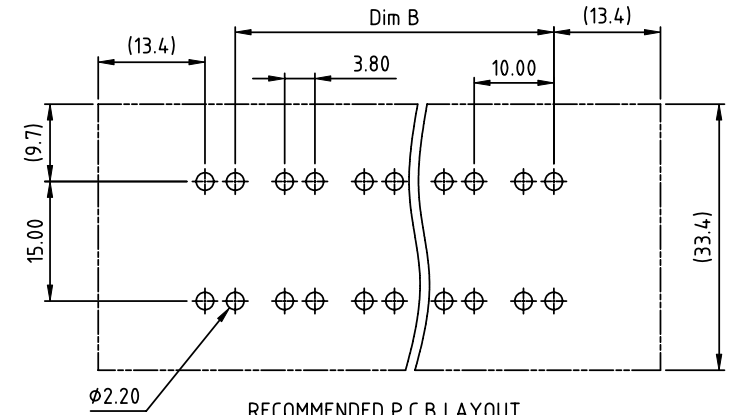
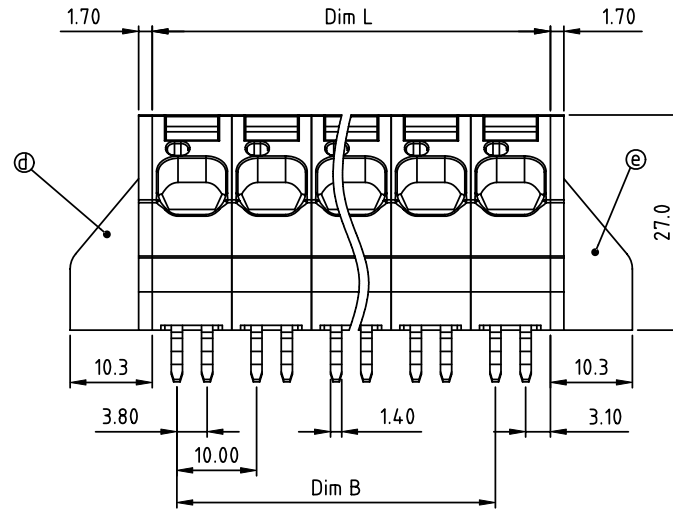
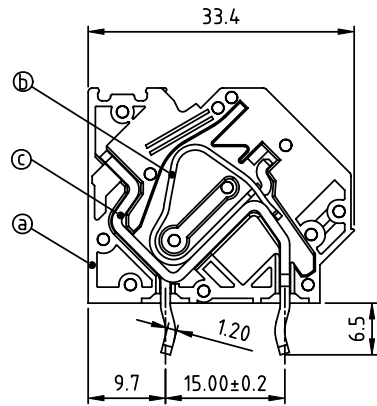


PRODUCT NUMBER	PITCH
H8xx00x100J0G	10.00mm



RECOMMENDED P.C.B LAYOUT
TOP VIEW

Material:

- Item ① Insulator(housing): Thermoplastic (UL94V-0)
- Item ② Spring clamp: Stainless steel
- Item ③ Terminal Body(Solder pin): Copper.Tin platd
- Item ④ With flange left cover: Thermoplastic (UL94V-0)
- Item ⑤ With flange right cover: Thermoplastic (UL94V-0)

Electrical:

- | | | |
|--------------------------|------------------------|------|
| | cULus | IEC |
| ● Voltage rating: | 300V | 250V |
| ● Current rating: | 37A | 76A |
| ● Wire range: | 0.2-16 mm ² | |
| ● Solid wire(AWG): | 6-24 | |
| ● Stranded wire(AWG): | 6-24 | |
| ● Wire strip length: | 12-13mm | |
| ● Withstanding Voltage: | 1.6KV | 4KV |
| ● Operating temperature: | -40°C to +115°C | |
| ● Soldering temperature: | 260°C±5°C/5 Sec | |
| ● Safety Approval: | cULus | |

N=Number of poles
Dim L=Nx10.0
Dim B=(N-1)x10.0

Poles	Dim L	Dim B
2-6p	±0.15	±0.15
7-12p	±0.25	±0.25

PART NO.: H8 xx 00 x 100J0 G

No. of poles	0	Black (RAL9005)	RoHS compliant
End Stackable	2	Red (RAL3001/D)	(lead<4%)
02 2 poles	3	Orange(RAL2011/P)	In copper Alloy
03 3 poles	4	Yellow(RAL1018/A)	
...	5	Green(RAL6018/T)	
12 12 poles	6	Blue (RAL5015/A)	
	8	Grey(RAL7004/P)	
	9	White(RAL1102)	
	C	Multiple colors	

mat'l. code		surface ASME Y14.5	tolerance ASME Y14.5	projection	product family	
ltr ecn no dr date		tolerances unless otherwise specified		MM	TERMINAL BLOCK	
		angles	X.±0.5		title	
		X*±1°	X.X±0.3	scale	TERMINAL BLOCK	
		dr	EVIN ZHONG 053114	FCI	SPRING CLAMP,45D WIRE INLET,WITH FLANGE	
		enr	EVIN ZHONG 053114		dwg no	sheet 1 of 1 size
		chr	HANKE FENG 053114		H8xx00x100J0G	A4
		appd	SHI JUN 053114		type	CUSTOMER Drawing
sheet index	revision sheet	A	1			