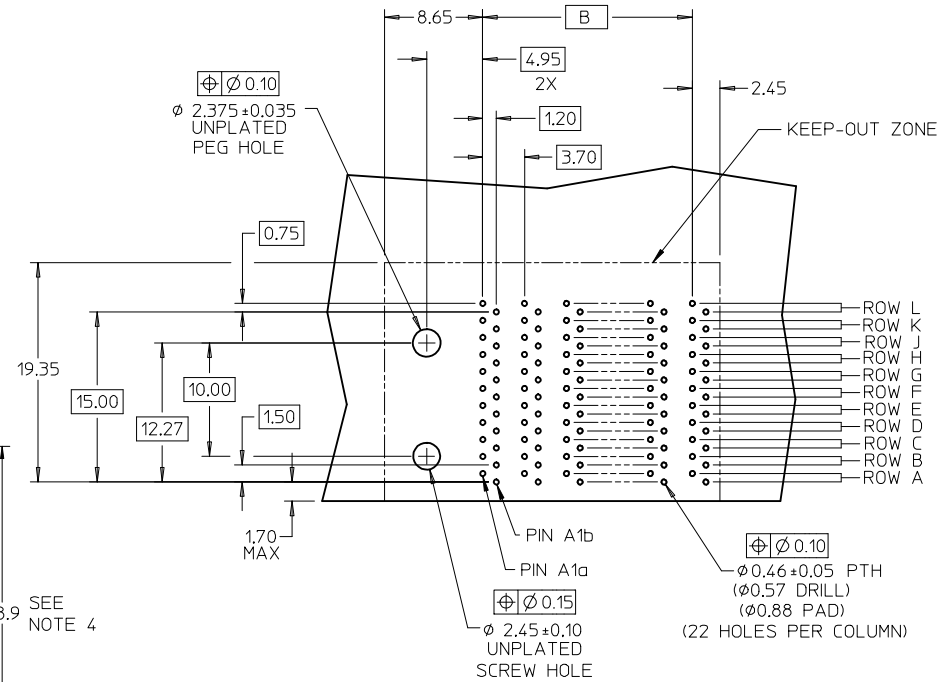
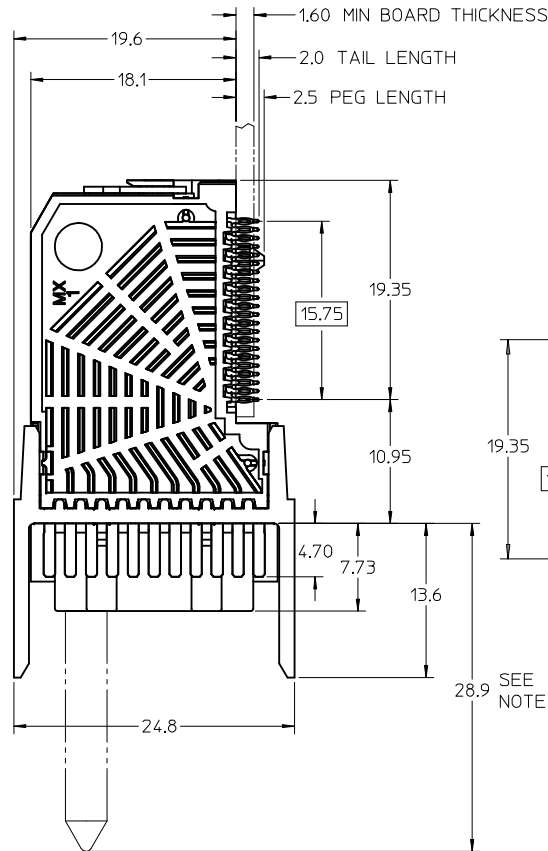
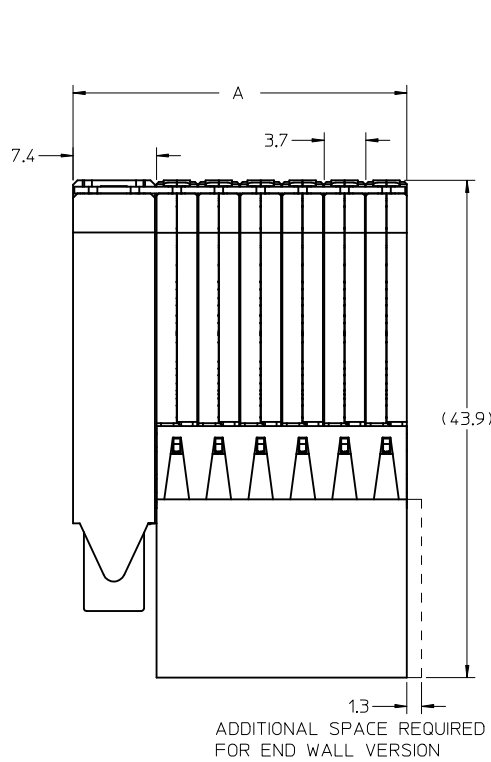


NOTES:

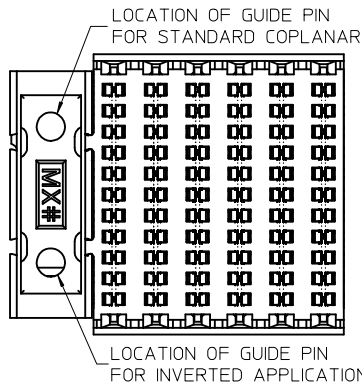
1. MATERIALS: HOUSING - LIQUID CRYSTAL POLYMER (LCP), BLACK, UL94V-0
TERMINALS - HIGH PERFORMANCE COPPER ALLOY
2. FINISH: SELECTIVE GOLD IN CONTACT AREA.
SELECTIVE MATTE TIN ON PCB TAILS, NICKEL OVERALL.
3. MOLEX PRODUCT SPECIFICATION: PS-75710-999.
4. OPTIONAL GUIDE PIN SHOWN IN COPLANAR LOCATION.
5. PACKAGED PER PK-70873-585.
6. THIS PART CONFORMS TO CLASS B REQUIREMENTS OF MOLEX COSMETIC SPEC PS-45499-002.
7. GUIDED PARTS TO BE SHIPPED WITH 2-32 TYPE AB SELF-TAPPING SCREW P/N 73726-0000.
8. MAPS (MOLEX ADVANCED PLATING SYSTEM).

MATERIAL NUMBER	# OF COLUMNS	DIM "A" MAX	DIM "B"
75910-5**	5	25.9	14.80
75910-6**	6	29.6	18.50
75910-11**	10	44.4	33.30



RAM HOLE PATTERN
(CONNECTOR SIDE)

(75910-***3)
(75910-***7)



REV	DESCRIPTION	QUALITY SYMBOLS	GENERAL TOLERANCES (UNLESS SPECIFIED)		DIMENSION STYLE		SCALE	DESIGN UNITS	THIRD ANGLE PROJECTION	
			mm	INCH	MM ONLY	DATE				
LEAD FREE CONV./MAPS										
EC NO: UCP2013-4121	2013/04/01									
DRW:RWHIPPLE	2013/04/01				TELO	2006/06/19				
CHKD:MWOLFE	2013/04/01				CHECKED BY	DATE				
APPR:SMILLER	2013/07/15				ELO	2006/11/09				
					APPROVED BY	DATE				
					BIXLER	2006/11/10				
					MATERIAL NO.					
					SEE CHART					
					ANGULAR ±1/2°					
					DRAFT WHERE APPLICABLE MUST REMAIN WITHIN DIMENSIONS					
					SIZE					
					THIS DRAWING CONTAINS INFORMATION THAT IS PROPRIETARY TO MOLEX INCORPORATED AND SHOULD NOT BE USED WITHOUT WRITTEN PERMISSION					

I-TRAC 11 ROW RAM ASS'Y
DIFFERENTIAL LONG NOSE
GUIDE LEFT

molex

DOCUMENT NO. SD-75910-002 SHEET NO. 1 OF 3

75910-****

MODULE TYPE - TAIL PLATING TYPE

GUIDE LEFT - MATTE TIN (FORMERLY TIN/LEAD) = 2

GUIDE LEFT - MATTE TIN = 3

GUIDE LEFT, END WALL - MATTE TIN (FORMERLY TIN/LEAD) = 6

GUIDE LEFT, END WALL - MATTE TIN = 7

OF COLUMNS

5 = 5 COL

6 = 6 COL

1 = 10 COL

PIN LENGTH/PLATING

3 = 4.70 30 GOLD

5 = 6 X 3.80, 5 X 4.70 STAGGERED 30 GOLD

6 = 2 X 3.80, 9 X 4.70 STAGGERED 30 GOLD

7 = 4.70 10 GOLD (MAPS)

8 = 6 X 3.80, 5 X 4.70 STAGGERED 10 GOLD (MAPS)

9 = 2 X 3.80, 9 X 4.70 STAGGERED 10 GOLD (MAPS)

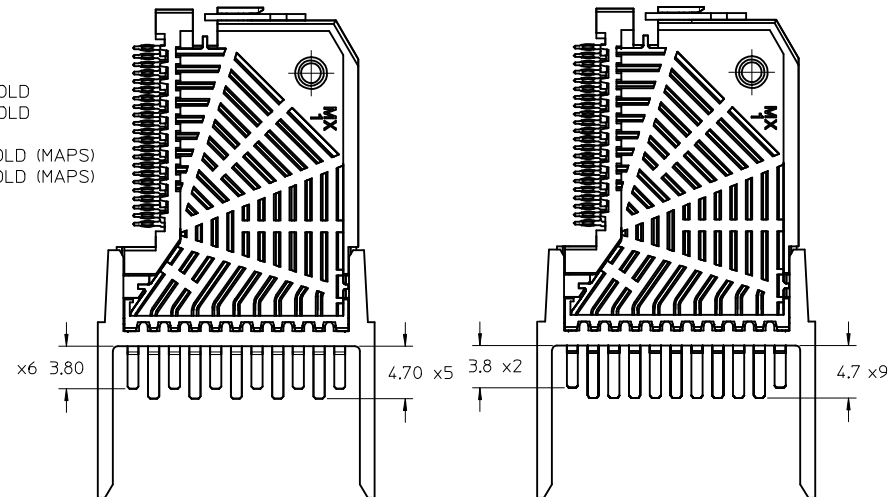
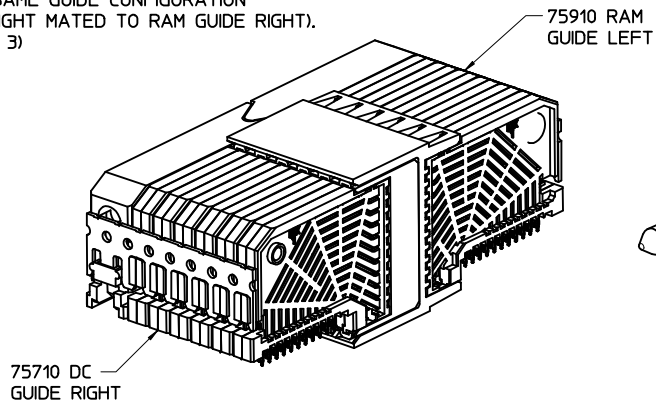
ORIENTATION OF GUIDE POST

2 = COPLANAR

3 = INVERTED

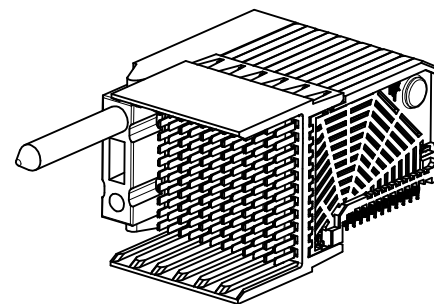
NOTE:

WHEN MATING RIGHT ANGLE MALE (RAM) TO A DAUGHTERCARD IN A COPLANAR APPLICATION, THE GUIDE CONFIGURATION IS OPPOSING (DC GUIDE RIGHT MATED TO RAM GUIDE LEFT). WHEN INVERTED, THE RAM AND DAUGHTERCARD HAVE THE SAME GUIDE CONFIGURATION (DC GUIDE RIGHT MATED TO RAM GUIDE RIGHT). (SEE SHEET 3)

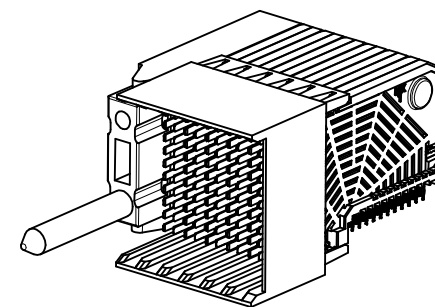


STAGGERED PIN OPTION
(75910-***5)
(75910-***8)

STAGGERED PIN OPTION
(75910-***6)
(75910-***9)



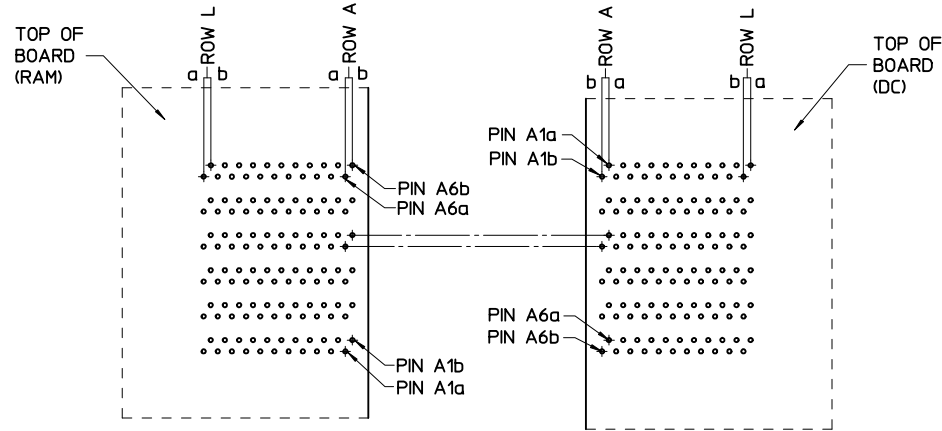
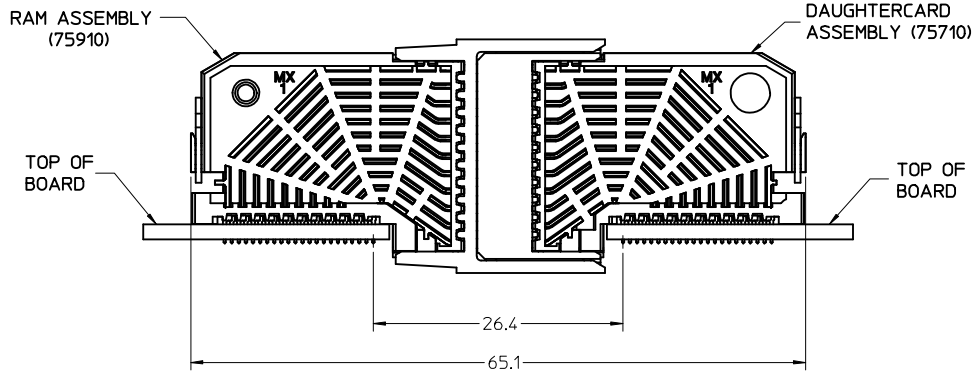
75910-2*2* or
75910-3*2*
GUIDE LEFT, COPLANAR



75910-6*3* or
75910-7*3*
GUIDE LEFT, END WALL,
INVERTED

SEE SHEET 1 EC NO: UCP2013-4121 DRAWN: RWHIPPLE 2013/04/01 CHKD: MWOLFE 2013/04/01 APPR: SMILLER 2013/07/15	QUALITY SYMBOLS	GENERAL TOLERANCES (UNLESS SPECIFIED)	DIMENSION STYLE MM ONLY	SCALE 2:1	DESIGN UNITS METRIC	THIRD ANGLE PROJECTION
	▽=0	mm INCH	DRAWN BY TELO	DATE 2006/06/19	TITLE I-TRAC 11 ROW RAM ASS'Y DIFFERENTIAL LONG NOSE GUIDE LEFT	
	▽=0	4 PLACES ± --- ± ---	CHECKED BY ELO	DATE 2006/11/09	molex DOCUMENT NO. SD-75910-002 SHEET NO. 2 OF 3	
	▽=0	3 PLACES ± --- ± ---	APPROVED BY BIXLER	DATE 2006/11/10		
		2 PLACES ± 0.13 ± ---	ANGULAR ± 1/2°	MATERIAL NO.		DRAFT WHERE APPLICABLE MUST REMAIN WITHIN DIMENSIONS
	1 PLACE ± 0.25 ± ---	0 PLACE ± ±	SIZE C		THIS DRAWING CONTAINS INFORMATION THAT IS PROPRIETARY TO MOLEX INCORPORATED AND SHOULD NOT BE USED WITHOUT WRITTEN PERMISSION	

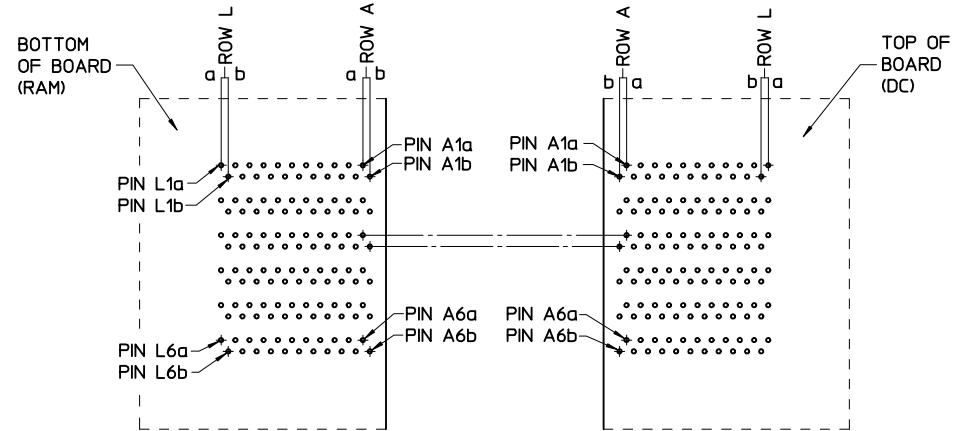
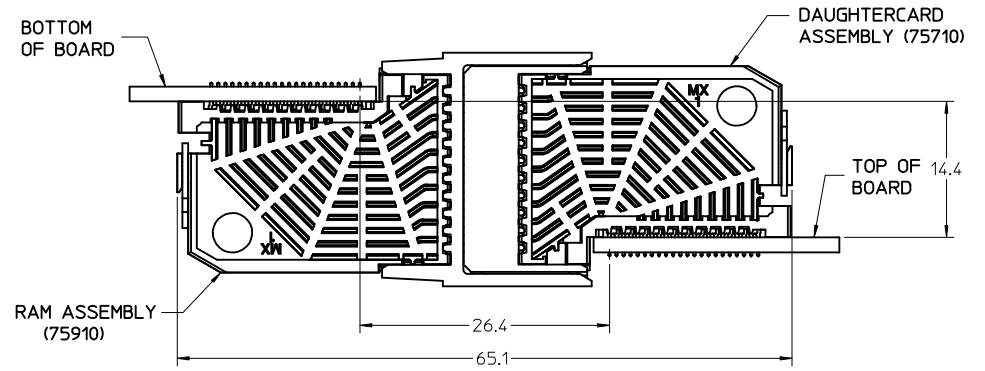
COPLANAR APPLICATION



COPLANAR MATED SIGNAL PATHS

RAM PIN A6b	DC PIN A1a
RAM PIN A6a	DC PIN A1b
.....
RAM PIN A1b	DC PIN A6a
RAM PIN A1a	DC PIN A6b

INVERTED APPLICATION



INVERTED MATED SIGNAL PATHS

RAM PIN L1a	DC PIN A1a
RAM PIN L1b	DC PIN A1b
.....
RAM PIN L6a	DC PIN A6a
RAM PIN L6b	DC PIN A6b

SEE SHEET 1 EC NO: UCP2013-4121 DRWNR:WHIPPLE 2013/04/01 CHKD:HWOLFE 2013/04/01 APPR:SMILLER 2013/07/15 REV:	QUALITY SYMBOLS	GENERAL TOLERANCES (UNLESS SPECIFIED)	DIMENSION STYLE MM ONLY	SCALE 2:1	DESIGN UNITS METRIC	THIRD ANGLE PROJECTION
	▽=0	4 PLACES ± --- ± ---	DRAWN BY TELO	DATE 2006/06/19	I-TRAC 11 ROW RAM ASS'Y DIFFERENTIAL LONG NOSE GUIDE LEFT molex DOCUMENT NO. SD-75910-002 SHEET NO. 3 OF 3	
	▽=0	3 PLACES ± --- ± ---	CHECKED BY ELO	DATE 2006/11/09		
	▽=0	2 PLACES ±0.13 ± ---	APPROVED BY BIXLER	DATE 2006/11/10		
▽=0	1 PLACE ±0.25 ± ---	MATERIAL NO. SEE CHART				
		0 PLACE ± ±	ANGULAR ±1/2°			
			DRAFT WHERE APPLICABLE MUST REMAIN WITHIN DIMENSIONS			