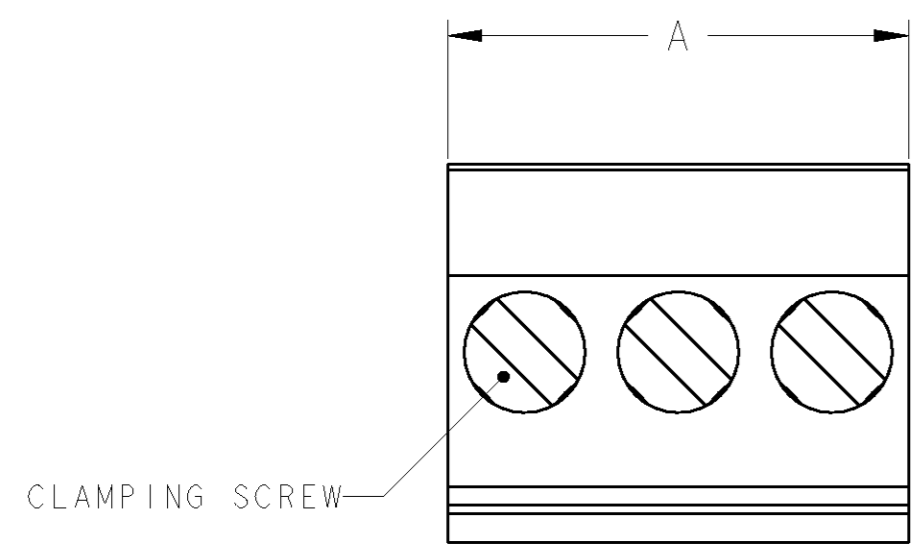
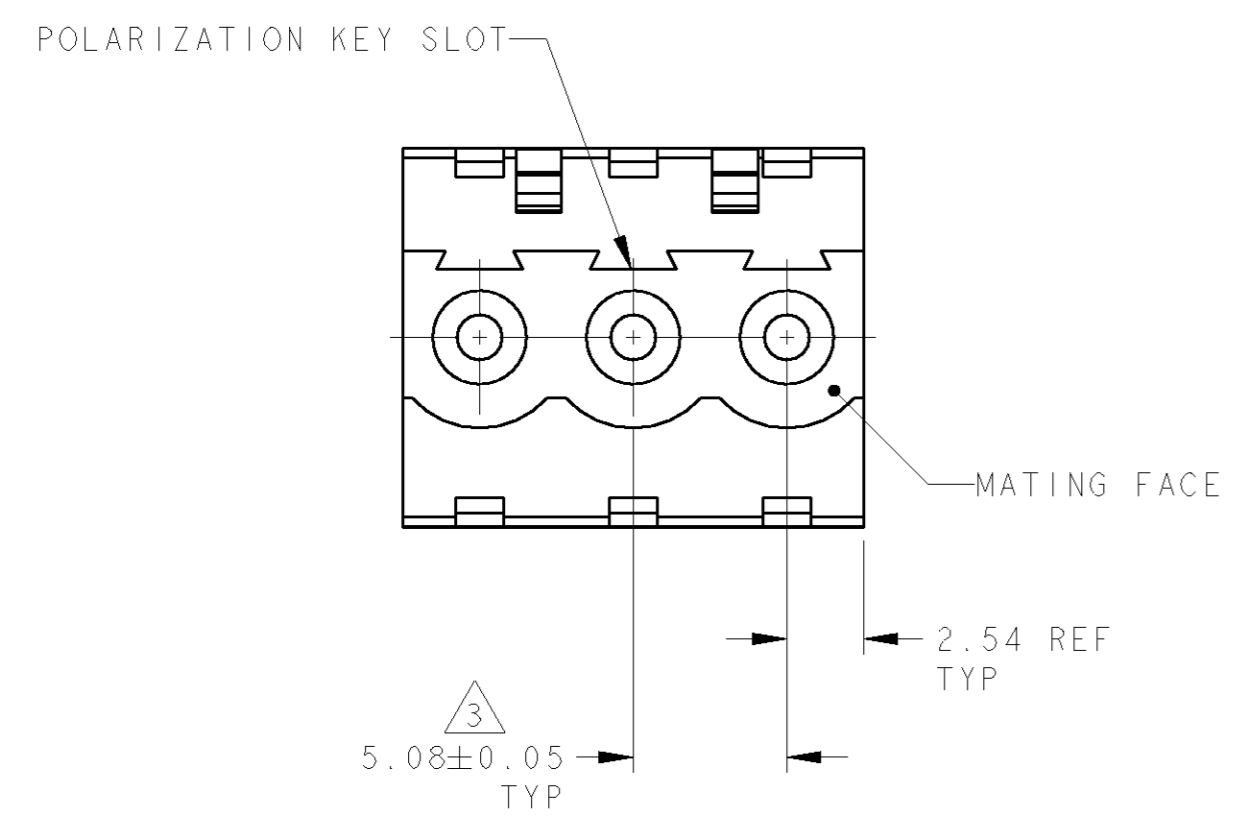
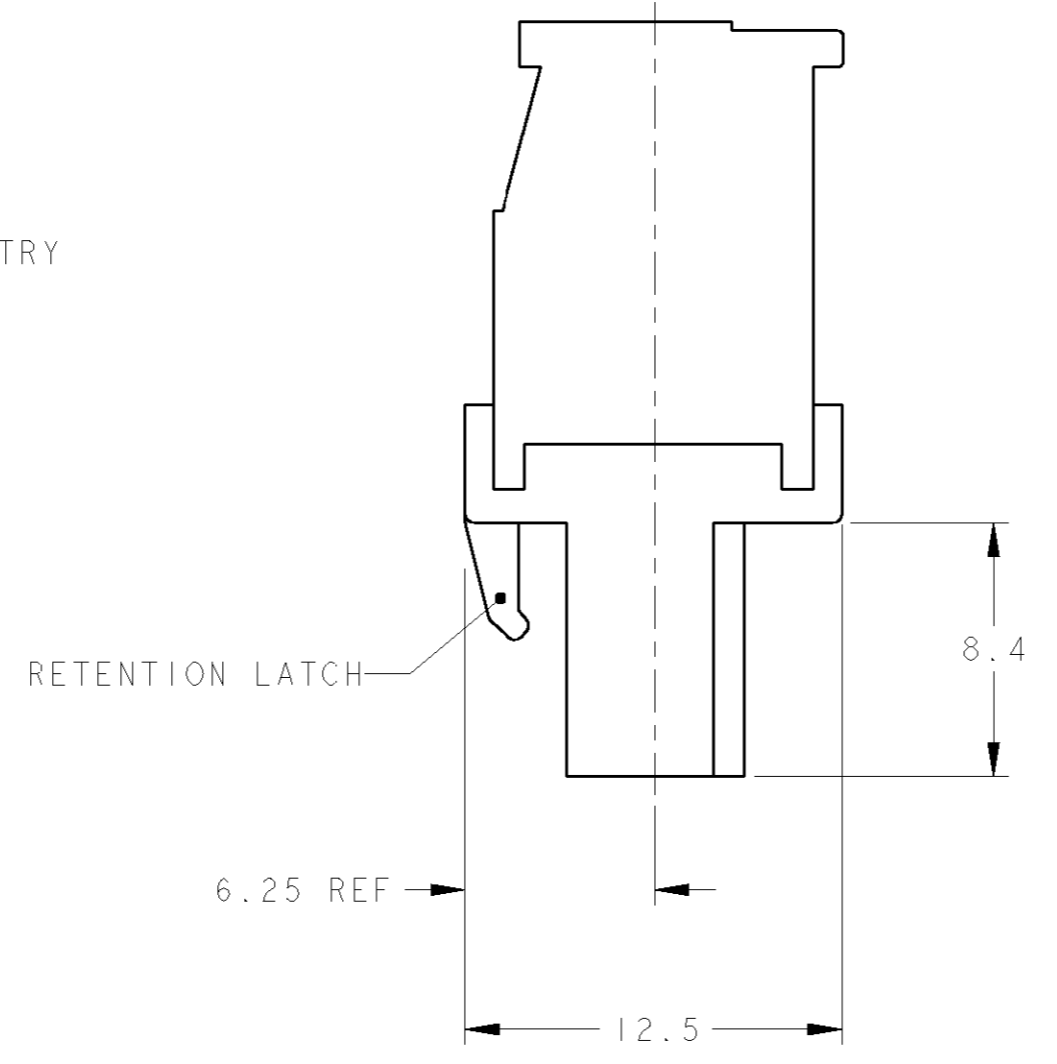
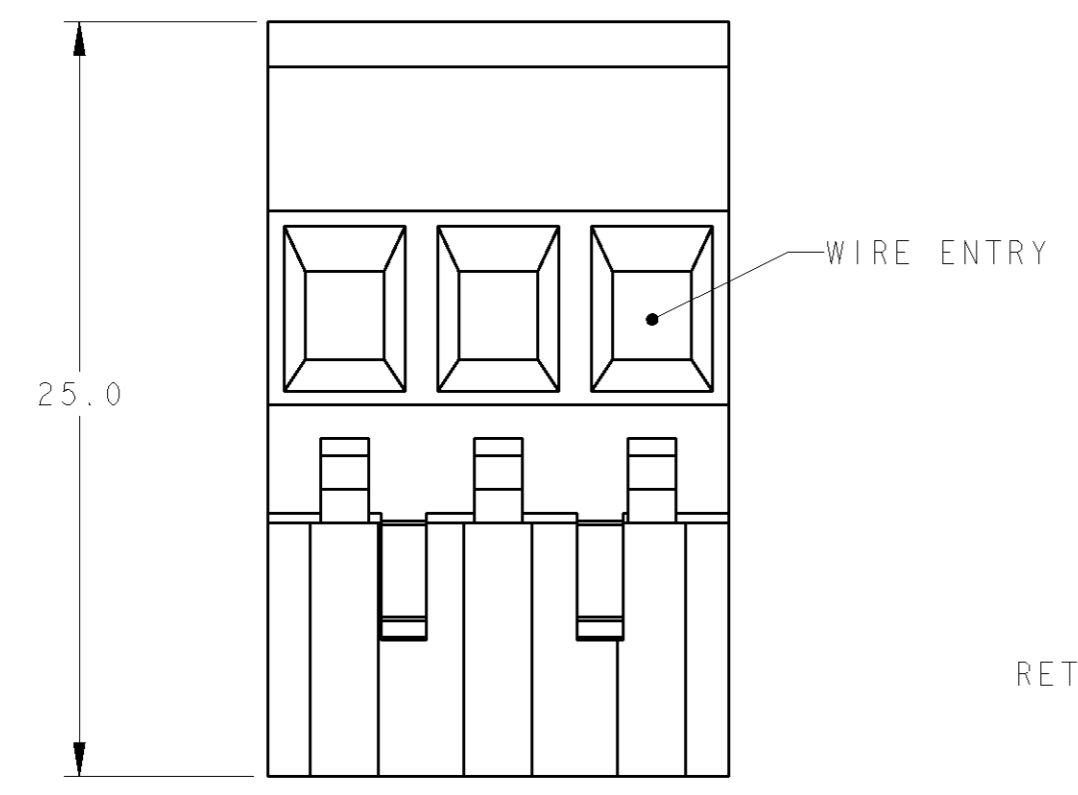


THIS DRAWING IS UNPUBLISHED. RELEASED FOR PUBLICATION 20  
 © COPYRIGHT 20 BY TYCO ELECTRONICS CORPORATION. ALL RIGHTS RESERVED.

LOC		DIST		REVISIONS			
P	LTR	DESCRIPTION	DATE	DWN	APVD		
	A	RELEASED	03SEP2002	SW	CR		
	B	REVISED EC 0G3B-0202-04	04MAR2004	SW	CR		



- 1 MATERIALS AND FINISH  
 HOUSING: PA 6-6, UL 94-V0, COLOR: BLACK.  
 CLAMP: BRASS, NICKEL PLATED.  
 CONTACT SPRING : PHOSPHOR BRONZE, TIN PLATED.  
 CLAMPING SCREW: M3, BRASS, NICKEL PLATED.
- 2. WIRE SIZE RANGE: 12 - 30 AWG
- 3 NOT CUMULATIVE TOLERANCE.



127.00	25	2-1546231-5
121.92	24	2-1546231-4
116.84	23	2-1546231-3
111.76	22	2-1546231-2
106.68	21	2-1546231-1
101.60	20	2-1546231-0
96.52	19	1-1546231-9
91.44	18	1-1546231-8
86.36	17	1-1546231-7
81.28	16	1-1546231-6
76.20	15	1-1546231-5
71.12	14	1-1546231-4
66.04	13	1-1546231-3
60.96	12	1-1546231-2
55.88	11	1-1546231-1
50.80	10	1-1546231-0
45.72	9	1546231-9
40.64	8	1546231-8
35.56	7	1546231-7
30.48	6	1546231-6
25.40	5	1546231-5
20.32	4	1546231-4
15.24	3	1546231-3
10.16	2	1546231-2
A	NO OF POSN	PART NUMBER

THIS DRAWING IS A CONTROLLED DOCUMENT FOR TYCO ELECTRONICS CORPORATION. IT IS SUBJECT TO CHANGE AND THE CONTROLLING ENGINEERING ORGANIZATION SHOULD BE CONTACTED FOR THE LATEST REVISION.		DWN S. WELDON 05FEB2003	Tyco Electronics Harrisburg, PA 17105-3608	
DIMENSIONS: mm		CHK C. RICHARD 05FEB2003	NAME TERMINAL BLOCK, VERTICAL PLUG, STACKING, RIGHT HAND, 5.08mm PITCH	
TOLERANCES UNLESS OTHERWISE SPECIFIED: 0 PLC ±.3 1 PLC ±.3 2 PLC ±.25 3 PLC ±. 4 PLC ±. ANGLES ±2 FINISH		APVD C. RICHARD 05FEB2003		
MATERIAL		PRODUCT SPEC -	SIZE A2	CAGE CODE 00779
CUSTOMER DRAWING		APPLICATION SPEC -	DRAWING NO 1546231	RESTRICTED TO -
		WEIGHT -	SCALE 4:1	SHEET 1 OF 1