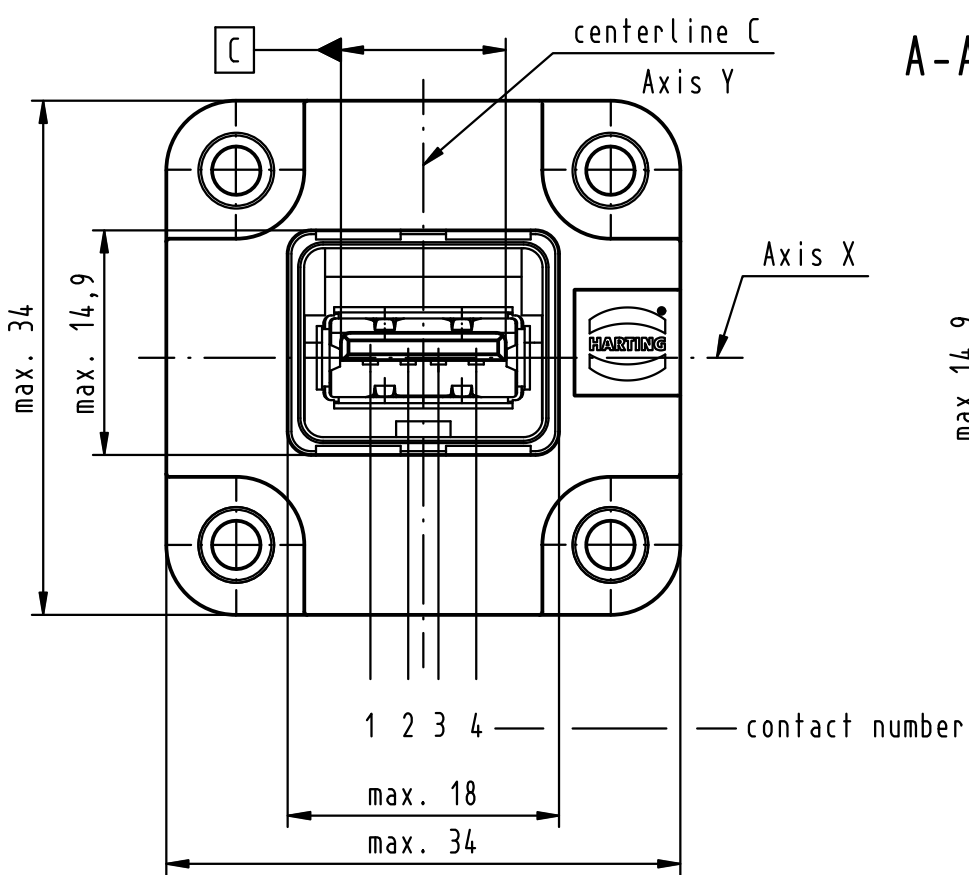
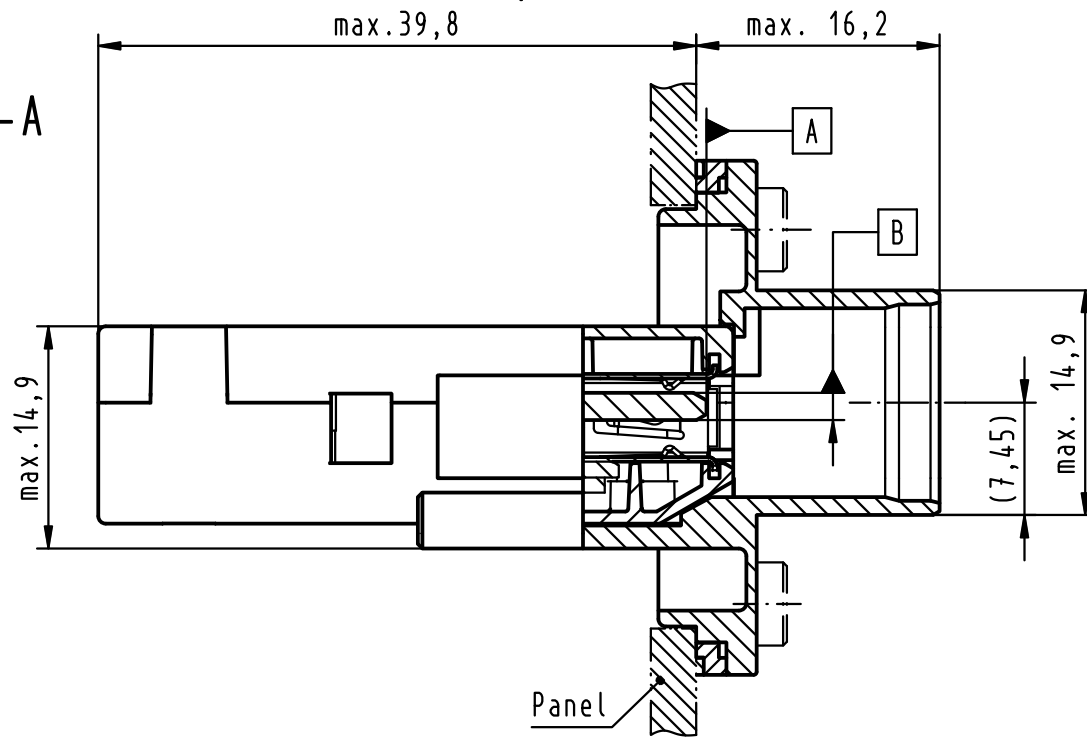


Alle Rechte vorbehalten/ All rights reserved

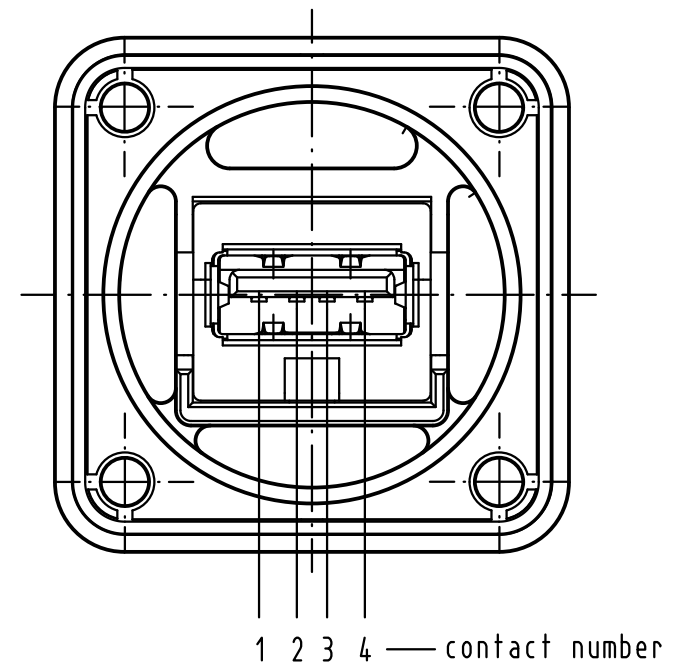
USB 2.0 type A



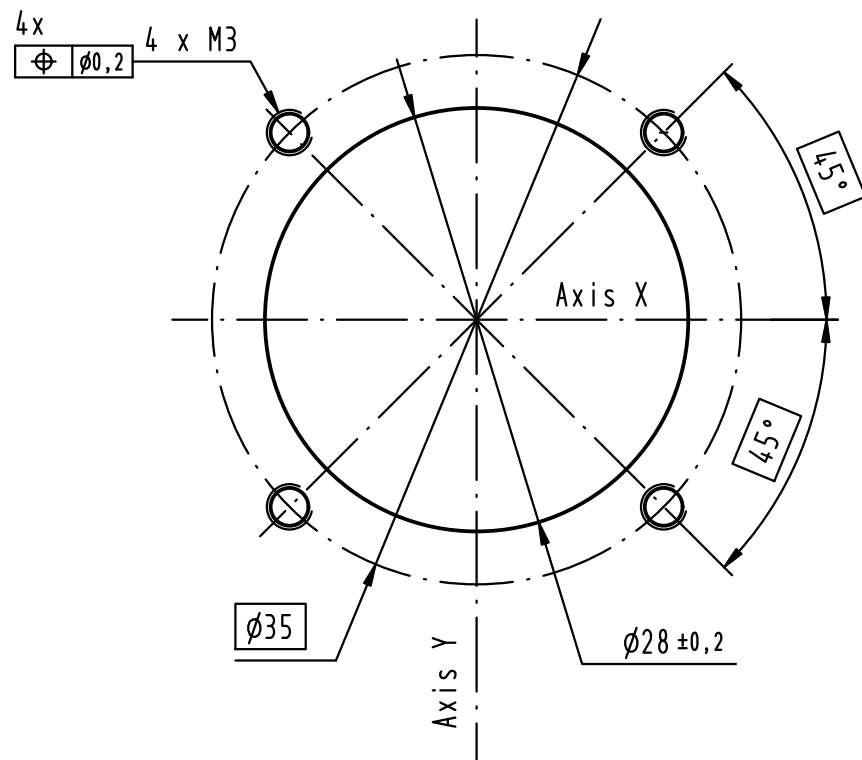
A-A



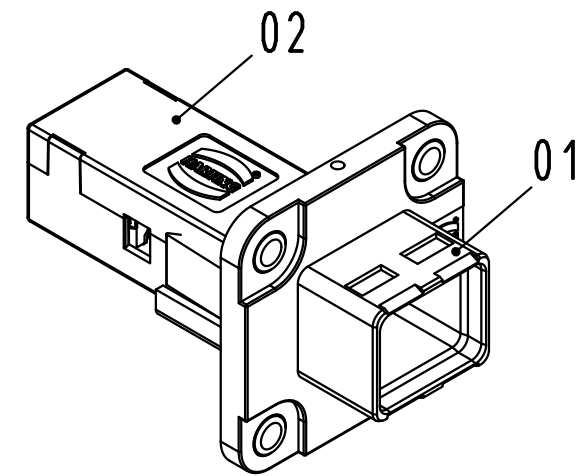
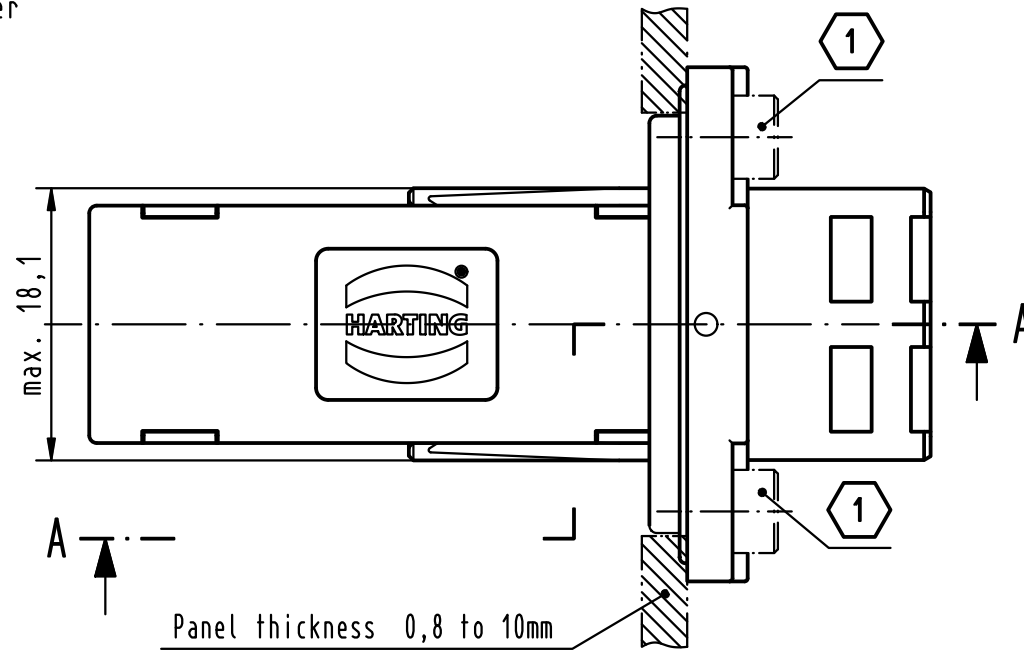
USB 2.0 type A



Panel Cutting



Connector pitch on panel:
Axis X and Y = 35mm



further information see: DS 09 45 623 02 02

① Screwing 4x M3 screws between 0,3 - 0,5Nm, screw acc. to ISO 4762 order please separately

References A, B and C acc. to USB specification 2.0, www.usb.org

loading-plan

V Bus	1	—	1
D-	2	—	2
D+	3	—	3
GND	4	—	4
Shield	Shell	—	Shell

02	1	USB 2.0 HIFF Bulkhead coupler type A-A	09 45 545 1901
01	1	HPP housing EasyInstall	09 45 545 0032
pos.	number	description	part-number
		All Dimensions in mm Original Size DIN A 3	Nicht tolerierte Maß/Free size tolerances
		Techn. Character.	HARTING PushPull EasyInstall panel feed through USB 2.0 Type A
		Detail. 02.05.11 HL.	
		Insp. 02.05.11 Lue.	
		Stand.	
		36124	TB 09 45 245 1903
Mod.	Dat.	Name	
		HARTING Electronics GmbH & Co. KG D-32339 ESPELKAMP	Blatt/ page
			Sub.

