

Customer Information Sheet

DRAWING No.: C90-3102RXXSX-XX

SHEET 2 OF 2

IF IN DOUBT - ASK

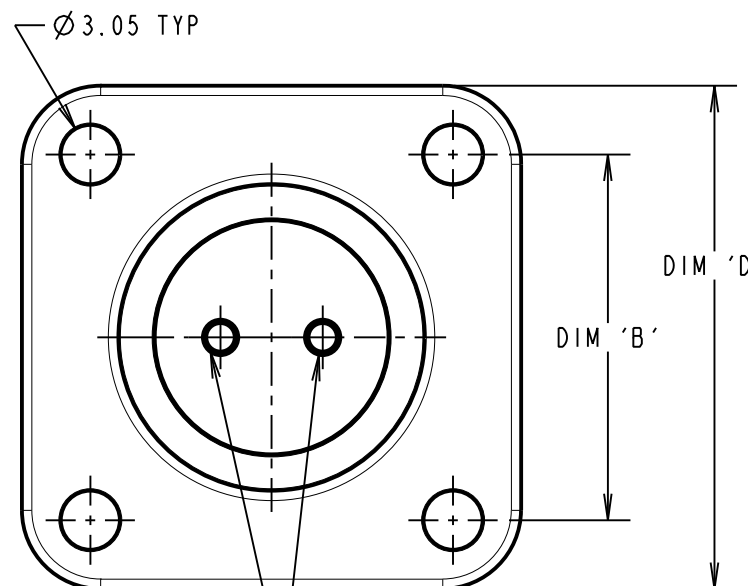
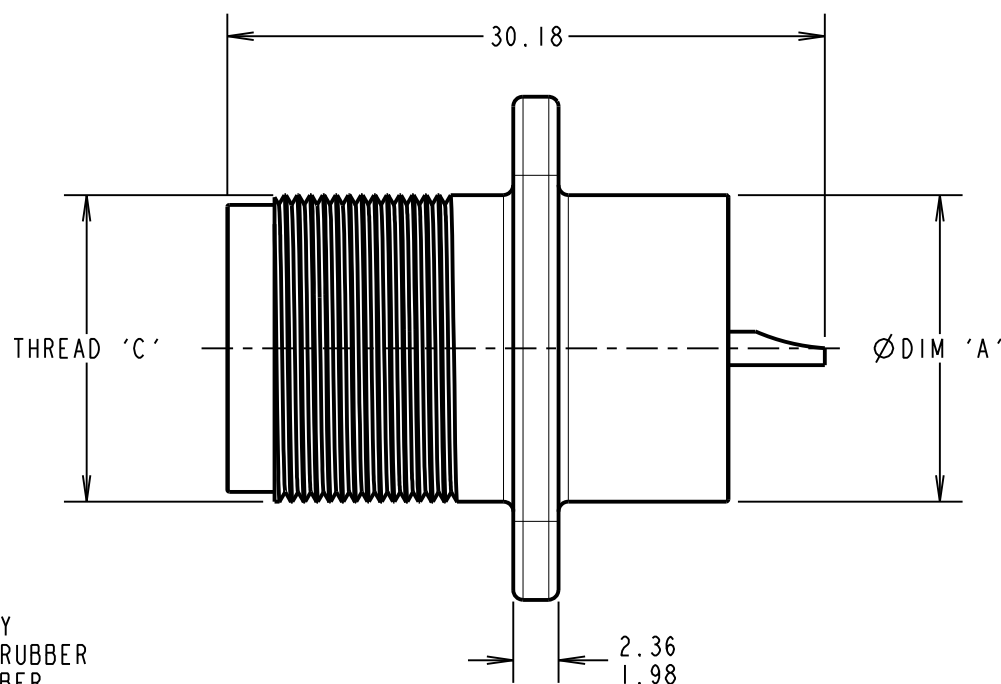
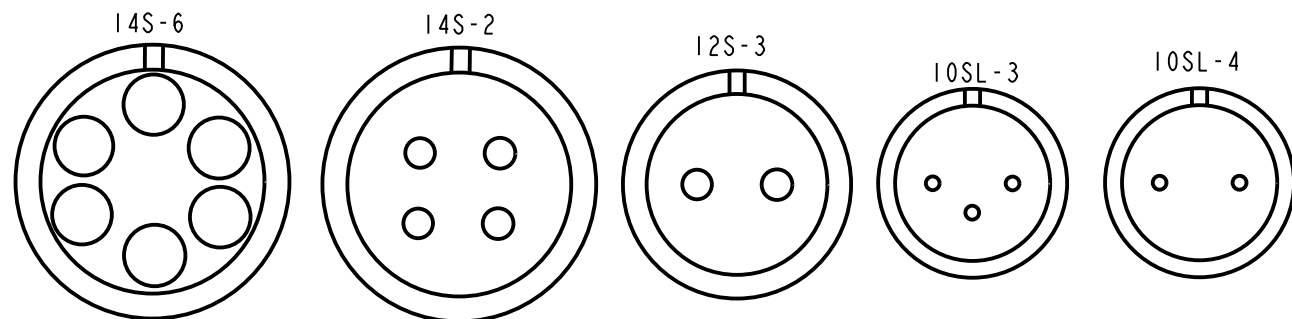
©

NOT TO SCALE

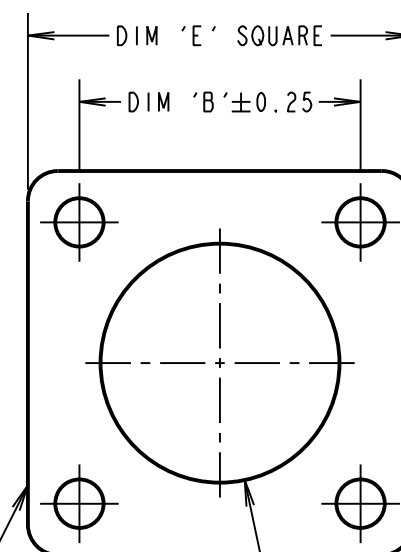
THIRD ANGLE PROJECTION

ALL DIMENSIONS IN mm

CONTACT LAYOUT (SHOWN LOOKING AT THE MATING FACE IS FOR ILLUSTRATION ONLY)



CONTACT LAYOUT IS FOR ILLUSTRATION ONLY



SEALING GASKET SEE NOTE 2

Ø DIM F 0.79 ± 0.25

SPECIFICATIONS:

MATERIAL:

SHELL: ALUMINIUM ALLOY
INSULATOR: SYNTHETIC RUBBER
GASKET: SYNTHETIC RUBBER
CONTACT COPPER ALLOY

FINISH:

SHELL: ZINC WITH BLACK CHROMATE COATING
CONTACT: SILVER

ENVIRONMENTAL:

OPERATING TEMPERATURE: -55°C TO +125°C

MECHANICAL:

VIBRATION SENSITIVITY: 10Hz TO 500Hz, 98mm/s² (10G)
SHOCK SEVERITY: 490m/s² (50G) FOR 11ms
WATER RESISTANCE (SEALING): 1.8m FOR 48HRS, EXCEEDS IP67

ELECTRICAL:

CURRENT RATING: 13A
VOLTAGE RATING: 10SL & 12S SHELL SIZES: 500V AC, 700V DC
14S SHELL SIZE: 200V AC, 250V DC
VOLTAGE PROOF: 10SL & 12S: 2,000V AC
14S: 1,000V AC

INSULATION RESISTANCE: 5,000MΩ MIN.

FOR MECHANICAL/ELECTRICAL REQUIREMENTS, SEE COMPONENT SPECIFICATION C045XX (LATEST ISSUE)

NOTES:

- PRODUCT IS RoHS COMPLIANT.
- CONNECTOR PACKED IN BAGS, ONE CONNECTOR AND GASKET PER BAG.
- RECOMMENDED WIRE SIZE 16-22 AWG.
- RECOMMENDED PANEL CUT-OUT FOR SHELL SIZE 10SL & 12S = Ø20.62 AND FOR SHELL SIZE 14S = Ø23.83.
- RECOMMENDED WIRE STRIP LENGTH = 7.5mm.

SB	6	25.06.13	12118
NAME	ISS.	DATE	C/NOTE
APPROVED:		S.BENNETT	
CHECKED:		S.FLOWER	
DRAWN:		R.ADDE	
CUSTOMER REF.:			
ASSEMBLY DRG:			

SHELL SIZE	DIM 'A'	DIM 'B'	THREAD 'C'	DIM 'D'	DIM 'E' +0.4 -0.0	DIM 'F' +0.4 -0.0
10SL	Ø15.75	18.25	5/8-24UNEF	25.65	25.40	Ø15.87
12S	Ø17.17	20.62	3/4-20UNEF	28.02	27.80	Ø19.05
14S	Ø18.92	23.02	7/8-20UNEF	30.40	30.17	Ø22.22

HARWIN

www.harwin.com
technical@harwin.com

THIS DRAWING AND ANY INFORMATION OR DESCRIPTIVE MATTER SET OUT HEREON ARE CONFIDENTIAL AND COPYRIGHT PROPERTY OF THE HARWIN GROUP AND MUST NOT BE DISCLOSED, LOANED, COPIED OR USED FOR MANUFACTURING, TENDERING OR FOR ANY OTHER PURPOSE WITHOUT THEIR WRITTEN PERMISSION.

TOLERANCES

X. = ±1mm
X.X = ±0.25mm
X.XX = ±0.10mm
X.XXX = ±0.01mm
ANGLES = ±5°
UNLESS STATED

MATERIAL:

SEE ABOVE

FINISH: SEE ABOVE

S/AREA:

mm²

TITLE:

PANEL MOUNT CONNECTOR

DRAWING NUMBER:

C90-3102RXXSX-XX

SHT 2 OF 2