

THIS DRAWING IS UNPUBLISHED.

RELEASED FOR PUBLICATION

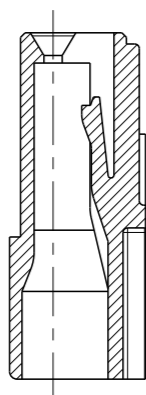
20

© COPYRIGHT 20 BY -

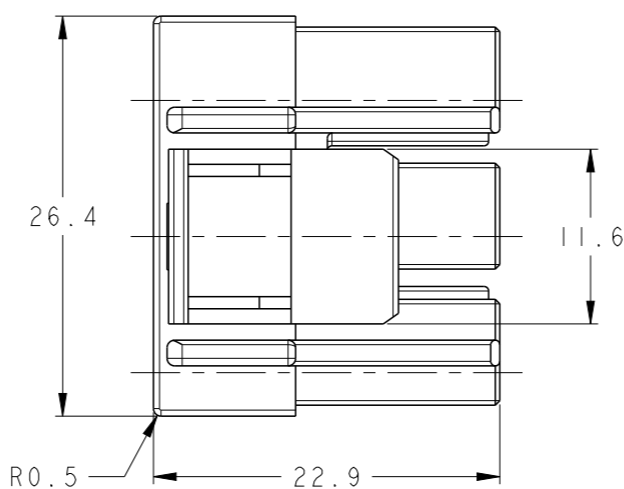
ALL RIGHTS RESERVED.

REVISIONS

P	LTR	DESCRIPTION	DATE	DWN	APVD
	F2	ECR-17-005372	13APR2017	SC	BH



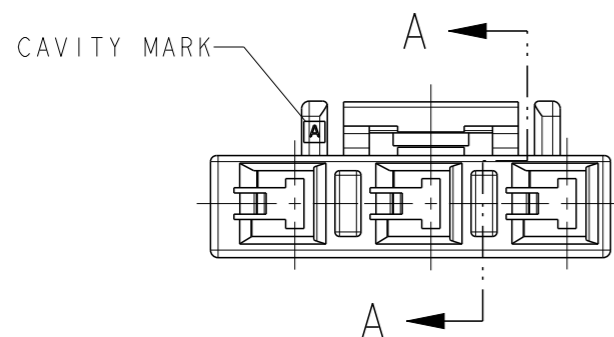
SECTION D-D



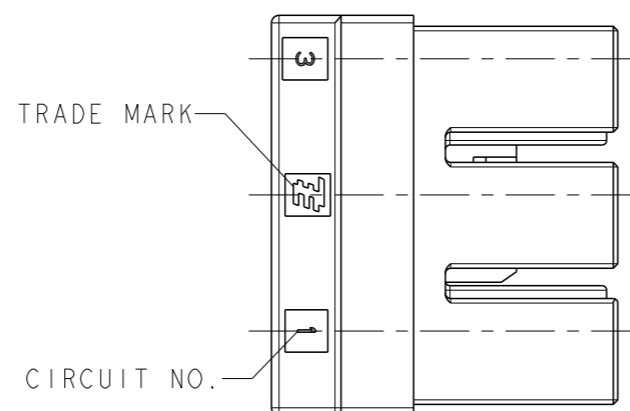
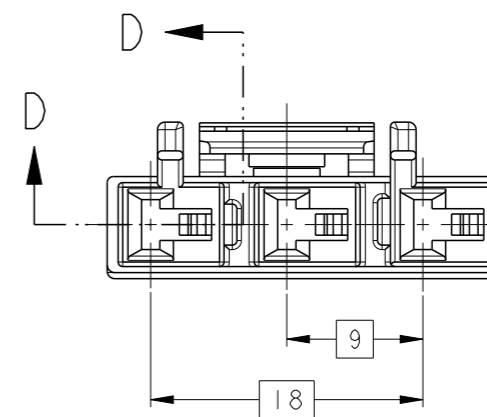
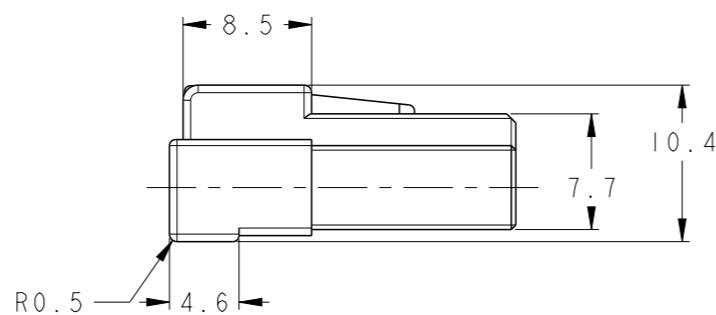
NOTES

⚠ MATING CONN. P/N
 HDR ASSEMBLY: SEE TABLE
 REC CONTACT: 1746971-1
 : 1743972-1

2 PART MEETS WITH GWT 750°C



SECTION A-A



2-1903415-1	BLUE	2-1903414-1
1-1903415-1	RED	1-1903414-1
1903415-1	NATURAL	1903414-1
⚠ MATING CONN.P/N	COLOR	PART NUMBER

THIS DRAWING IS A CONTROLLED DOCUMENT.

DIMENSIONS:	TOLERANCES UNLESS OTHERWISE SPECIFIED:
mm	
	0 PLC ±0.3
	1 PLC ±0.3
	2 PLC ±0.3
	3 PLC ±0.2
	4 PLC ±0.2
	ANGLES ±3°
MATERIAL	FINISH
PA66 GF UL94 V-0	-

DWN	A.HIROTA	07FEB2006
CHK	N.YAMASAKI	07FEB2006
APVD	N.YAMASAKI	07FEB2006
PRODUCT SPEC	108-78357	
APPLICATION SPEC	114-5356	
WEIGHT	-	

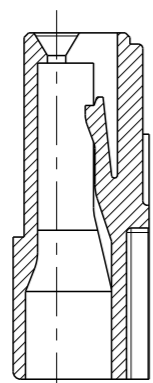


NAME
 GRACE HI-CURRENT(GHC)
 9.0mm 3POS PLUG HOUSING

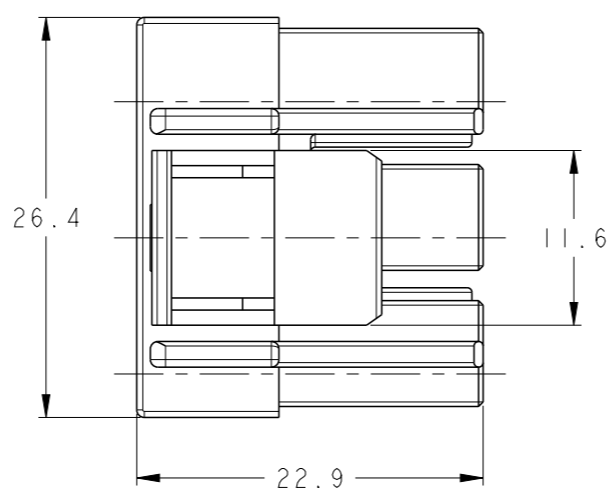
SIZE	CAGE CODE	DRAWING NO	RESTRICTED TO
A3	00779	C-1903414	-

CUSTOMER DRAWING	SCALE	2:1	SHEET	1 OF 2	REV	F2
------------------	-------	-----	-------	--------	-----	----

P	LTR	DESCRIPTION	DATE	DWN	APVD
		SEE SHEET 1			



SECTION D-D

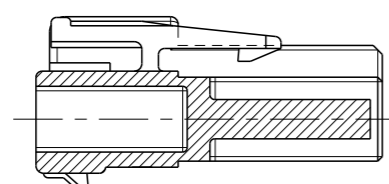
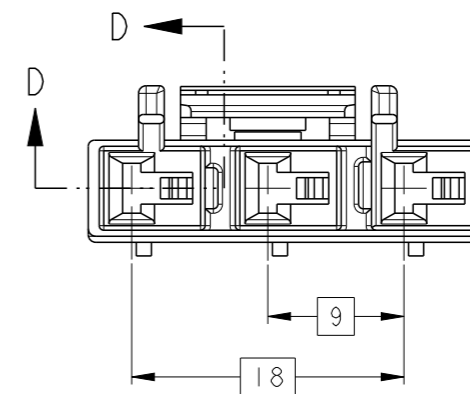
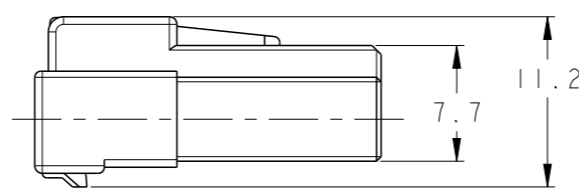
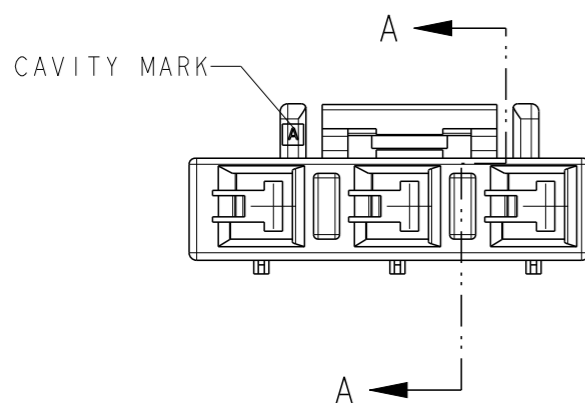


NOTES

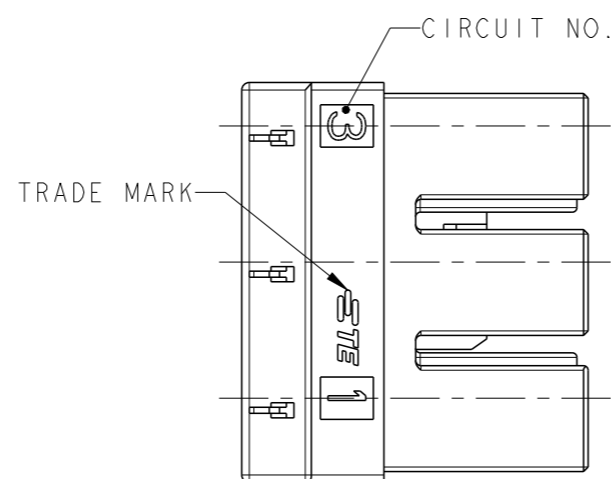
⚠ MATING CONN. P/N
 HDR ASSEMBLY: SEE TABLE
 REC CONTACT: 1746971-1
 : 1743972-1

2 PART MEETS WITH GWT 750°C


3 APPLICABLE TPA P/N: 2232563-1



SECTION A-A



2-1903415-1	BLUE	2-1903414-2
1-1903415-1	RED	1-1903414-2
1903415-1	NATURAL	1903414-2
⚠ MATING CONN. P/N	COLOR	PART NUMBER

THIS DRAWING IS A CONTROLLED DOCUMENT.		DWN SC KIM 26OCT2016	 TE Connectivity	
DIMENSIONS: mm		CHK BH CHO 26OCT2016		
TOLERANCES UNLESS OTHERWISE SPECIFIED:		APVD BW KANG 26OCT2016	NAME GRACE HI-CURRENT(GHC) 9.0mm 3POS PLUG HOUSING	
0 PLC ±0.3 1 PLC ±0.3 2 PLC ±0.3 3 PLC ±0.2 4 PLC ±0.2 ANGLES ±3°		PRODUCT SPEC 108-78357	RESTRICTED TO	
MATERIAL PA66 GF UL94 V-0		FINISH -	APPLICATION SPEC 114-5356	SIZE A3
		WEIGHT -	CAGE CODE 00779	DRAWING NO C-1903414
		CUSTOMER DRAWING	SCALE 2:1	SHEET 2 OF 2
				REV F2