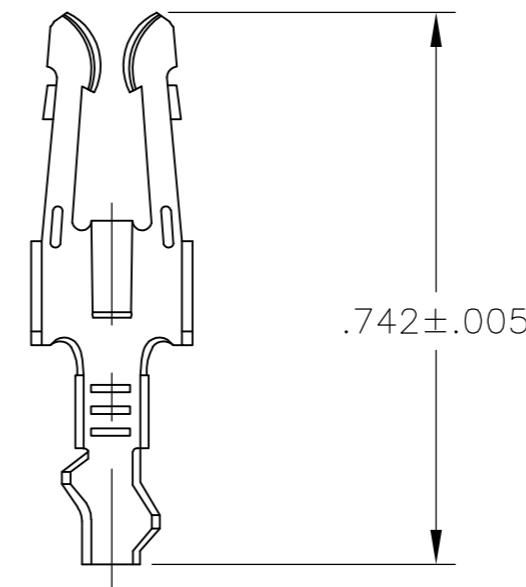
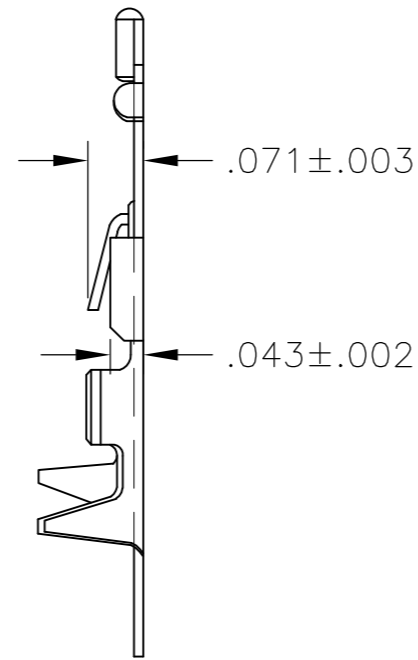
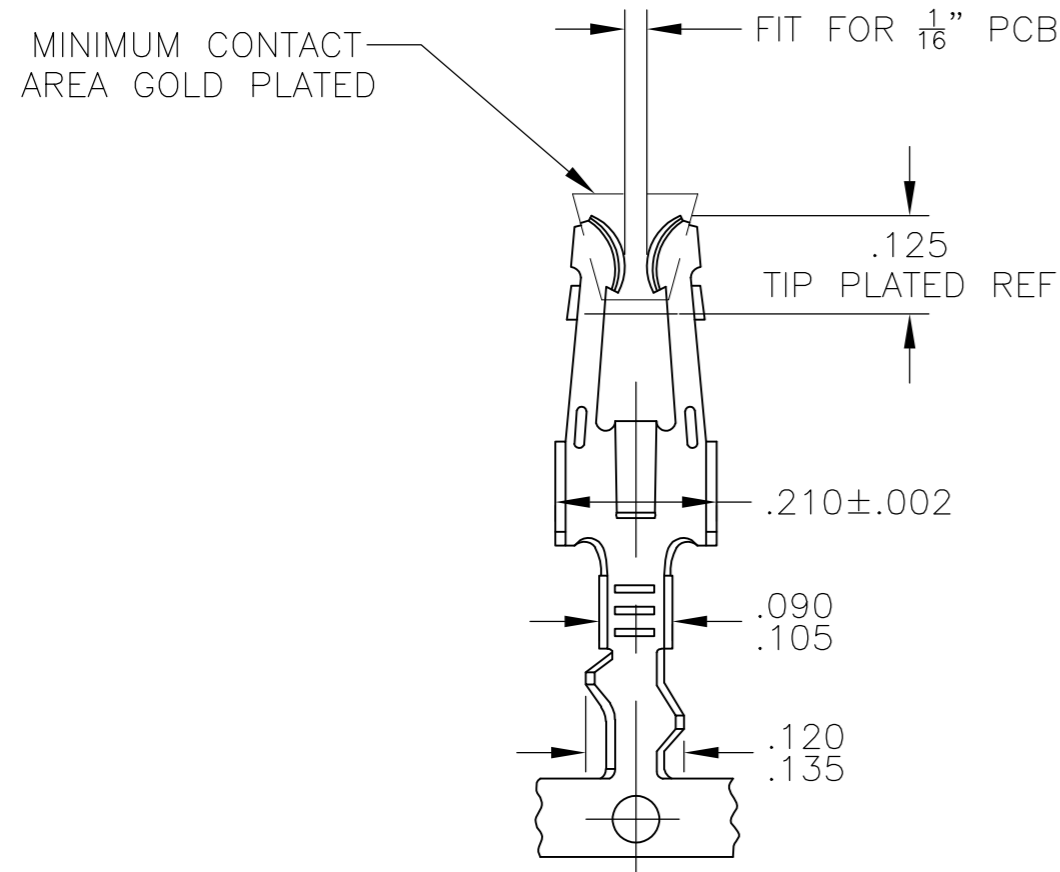


THIS DRAWING IS UNPUBLISHED. RELEASED FOR PUBLICATION
 © COPYRIGHT BY TYCO ELECTRONICS CORPORATION. ALL RIGHTS RESERVED.

LOC	DIST	REVISIONS					
AD	00	P	LTR	DESCRIPTION	DATE	DWN	APVD
		G		ECO-05-004683	16JAN06	BSV	MM
		G1		REV PER ECO-09-021510	12SEP09	KK	AEG



LOOSE PIECE

1. WIRE SIZE: #24-#20 AWG.
 INS. RANGE : .050-.090 DIA

2 MATTE TIN PLATE IN CRIMP AREA.

3 OBSOLETE PARTS: OBSOLETE CIS STREAMLINING PER D.RENAUD/D.SINISI

	NICKEL PLATE ALL OVER, TIP PLATE .000015 THICK GOLD.REELING L-R FEED FOR MINI-APPLICATOR.	3 5-583261-3	2 5-583259-4
	NICKEL PLATE ALL OVER, TIP PLATE .000015 THICK GOLD.REELING L-R FEED FOR MINI-APPLICATOR.	3 5-583261-2	2 5-583259-3
	TIN REELING L-R FEED FOR MINI APPLICATOR.	3 5-583261-1	2 5-583259-2
OBSOLETE	TIN REELING L-R FEED FOR STRIPPER CRIMPER.	583261-2	583259-5
	NICKEL PLATE ALL OVER, TIP PLATE .000015 THICK GOLD.REELING L-R FEED FOR MINI-APPLICATOR.	3 583261-3	583259-4
	NICKEL PLATE ALL OVER, TIP PLATE .000015 THICK GOLD.REELING L-R FEED FOR MINI-APPLICATOR.	3 583261-2	583259-3
	TIN REELING L-R FEED FOR MINI APPLICATOR.	3 583261-1	583259-2
	FINISH	LOOSE PIECE	PART NO.

THIS DRAWING IS A CONTROLLED DOCUMENT.		DWN	-	Tyco Electronics Corporation Harrisburg, Pa 17105-3608	
DIMENSIONS: INCHES		CHK	-	NAME	
TOLERANCES UNLESS OTHERWISE SPECIFIED:		APVD	-	PRODUCT SPEC	
0 PLC ± -				APPLICATION SPEC	
1 PLC ± -				SCALE	
2 PLC ± -				CAGE CODE	
3 PLC ± -				DRAWING NO	
4 PLC ± -				RESTRICTED TO	
ANGLES ± -				SIZE	
FINISH		WEIGHT		A2 00779 C=583259	
PHOS. BRONZE		SEE TABLE		SCALE 4:1 SHEET 1 OF 1 REV G1	
		CUSTOMER DRAWING			

583259