

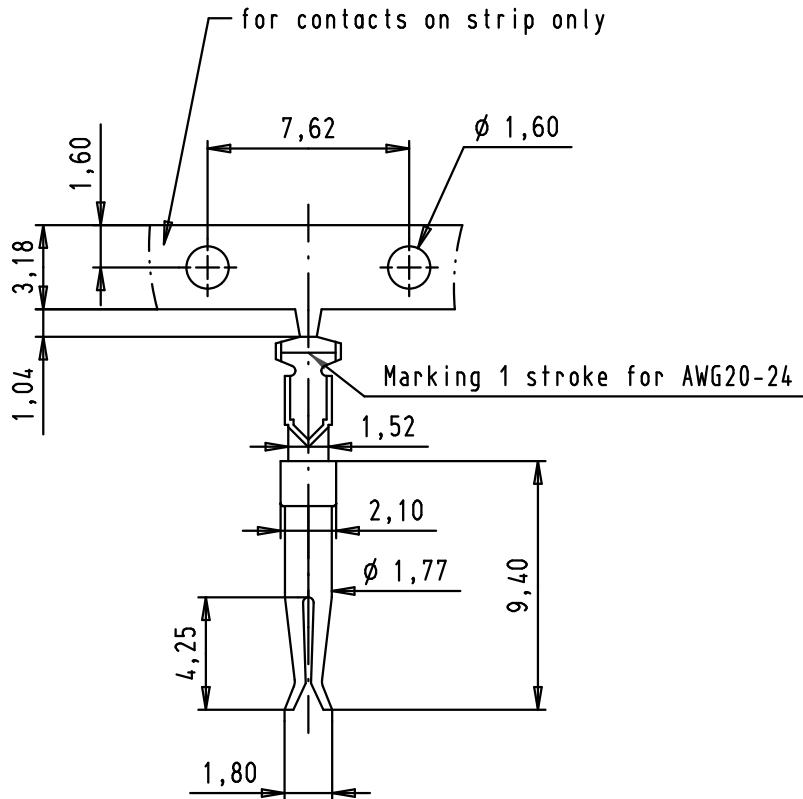
5

4

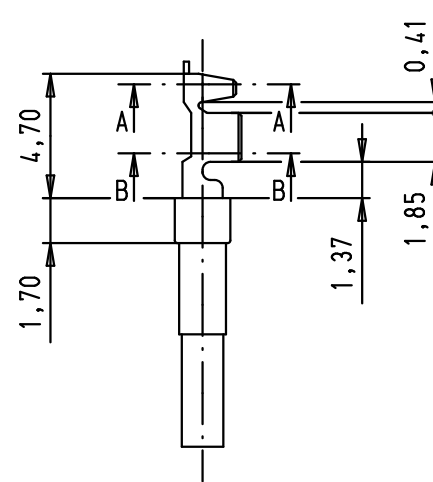
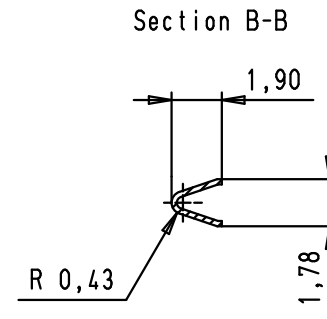
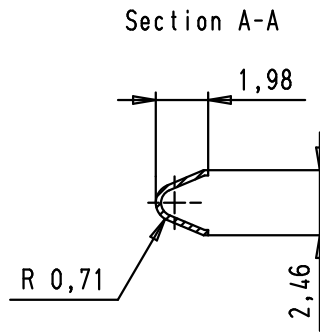
3

2

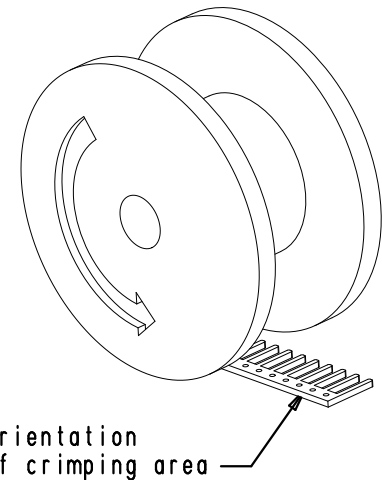
1



Base material: brass
 Plating: sliding contact selective gold plated over nickel
 nickel plated crimp area
 Number of contacts per reel: 500



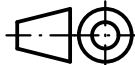

Reel unrolling left



orientation of crimping area

A

09 67 000 8268	PL2
09 67 000 8267	PL3
09 67 000 8266	PL1
Part number	Performance level

				Dat.	Name	 All Dim. in mm Orig. Size DIN A 4
			Detail.	24/03/03	PP	
			Insp.	13/01/12	JB	
			Stand.			
36288	13/01/12	SD	HARTING EURL F-95972 Paris			
33937	01/03/07	PK				
31476	24/03/03	PP				
Mod.	Dat.	Name				Sub.

D-Sub, stamped female
 AWG 20-24 crimp contact,
 reel unrolling left

TB 09 67 000 826X

Maßstab/
 Scale
 3,5:1
 Blatt/ Page
 1 / 1