

NOTES:

1.0 MATERIALS:

- 1.1 HOUSING: STAINLESS STEEL PER ASTM-A582, TYPE 303.
- 1.2 CENTER CONTACT: BERYLLIUM COPPER ROD ALLOY C172, PER ASTM-B196.
- 1.3 DIELECTRIC: PTFE FLUOROCARBON PER ASTM-D1457.

2.0 PLATING:

- 2.1 HOUSING: PASSIVATED PER MIL-F-14072 AND QQ-P-35
- 2.2 CENTER CONTACT: GOLD PER MIL-G-45204, TYPE II, CLASS 2.

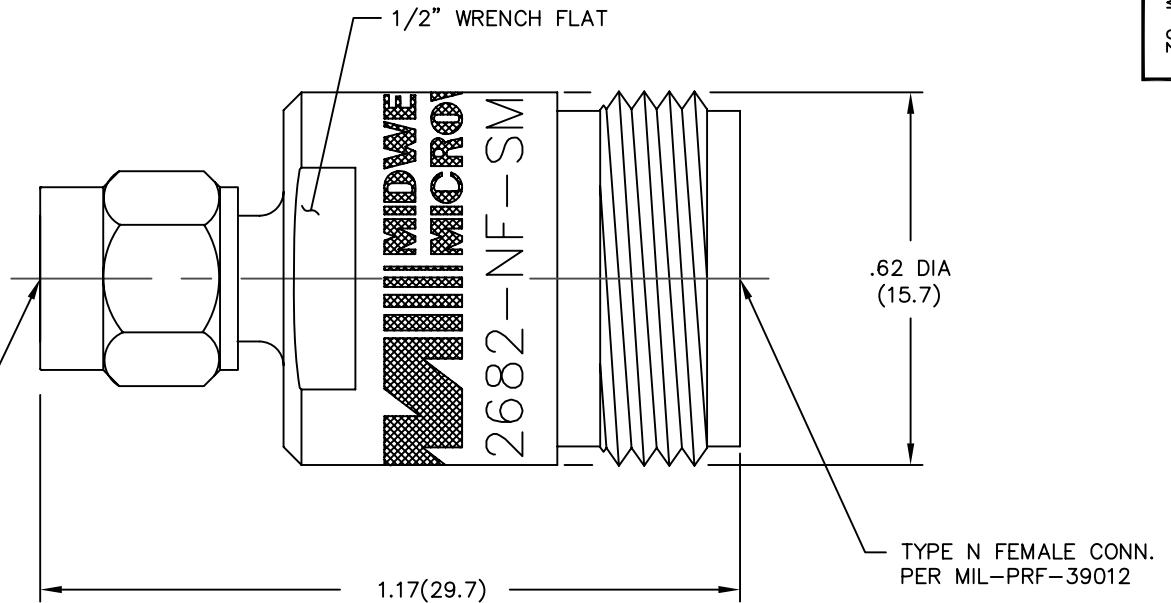
3.0 ELECTRICAL SPECIFICATIONS:

- 3.1 FREQUENCY RANGE: DC to 18.0 GHz
- 3.2 VSWR: 1.25:1 MAX.
- 3.3 IMPEDANCE: 50 OHMS

4.0 DIMENSIONS IN PARENTHESIS ARE IN MILLIMETERS.

5.0 MARKING: MARK UNIT AS SHOWN (REF.: INK-04390-27-03)

SMA MALE CONN.  
PER MIL-PRF-39012



DWG NO WAS: 04050-01-00

REV.	DESCRIPTION	DATE
I	RELEASED	6/17/82
A	ECR 1760	10/12/82
B	ECR 6545	7/10/88
B1	UPDATE MOD. NO.	8/4/92
C	REDRAW ON CAD	4/29/93
C1	ADDED TITLEBLOCK	3/15/05

NOTICE: The information contained in this drawing is proprietary and must not be used without the permission of Emerson Network Power.

UNLESS OTHERWISE NOTED DIMENSIONS ARE IN INCHES AND TOLERANCES ARE:  
 3 PLACE DECIMALS ±.005  
 2 PLACE DECIMALS ±.02  
 FRACTIONS ±1/64  
 PARALLELITY: T.I.R.  
 FLATNESS: T.I.R.  
 CONCENTRICITY: T.I.R.  
 ANGLES AND PERPENDICULARITY: ±1'

CAGE CODE <b>34078</b>		<b>MIDWEST MICROWAVE</b>	
 <b>EMERSON</b> Network Power Connectivity Solutions		TITLE ADAPTER TYPE N FEMALE TO SMA MALE OUTLINE DRAWING	
		DRAWING NUMBER ADT-2682-NF-SMM-02-01	REV. C1
DRAWN/DATE A.BEATTY 4/29/94 CHECKED/DATE M.HOLLMAN 5/7/93	ENG./DATE A.OSGA 5/11/03 APPROVED/DATE	SCALE: 5=1	SHEET 1 of 1