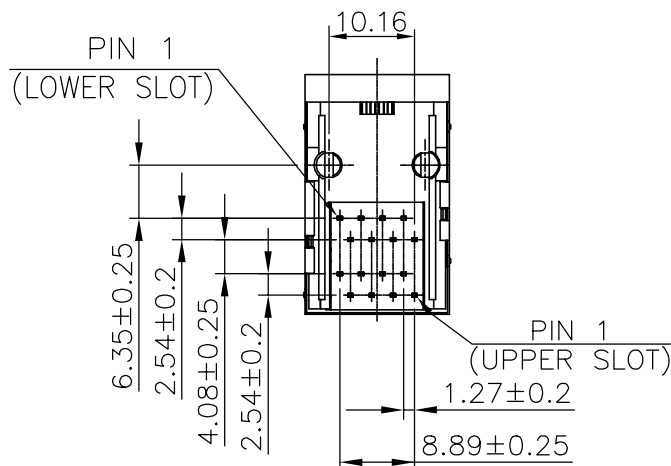
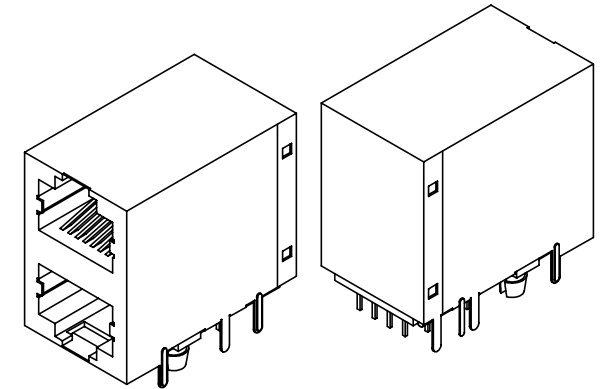
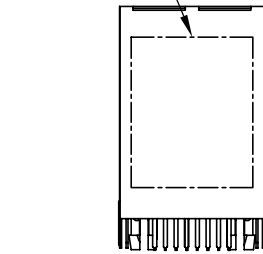
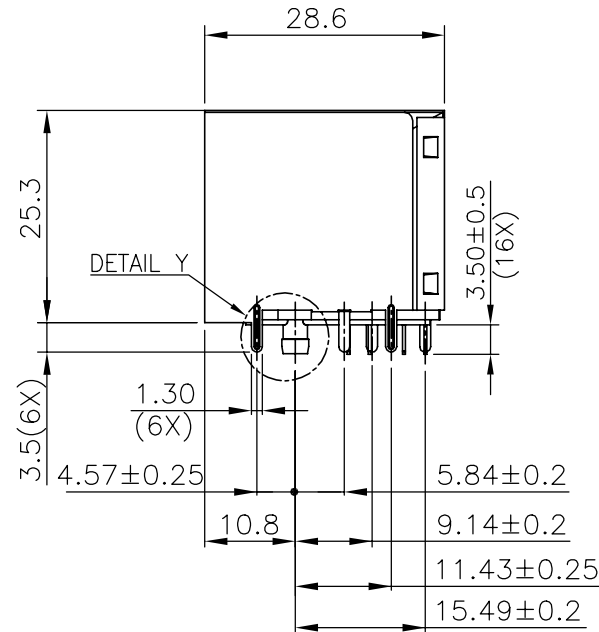
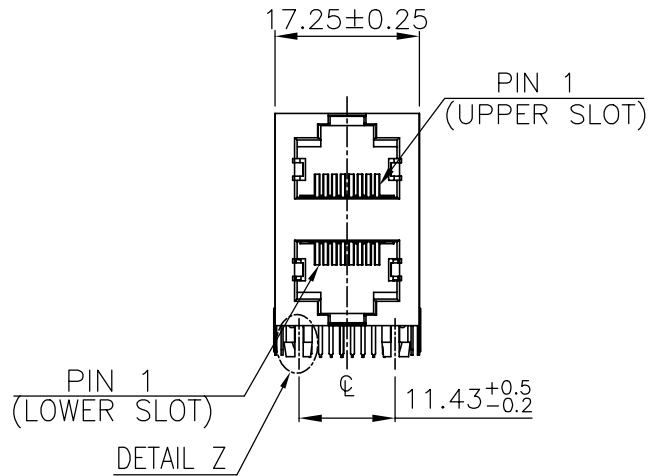


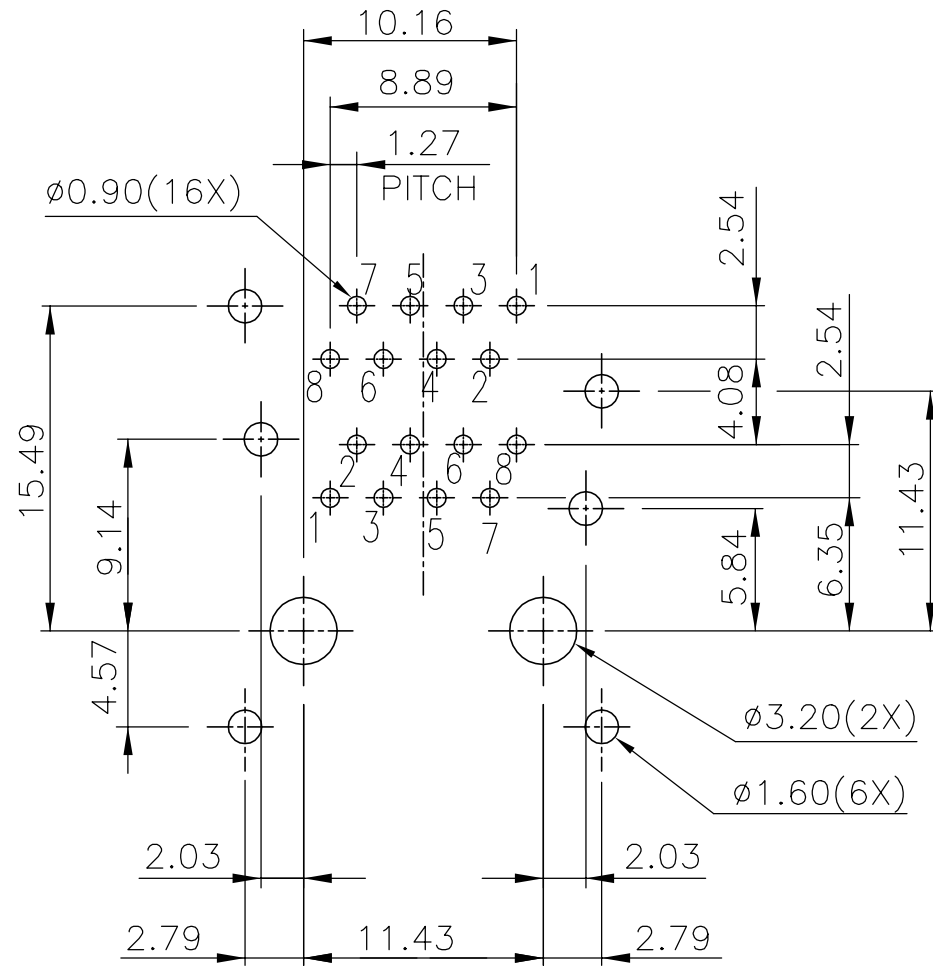
LOGO(SEE NOTE 3)

PRINT P/N & DATE CODE
(SEE NOTE 4)

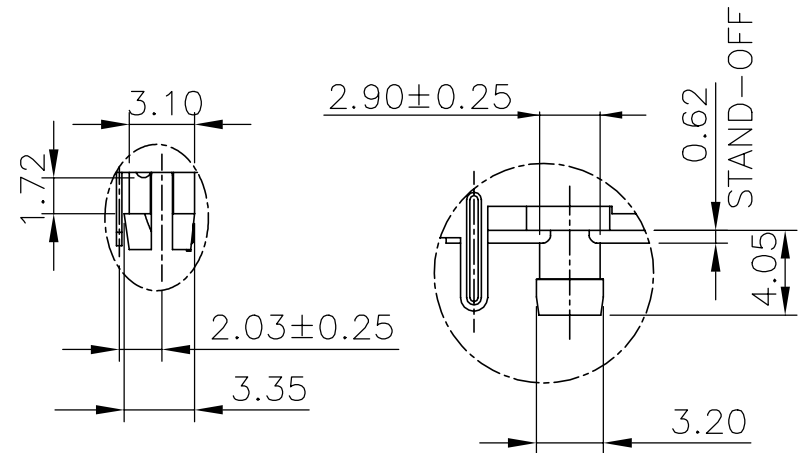


mat'l. code		surface ASME Y14.5 ✓		tolerance ASME Y14.5		projection MM [INCH]		product family GANGED MJACK	
ltr	ecn no	dr	date	tolerances unless otherwise specified		title		CAT 3 MULTIPORT STACKED 2x1 WITH SHIELD, W/O LED	
A	-	WL	11/04/11	angles	X.X±0.25	scale		dwg no	
B	ECN-ELX-N-009385	A,ZH	01/05/12	±1°	X.XX±0.13			sheet 1 of 3 size	
				dr		WENDY CHEN		05/03/11	
				enr		WENDY CHEN		05/03/11	
				chr		WENDY CHEN		05/03/11	
				appd		GARY HSIEH		05/03/11	
sheet index		revision sheet		B				type	
		1						CUSTOMER Drawing	





RECOMMENDED PCB LAYOUT
RECOMMENDED PCB THICKNESS: 1.6mm
TOLERANCE: ± 0.05 mm (TOP VIEW)



DETAIL Z
SCALE 2:1

DETAIL Y
SCALE 2:1

mat'l. code		surface ASME Y14.5 ✓		tolerance ASME Y14.5		projection [Symbol]		product family GANGED MJACK	
ltr		ecn no		dr		date		title CAT 3 MULTIPORT STACKED 2x1 WITH SHIELD, W/O LED	
B								sheet 2 of 3	
		angles		X.X ± 0.25		MM [INCH]		size A4	
		tolerances unless otherwise specified		X.XX ± 0.13		scale		dwg no 10118069	
		X* ± 1*		X.XXX ± 0.05		FCI		type CUSTOMER Drawing	
		dr		WENDY CHEN		05/03/11		sheet 2 of 3	
		enr		WENDY CHEN		05/03/11		size A4	
		chr		WENDY CHEN		05/03/11		type CUSTOMER Drawing	
		appd		GARY HSIEH		05/03/11		type CUSTOMER Drawing	
sheet index		revision sheet							

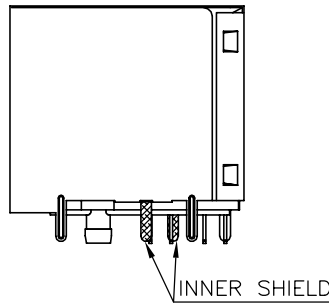
NOTE:

1. MATERIAL:
HOUSING & INNER HOUSING & COVER:
HIGH TEMPERATURE THERMOSPLASTIC, UL94V-0, COLOR: BLACK.
CONTACTS: COPPER ALLOY.
SHIELD: COPPER ALLOY.
INNER SHIELD: COPPER ALLOY.
2. FINISH:
CONTACTS: 50u" MIN. NICKEL UNDER PLATED OVER ALL.
SELECTIVE GOLD PLATED ON CONTACT AREA,
1u" GOLD PLATED ON SOLDER TAIL.
SHIELD & INNER SHIELD: 20u" MIN. NICKEL OVER ALL.
3. LASER MARK FCI LOGO ON THE TOP OF SHIELD.
4. "DATE CODE" DESCRIPTION:

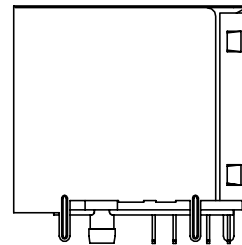
XX	XX	
	WEEK	
YEAR (EX. : 10--2010)		
5. PRODUCT PERFORMANCE PER SPEC. : GS-12-0990.
6. PACKING SPEC. : GS-14-2170.
7. THIS PRODUCT MEETS THE EUROPEAN UNION DIRECTIVE AS DESCRIBED IN GS-22-008.
8. THE HOUSING WILL WITHSTAND EXPOSURE TO 260°C PEAK TEMPERATURE FOR 5 SECONDS IN A WAVE SOLDER APPLICATION WITH A CIRCUIT BOARD.

9. PART NUMBER DESCRIPTION:

- 10118069-X X X X X X X LF
- LEAD FREE
 - 0 : RESERVED (NOT USED)
 - PACKAGING
 - 1 : TRAY
 - OPTIONAL BACK SHIELD TAB
 - 0 : WITHOUT BACK SHIELD TAB
 - OPTIONAL RIGHT / LEFT SHIELD TAB
 - A : SHIELD TAB WITH INNER SHIELD
 - B : SHIELD TAB WITHOUT INNER SHIELD
 - OPTIONAL PANEL GROUND
 - 0 : WITHOUT PANEL GROUND
 - LED COLOR
 - 0 : WITHOUT LED
 - CONTACT AREA PLATING
 - 1 : 15u" GOLD PLATING
 - 2 : 30u" GOLD PLATING
 - 5 : 1u" GOLD FLASH PLATING



10118069-XXXAXXXLF
(WITH INNER SHIELD)



10118069-XXXBXXLF
(WITHOUT INNER SHIELD)

mat'l. code		surface ASME Y14.5 ✓	tolerance ASME Y14.5	projection ⊕	product family GANGED MJACK
ltr	ecn no	dr	date	tolerances unless otherwise specified	title CAT 3 MULTIPORT STACKED 2x1 WITH SHIELD, W/O LED
B				angles X.X±0.25 X.XX±0.13 X*±1"	
				scale MM [INCH]	dwg no 10118069 sheet 3 of 3 size A4
				dr WENDY CHEN 05/03/11 enr WENDY CHEN 05/03/11 chr WENDY CHEN 05/03/11 appd GARY HSIEH 05/03/11	
sheet index	revision sheet				type CUSTOMER Drawing