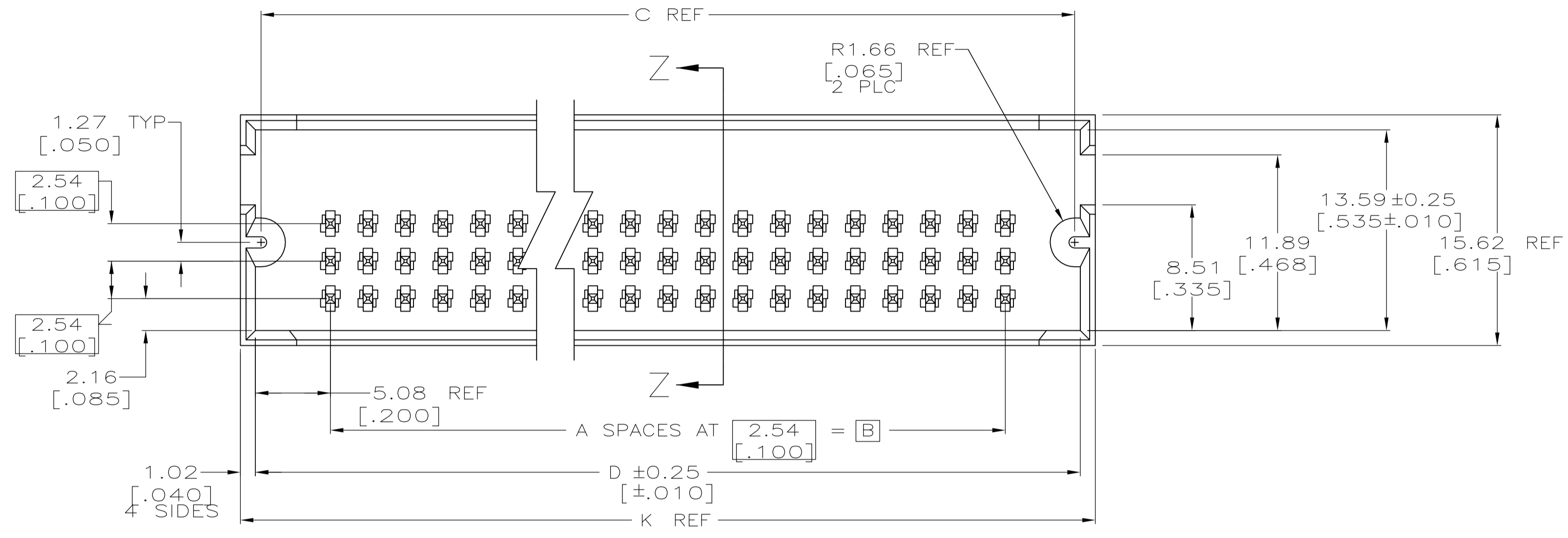
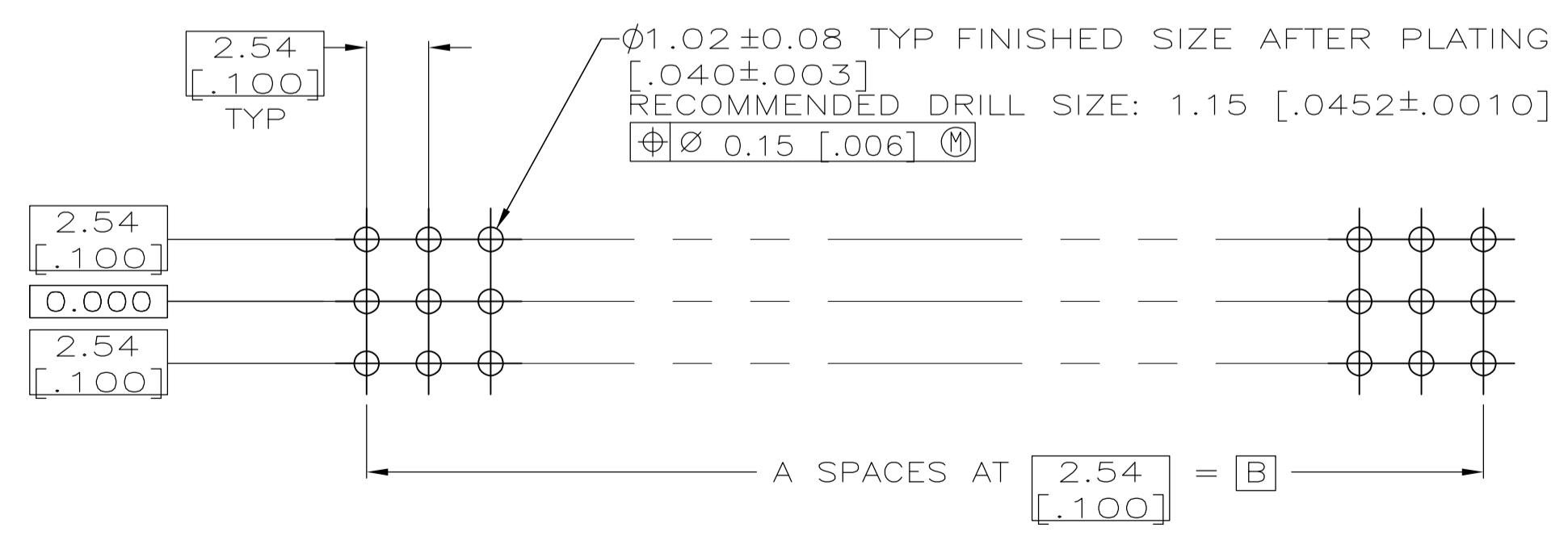
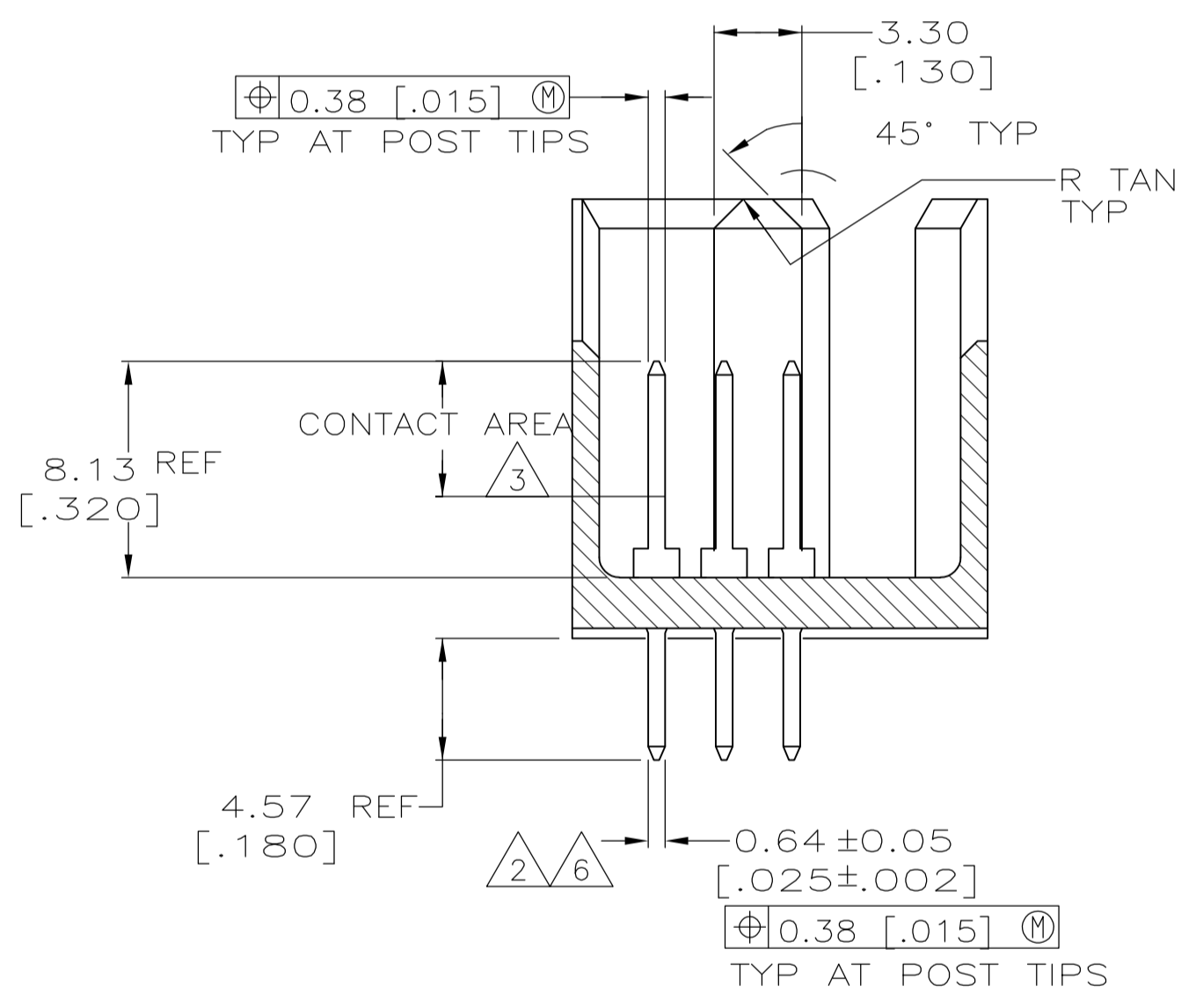
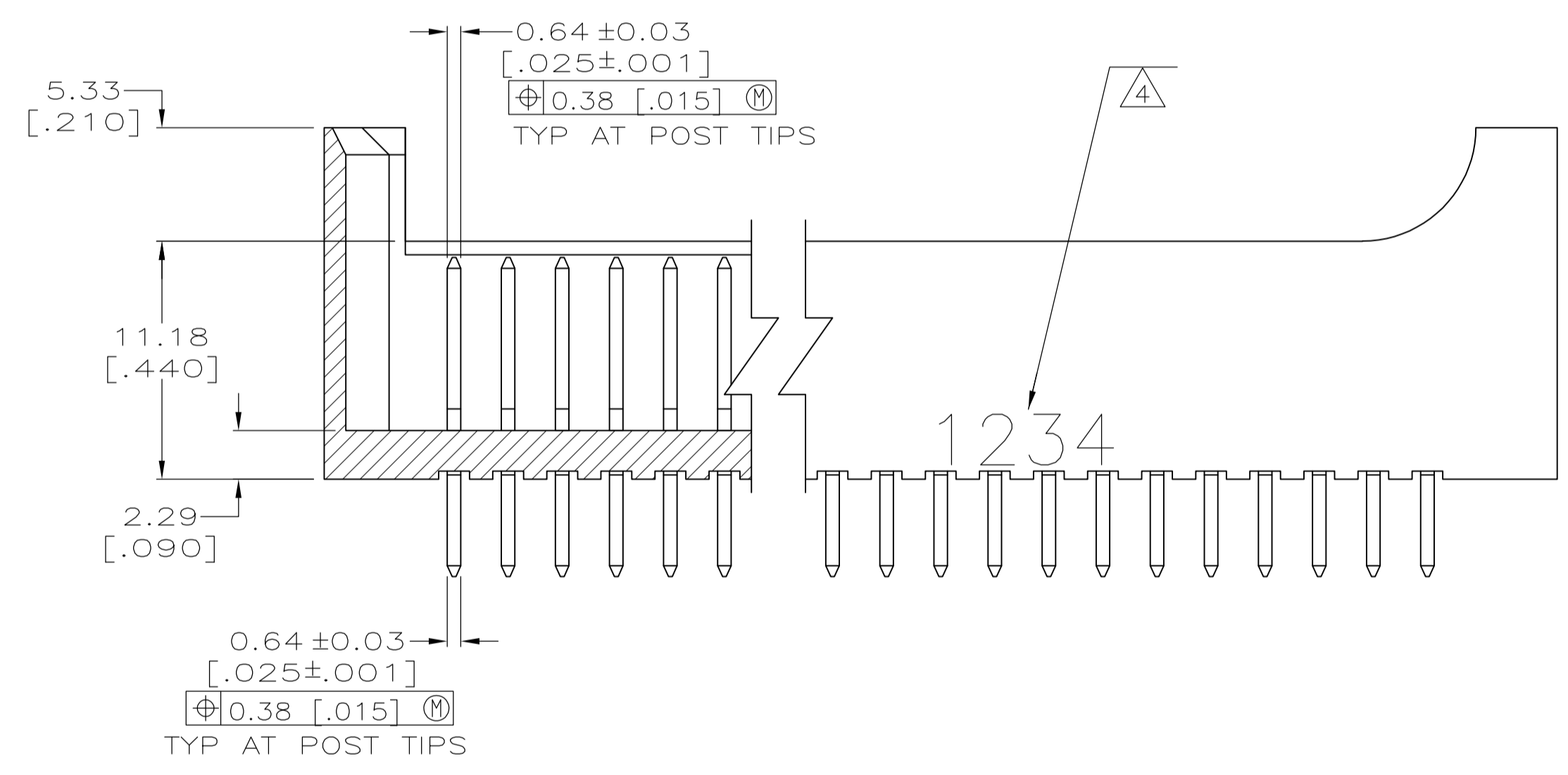


LOC		DIST		REVISIONS			
P	LTR	DESCRIPTION	DATE	DWN	APVD		
L1		ECO-05-7481	14FEB06	MB	JO		
L2		REVISED PER ECO-09-020932	24AUG09	KK	AEG		



- 1 HOUSING: GLASS FILLED NYLON; COLOR: BLACK. POST: COPPER ALLOY.
- 2 FINISH OVER INDICATED AREA:[.000100-.000200] BRIGHT TIN-LEAD OVER 0.00127 [.000050] NICKEL.
- 3 CONTACT AREA: 0.00076 [.000030] GOLD OVER 0.00127 [.000050] NICKEL.
- 4 RECESSED DATE CODE AND CSA LOGO
- 5 PRELIMINARY PART - NOT RELEASED FOR PRODUCTION
- 6 FINISH OVER INDICATED AREA:[.000100-.000200] MATTE TIN OVER 0.00127 [.000050] NICKEL.
- 7 ROHS 2002/95/EC COMPLIANT
- 8 OBSOLETE PARTS: OBSOLETE CIS STREAMLINING PER D.RENAUD/D.SINISI



FINISH	E	D	C	B	A	NO OF POSN	PART NUMBER
OBSOLETE	47.75 [1.880]	45.72 [1.800]	44.96 [1.770]	35.56 [1.400]		14	45 7 6-103264-0
OBSOLETE	45.21 [1.780]	43.18 [1.700]	42.42 [1.670]	33.02 [1.300]		13	42 7 5-103264-9
OBSOLETE	50.29 [1.980]	48.26 [1.900]	47.50 [1.870]	38.10 [1.500]		15	48 7 5-103264-8
OBSOLETE	40.12 [1.580]	38.10 [1.500]	37.34 [1.470]	27.94 [1.100]		11	36 7 5-103264-7
OBSOLETE	174.75 [6.880]	172.72 [6.800]	171.96 [6.770]	162.56 [6.400]		64	195 7 5-103264-6
OBSOLETE	111.25 [4.380]	109.22 [4.300]	108.46 [4.270]	99.08 [3.900]		39	120 7 5-103264-5
OBSOLETE	187.45 [7.380]	185.42 [7.300]	184.66 [7.270]	175.26 [6.900]		69	210 7 5-103264-4
OBSOLETE	136.65 [5.380]	134.62 [5.300]	133.86 [5.270]	124.46 [4.900]		49	150 7 5-103264-3
OBSOLETE	98.55 [3.880]	96.52 [3.800]	95.76 [3.770]	86.36 [3.400]		34	105 7 5-103264-2
OBSOLETE	70.61 [2.780]	68.58 [2.700]	67.82 [2.670]	58.42 [2.300]		23	72 7 5-103264-1
OBSOLETE	47.75 [1.880]	45.72 [1.800]	44.96 [1.770]	35.56 [1.400]		14	45 5 1-103264-0
OBSOLETE	45.21 [1.780]	43.18 [1.700]	42.42 [1.670]	33.02 [1.300]		13	42 5 103264-9
OBSOLETE	50.29 [1.980]	48.26 [1.900]	47.50 [1.870]	38.10 [1.500]		15	48 5 103264-8
OBSOLETE	40.12 [1.580]	38.10 [1.500]	37.34 [1.470]	27.94 [1.100]		11	36 103264-7
OBSOLETE	174.75 [6.880]	172.72 [6.800]	171.96 [6.770]	162.56 [6.400]		64	195 103264-6
OBSOLETE	111.25 [4.380]	109.22 [4.300]	108.46 [4.270]	99.08 [3.900]		39	120 103264-5
OBSOLETE	187.45 [7.380]	185.42 [7.300]	184.66 [7.270]	175.26 [6.900]		69	210 103264-4
OBSOLETE	136.65 [5.380]	134.62 [5.300]	133.86 [5.270]	124.46 [4.900]		49	150 103264-3
OBSOLETE	98.55 [3.880]	96.52 [3.800]	95.76 [3.770]	86.36 [3.400]		34	105 103264-2
OBSOLETE	70.61 [2.780]	68.58 [2.700]	67.82 [2.670]	58.42 [2.300]		23	72 103264-1

THIS DRAWING IS A CONTROLLED DOCUMENT. TOLERANCES UNLESS OTHERWISE SPECIFIED: INCHES: 0.001

APVD: K.L. CLOUSER/UTA 2/6/91
CHK: D. SARVER 6/19/91

NAME: Tyco Electronics Corporation
Harrisburg, PA 17105-3608

PRODUCT SPEC: HEADER ASSY, MOD II, TRIPLE ROW, 2.54 X 2.54 [.100 X .100] 0.64 [.025] SQ SOLDER PIN

APPLICATION SPEC: SIZE: A1 CAGE CODE: 00779 DRAWING NO: 103264

RESTRICTED TO: CUSTOMER DRAWING

SCALE: 4:1 SHEET 1 OF 1 REV 12