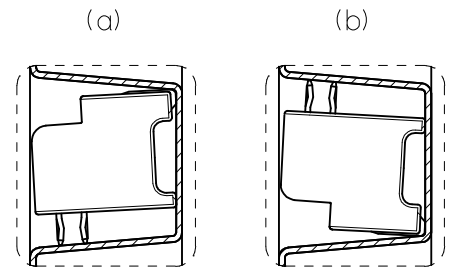


DETAIL A
(SCALE 2:1)



DETAIL B
(SCALE 2:1)

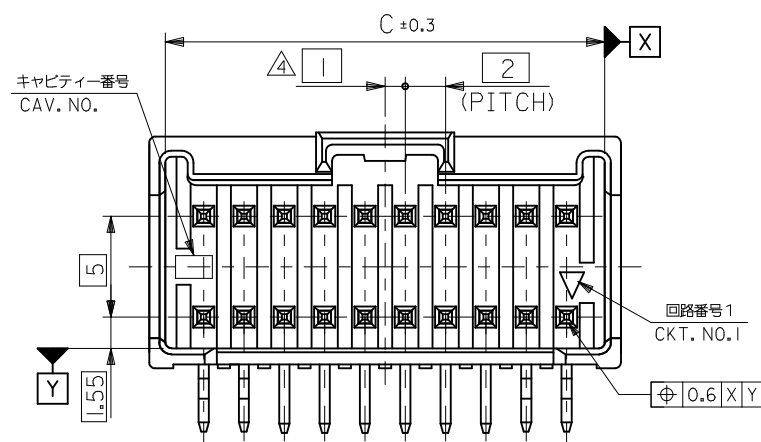
注記

1. 一般公差 : ±0.5
GENERAL TOLERANCES: ±0.5
 2. 各部の反りは2. OMAX.
WARP: 2.0MAX.
- ③ トレイの中の製品の向きは (a) 又は (b) とし、かつ同一トレイ中の製品の向きはどちらか一方で統一
PRODUCT DIRECTION SHOULD BE (a) OR (b).
ALL PRODUCTS MUST FACED THE SAME DIRECTION IN THE TRAY.

55959-**7*
55959-**3*
適用製品番号
APPLICABLE PART No.

RELEASED EC NO: J2009-0955 DRWN: YOKUZONO 2008/10/20 CHKD: HARUYAMA 2008/10/20 APPR: NUKITA 2008/10/20	GENERAL TOLERANCES (UNLESS SPECIFIED)		DIMENSION STYLE MM ONLY	SCALE 1:2	DESIGN UNITS METRIC	THIRD ANGLE PROJECTION
	10 UNDER	± ---	DRAWN BY Y. TOKUZONO	DATE 2008/10/17	TITLE TRAY FOR 55959 (2.0MM W-T-B DUAL CONN. DIP PLUG HOUSING ASS'Y)	
	10 OVER 30 UNDER	± ---	CHECKED BY T. HARUYAMA	DATE 2008/10/17	MOLEX INCORPORATED	
	30 OVER	± ---	APPROVED BY N. UKITA	DATE 2008/10/17	DOCUMENT NO. SD-55959-001	SHEET NO. 1 OF 1
0	ANGULAR DRAFT WHERE APPLICABLE MUST REMAIN WITHIN DIMENSIONS	± --- °	MATERIAL NO. 098910030	THIS DRAWING CONTAINS INFORMATION THAT IS PROPRIETARY TO MOLEX INCORPORATED AND SHOULD NOT BE USED WITHOUT WRITTEN PERMISSION		

10 9 8 7 6 5 4 3 2 1



注記 NOTES

- 材料 MATERIAL
 PIN : 黄銅, 錫メッキ
 HOUSING : PBT (ガラス入り: 15%), UL94V-0
- 嵌合相手 : 51353シリーズ
 MATE WITH : 51353 SERIES
- ソルダーテールキングは、両端の8ピンのみとする。
 KINK TO BE APPLIED FOR 8 PINS AT BOTH ENDS.

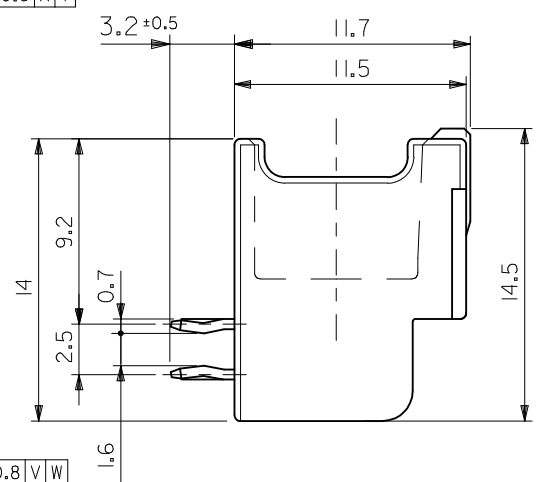
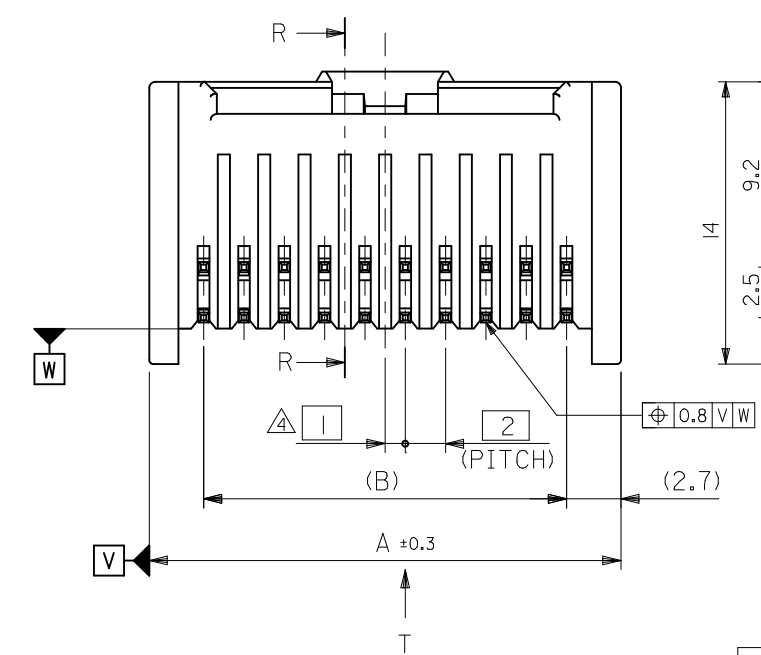
△ (全極数/2) = 偶数の場合に適用。
 APPLY FOR (CIRCUIT/2)=EVEN

△ 製品番号 MATERIAL NO.
 55959-***3*

極数 CIRCUIT SIZE 色 COLOR

6. ELV 及びRoHS適合品
 ELV AND RoHS COMPLIANT

ナチュラル (白) NATURAL (WHITE)	0
黒 BLACK	1
赤 RED	2
黄 YELLOW	3
青 BLUE	4
桃 PINK	5
緑 GREEN	6
茶 BROWN	7
橙 ORANGE	8
紫 VIOLET	9

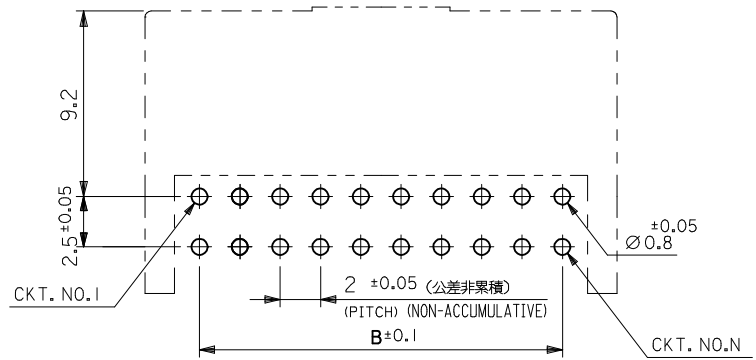


41.8	38	43.4	55959-403*	40
39.8	36	41.4	-383*	38
37.8	34	39.4	-363*	36
35.8	32	37.4	-343*	34
33.8	30	35.4	-323*	32
31.8	28	33.4	-303*	30
29.8	26	31.4	-283*	28
27.8	24	29.4	-263*	26
25.8	22	27.4	-243*	24
23.8	20	25.4	-223*	22
21.8	18	23.4	-203*	20
19.8	16	21.4	-183*	18
17.8	14	19.4	-163*	16
15.8	12	17.4	-143*	14
13.8	10	15.4	-123*	12
11.8	8	13.4	-103*	10
9.8	6	11.4	55959-083*	8

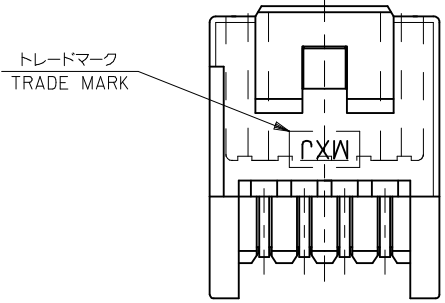
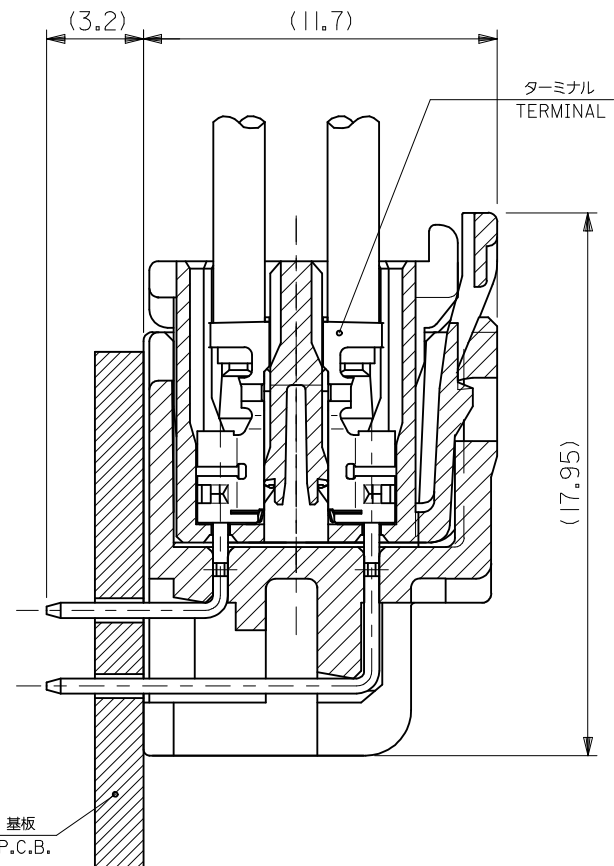
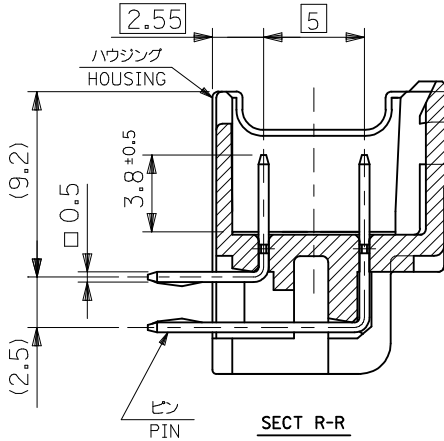
55959-***3*		C	B	A	△ MATERIAL NO.	CKT.
CONNECTOR SERIES NO.		ORDER NO.				

REVISED EC NO: J2014-1085 DRWN: YAJI MA01 2014/01/09 CHKD: APPR: NUKITA 2014/01/09	GENERAL TOLERANCES (UNLESS SPECIFIED)		DIMENSION STYLE MM ONLY		SCALE ---		DESIGN UNITS METRIC		THIRD ANGLE PROJECTION	
	10 UNDER	± 0.2	DRAWN BY		DATE		TITLE		2.0 W-B CONN. DUAL DIP PLUG HSG ASS'Y R/A -LEAD FREE- molex	
	10 OVER 30 UNDER	± 0.25	CHECKED BY		DATE					
	30 OVER	± 0.3	APPROVED BY		DATE					
	ANGULAR ± 3 °		MATERIAL NO.		DOCUMENT NO.		SHEET NO.			
DRAFT WHERE APPLICABLE MUST REMAIN WITHIN DIMENSIONS		SEE NOTES		SD-55959-003		1 OF 3				
SIZE A3		THIS DRAWING CONTAINS INFORMATION THAT IS PROPRIETARY TO MOLEX INCORPORATED AND SHOULD NOT BE USED WITHOUT WRITTEN PERMISSION								

9 8 7 6 5 4 3 2



基板取付け推奨寸法 (マウント面)
 RECOMMENDED P.C. BOARD
 HOLE DIMENSION
 (MOUNTING SIDE)
 (t = 1.2, 1.6)

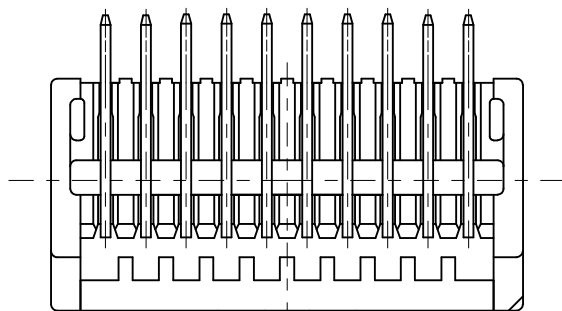


8 CIRCUIT

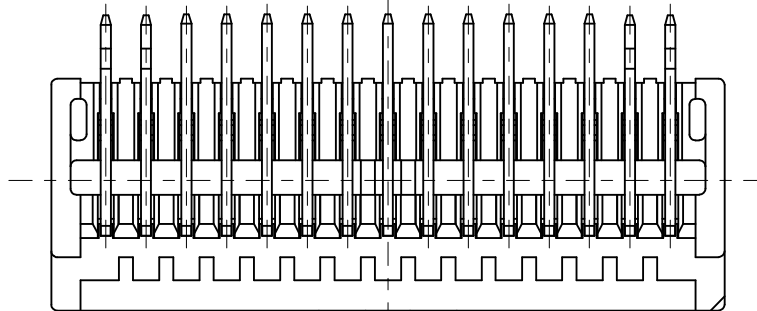
嵌合断面図 (参考)
 MATED DRAWING (REF.)

REVISED EC NO: J2014-1085 DRWN: TYAJ/MA01 2014/01/09 CHKD: APPR: NUK/ITA 2014/01/09 REV	GENERAL TOLERANCES (UNLESS SPECIFIED)		DIMENSION STYLE MM ONLY	SCALE ---	55959-***3	CONNECTION SERIES NO.
	10 UNDER	± 0.2	DRAWN BY	DATE	DESIGN UNITS METRIC	THIRD ANGLE PROJECTION
	10 OVER 30 UNDER	± 0.25	CHECKED BY	DATE	2.0 W-B CONN. DUAL DIP PLUG HSG ASS'Y R/A -LEAD FREE- molex	
	30 OVER	± 0.3	APPROVED BY	DATE		
	ANGULAR ± 3 °		MATERIAL NO.	SEE SHEET 1	DOCUMENT NO.	SD-55959-003
DRAFT WHERE APPLICABLE MUST REMAIN WITHIN DIMENSIONS		SIZE A3	THIS DRAWING CONTAINS INFORMATION THAT IS PROPRIETARY TO MOLEX INCORPORATED AND SHOULD NOT BE USED WITHOUT WRITTEN PERMISSION			

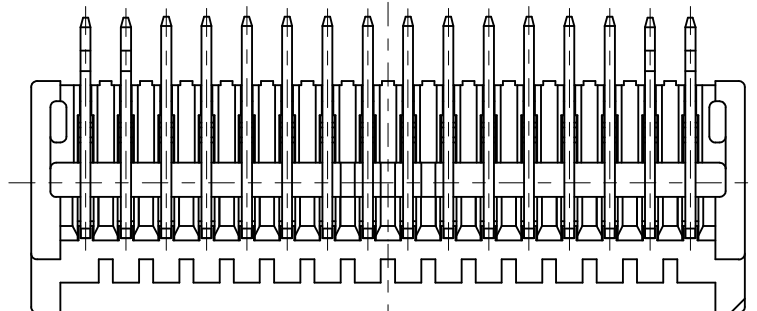
10 9 8 7 6 5 4 3 2 1



8-20 CIRCUIT



22,26,30,34,38 CIRCUIT



24,28,32,36,40 CIRCUIT

VIEW "T"

REVISED EC NO: J2014-1085 DRWN:TYAJ/MA01 2014/01/09 CHKD: APPR:NUK/ITA 2014/01/09	GENERAL TOLERANCES (UNLESS SPECIFIED)		DIMENSION STYLE MM ONLY		SCALE ---		55959-*** DESIGN UNITS METRIC		CONNECTOR SERIES NO.	
	10 UNDER ±0.2		DRAWN BY DATE		TITLE		2.0 W-B CONN. DUAL DIP PLUG HSG ASS'Y R/A -LEAD FREE- molex		SHEET NO. 3 OF 3	
	10 OVER 30 UNDER ±0.25		CHECKED BY DATE		APPROVED BY DATE					
	30 OVER ±0.3		MATERIAL NO.		DOCUMENT NO.					
ANGULAR ±3 °		DRAFT WHERE APPLICABLE MUST REMAIN WITHIN DIMENSIONS		SEE SHEET 1		SD-55959-003				
REV G		SIZE A3		THIS DRAWING CONTAINS INFORMATION THAT IS PROPRIETARY TO MOLEX INCORPORATED AND SHOULD NOT BE USED WITHOUT WRITTEN PERMISSION						

9 8 7 6 5 4 3 2