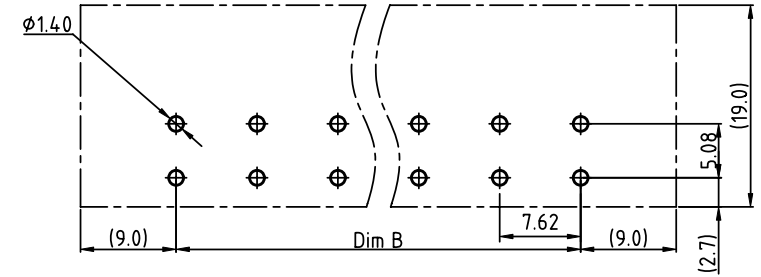
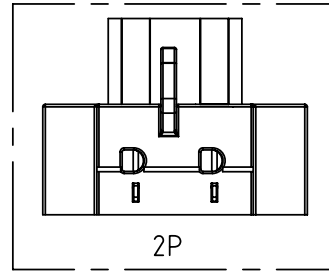
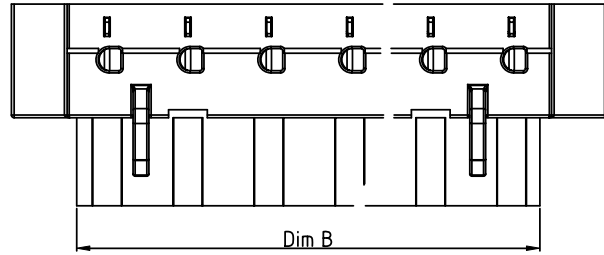
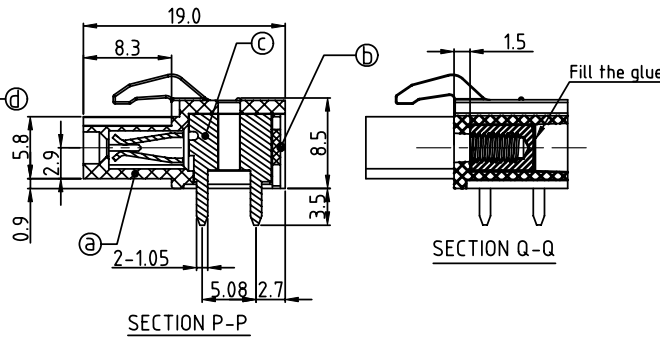
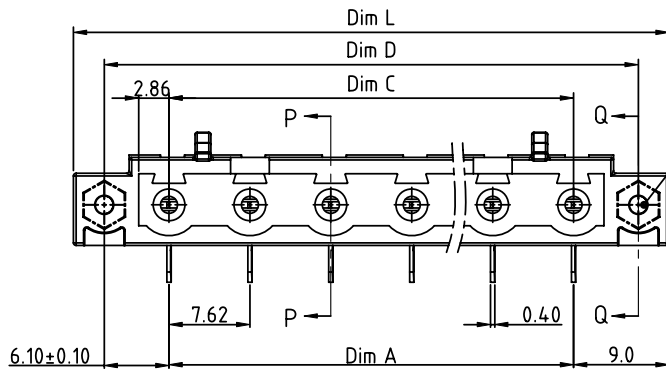


PRODUCT NUMBER	PITCH
V7xx02x100J0G	7.62 mm



RECOMMENDED P.C.B LAYOUT
TOP VIEW



Materials

- Item ① Terminal body: Thermoplastic (UL94V-0)
- Item ② Terminal Cover: Thermoplastic (UL94V-0)
- Item ③ Female contact: High conductivity copper, Tin plated
- Item ④ Flange Nut: Brass M2.5

Electrical cULus

- Voltage rating: 300VAC
- Current rating: 20A
- Withstanding Voltage: 1.6kv
- Operating temperature: -40°C to +115°C
- Soldering temperature: 260°C±5°C/5 Sec
- Safety Approval: cULus

N=Number of poles
 Dim L=(N-1)×7.62+18
 Dim A=(N-1)×7.62
 Dim B=(N-1)×7.62+5.72
 Dim C=(N-1)×7.62
 Dim D=(N-1)×7.62+12.2

poles	Tolerance
2-6p	±0.15
7-12p	±0.20
13-16p	±0.30

PART NO.: V7 xx 0 2 x 1 00J0 G

Solid block	0	Black (RAL9005)	RoHS compliant (lead<4%) In copper Alloy
No. of poles	2	Red (RAL3001/D)	
02 2poles	3	Orang(RAL2011/P)	
03 3poles	4	Yello(RAL1018/A)	
...	5	Green(RAL6018/T)	
16 16poles	6	Blue (RAL5015/A)	
	8	Grey(RAL7035/D)	
	9	White(RAL1102)	
	C	Green(RAL6018/U)	

mat'l. code		surface ASME Y14.5	tolerance ASME Y14.5	projection	product family
ltr ecn no dr date		tolerances unless otherwise specified		MM	TERMINAL BLOCK
		angles	X.±0.5	scale	title
		parallel	X.X±0.3		TERMINAL BLOCK
		X°±1°	X.XX±0.1		PLUGGABLE PCB PLUG, WITH FLANGE, RIGHT ANGLE
		dr	EVIN ZHONG 050314	FCI	dwg no
		enrg	EVIN ZHONG 050314		sheet 1 of 1
		chr	HANKE FENG 050314		size
		appd	SHI JUN 050314		A4
sheet index	revision sheet	A	1		type CUSTOMER Drawing